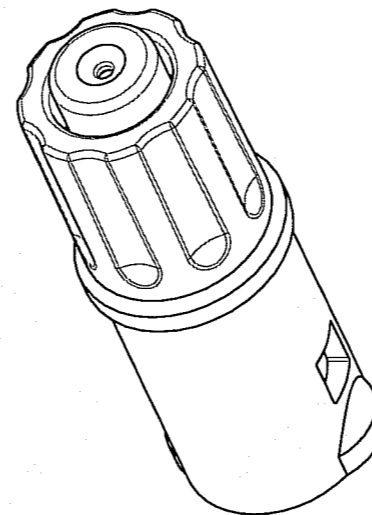
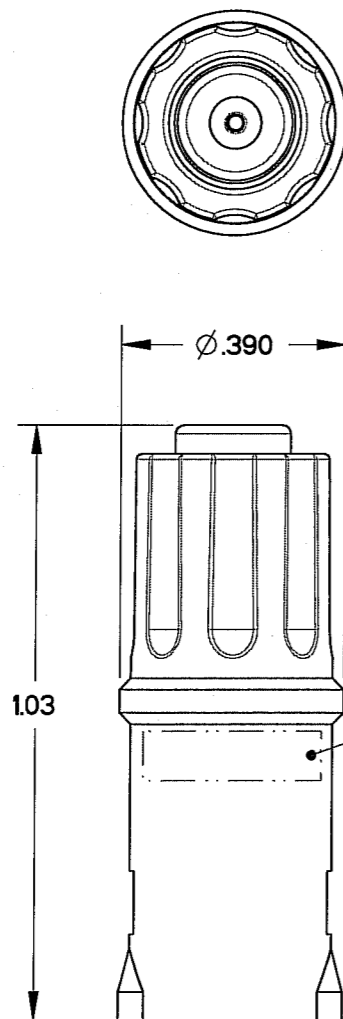


REV	ECN	DESCRIPTION	APP'D
-	5791		J. TON
A	6109	NOTE CHANGE	<i>JT 8/29/07</i>



PART MARKING AS FOLLOWS:
 APCD YYWW
 SJS7202XX
 DATE CODE
 SEE TABLE 1 FOR FULL PART NUMBERS

NOTES:

- MATERIALS:
 HOUSING: PA 6/6
 CONTACT RETAINER: STAINLESS STEEL
 GROMMET: SILICONE RUBBER PER A-A-59588
 SEAL: SILICONE RUBBER PER A-A-59588
- OPERATING RANGE: REFER TO SJS720100
- ACCEPTS (1) M39029/58-363 PIN CONTACT (NOT INCLUDED)
- CONTACT RETENTION - MUST LOCK 25 LBS
- LOCKING FEATURE - NO BREAK 25 LBS
- MATES WITH SJS720100

TABLE 1 - PART# SCHEME	
APCD PART#	COLOR
SJS720200	GREEN
SJS720210	YELLOW

DIMENSIONS ANSI Y14.5M UNITS: INCHES Pro/E FILE	TOLERANCES .XX ±0.01 .XXX ±0.005 ANGLES ±1.0°	PROJECTION 	Amphenol Pcd SPECIFICATION DRAWING			TITLE IN-LINE JUNCTION SINGLE WIRE, SIZE 20 RECEPTACLE		
			ENGR S. STONE 01/27/06	CHKD <i>[Signature]</i> 8/29/07		SIZE B	DWG NO. SJS720200	REV A
ORIGINAL 	THIS DOCUMENT CONTAINS PROPRIETARY INFORMATION WHICH IS THE CONFIDENTIAL PROPERTY OF AMPHENOL PCD INC., PEABODY, MA			APP'D <i>[Signature]</i> 8/29/07	CODE: 58982	SCALE: 3:1	SHEET 1 OF 1	