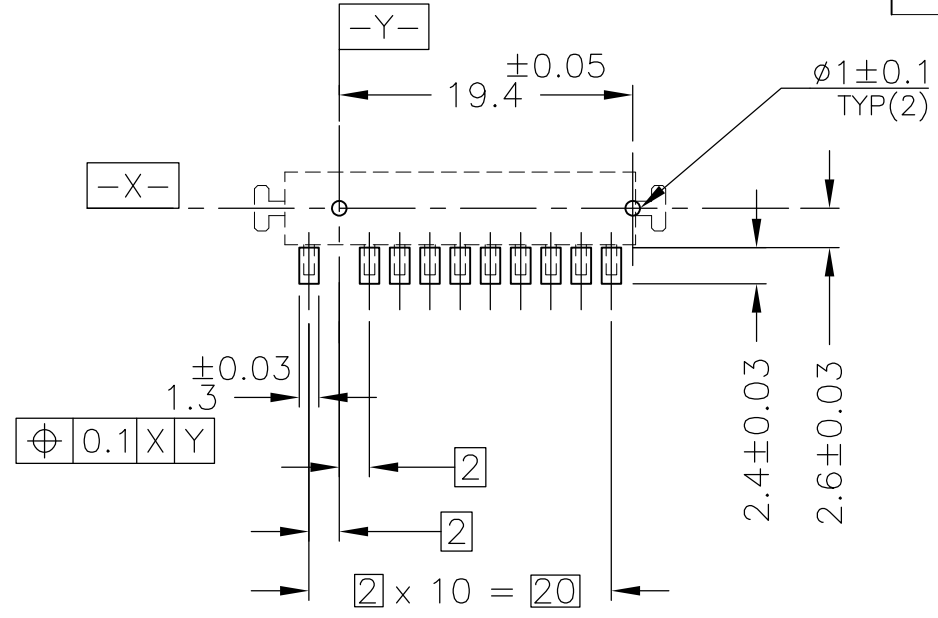
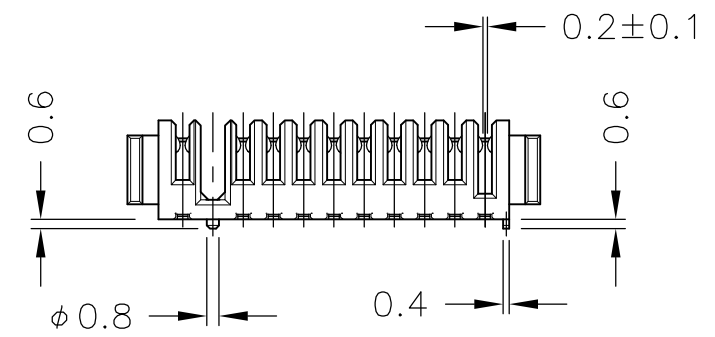
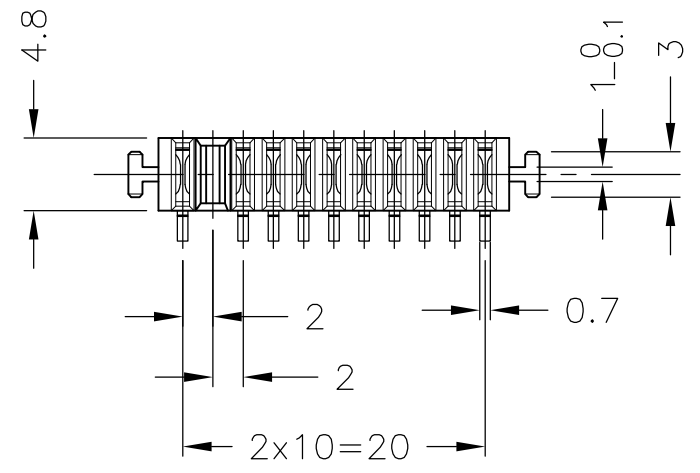
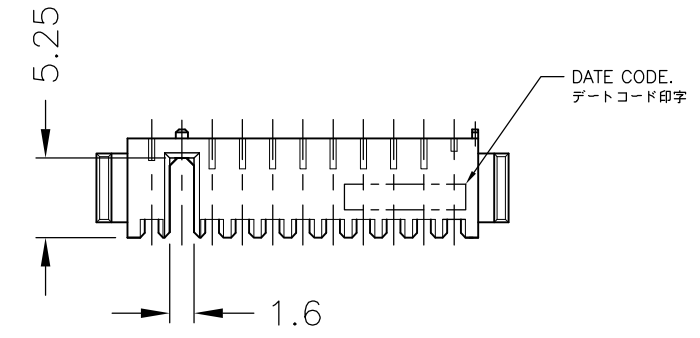
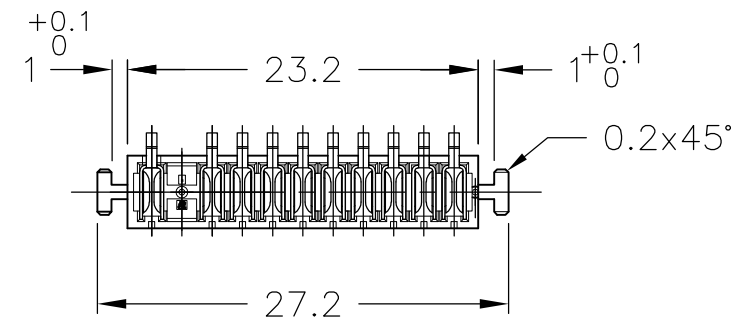
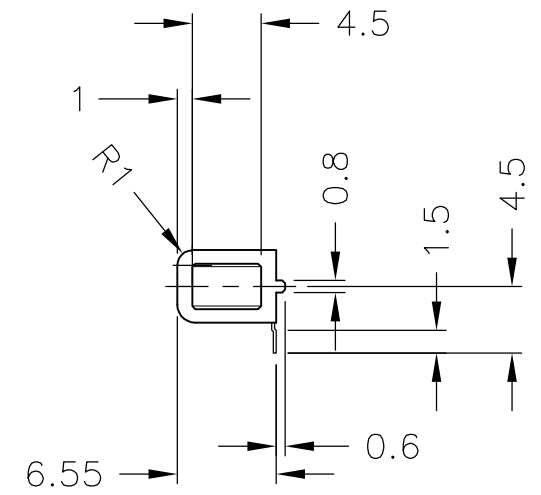


THIS DRAWING IS UNPUBLISHED. RELEASED FOR PUBLICATION
 © COPYRIGHT 2001 BY TYCO ELECTRONICS CORPORATION. ALL RIGHTS RESERVED.

LOC	DIST	REVISIONS					
J		P	LTR	DESCRIPTION	DATE	DWN	APVD
			D	REVISED PER ECR-10-012533	16JUN10	HMR	TM



基板取付推奨寸法
 RECOMMENDED P.C. BOARD LAYOUT
 P.C. BOARD THK 0.8~1.2
 (VIEW FROM CONNECTOR MOUNTING SIDE)



- △1 材料
 - ・ハウジング：熱可塑性樹脂、UL94V-O、黒
 - ・コンタクト：銅合金
- △2 仕上げ
 - ・コンタクト：全面ニッケル下地めっき
 - 接触部 金めっき 0.3μm 以上
 - 半田付け部 金フラッシュめっき
- △1 MATERIAL
 - ・HOUSING：THERMOPLASTIC RESIN
 - UL94V-O、BLACK
 - ・CONTACT：COPPER ALLOY
- △2 FINISH
 - ・CONTACT：Ni ALL OVER UNDER PL.
 - GOLD PL. (0.3μm MIN.) AT CONTACT AREA
 - Au FLASH PL. AT LEAD AREA

AS SHOWN	1612964-4
SUPERSEDED BY 1612964-4	1612964-3
REMARK	P/N

THIS DRAWING IS A CONTROLLED DOCUMENT.		DWN	T.KATANO	30JAN03
DIMENSIONS: 単位：mm		CHK	K.IKEGAMI	30JAN03
TOLERANCES UNLESS OTHERWISE SPECIFIED: 一般公差		APVD	K.KODAIRA	30JAN03
0 PLC ± 0.3		PRODUCT SPEC	108-5850	
1 PLC ± 0.3		APPLICATION SPEC	取付適用規格	
2 PLC ± 0.3		WEIGHT		
3 PLC ± 0.3		CUSTOMER DRAWING		
4 PLC ± 0.3				
ANGLES ± 3'				
MATERIAL	△1			
材料				
FINISH	△2			
仕上				

Tyco Electronics Corporation		Kawasaki, Japan	
2mm PITCH BATTERY CONNECTOR RECEPTACLE ASSEMBLY			
SIZE	A3	CAGE CODE	00779
DRAWING NO	G-1612964		
RESTRICTED TO			
SCALE	2:1	SHEET	1 OF 1
REV	D		