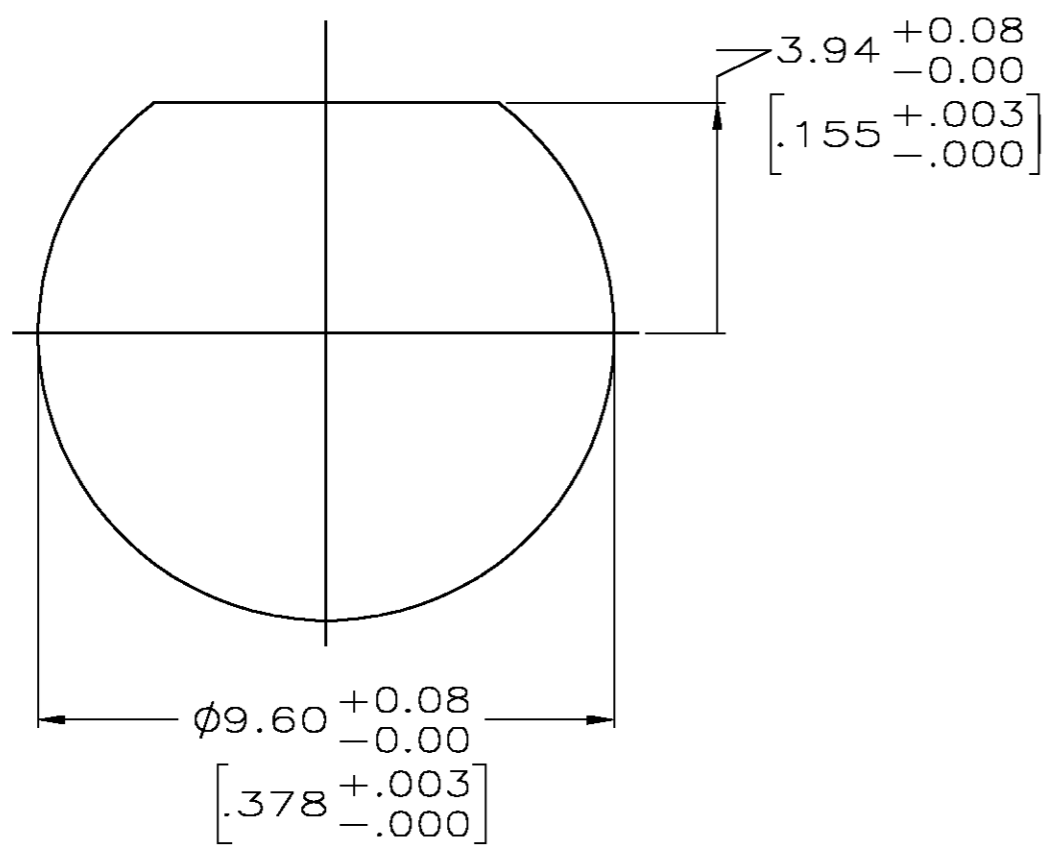
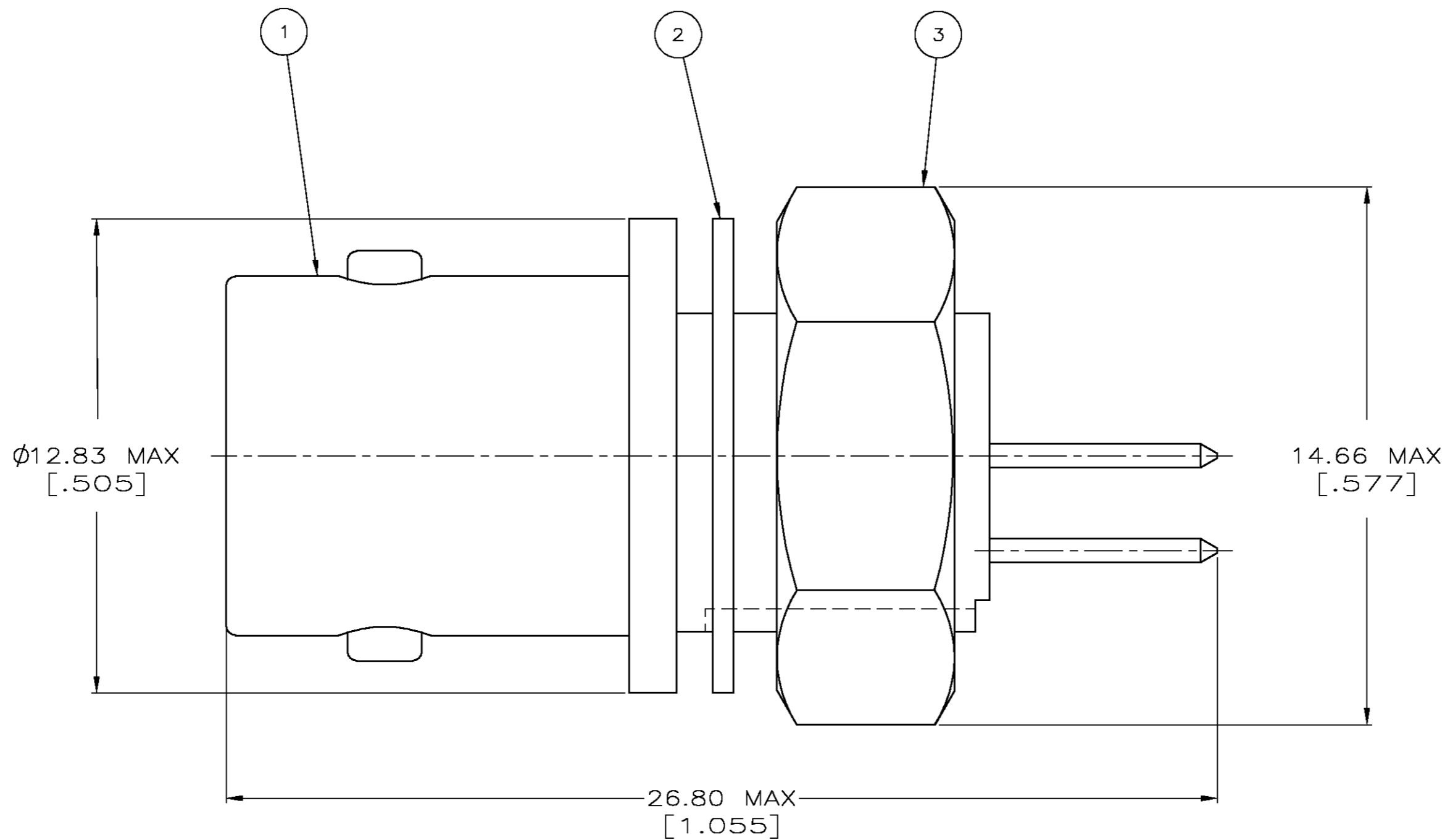


THIS DRAWING IS UNPUBLISHED. RELEASED FOR PUBLICATION  
 © COPYRIGHT BY TYCO ELECTRONICS CORPORATION. ALL RIGHTS RESERVED.

LOC	DIST	REVISIONS					
AJ	16	P	LTR	DESCRIPTION	DATE	DWN	APVD
		B		EC PER OS14-0192-04	12NOV2004	JGH	JL



RECOMMENDED PANEL CUTOUT

9-414815-0	1-329492-1	414195-1	414194-1
③ JAM NUT QTY=1	② LOCK WASHER QTY=1	① SOLDER RCPT, ASSEMBLY QTY=1	PART NUMBER
THIS DRAWING IS A CONTROLLED DOCUMENT.		Tyco Electronics Corporation Harrisburg, PA 17105-3608	
DIMENSIONS: INCHES	TOLERANCES UNLESS OTHERWISE SPECIFIED:	NAME SOLDER RECEPTACLE, ISOLATED BNC	
	0 PLC ± -	SIZE	RESTRICTED TO
	1 PLC ± -	A2	-
	2 PLC ± -	CAGE CODE	DRAWING NO
	3 PLC ± -	00779	C=414194
	4 PLC ± -	SCALE	SHEET
	ANGLES ± -	8:1	1 OF 1
MATERIAL	FINISH	WEIGHT	REV
-	-	-	B
CUSTOMER DRAWING		SCALE 8:1 SHEET 1 OF 1 REV B	