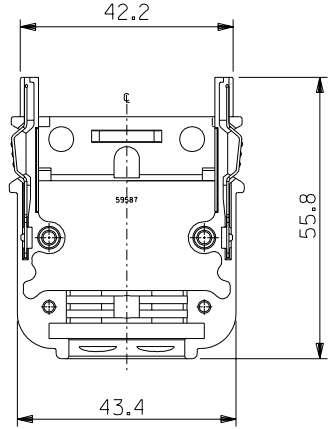
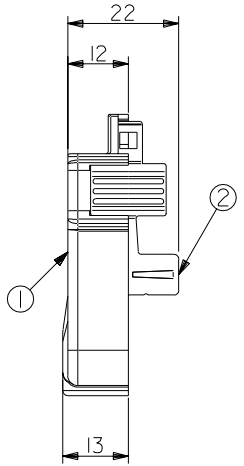
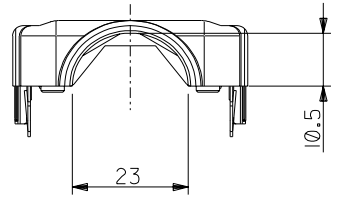
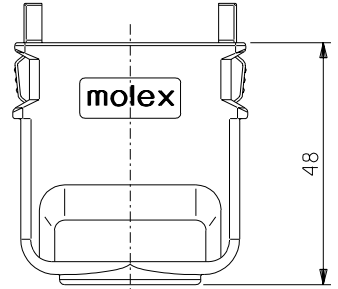
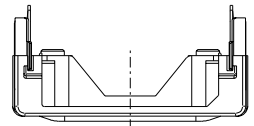


DWG. NO.  
SD-59587-003



注記  
NOTES

1. 材質  
MATERIAL  
① カバー A : 亜鉛合金, ニッケルメッキ  
COVER A : ZINC ALLOY, NI PLATING  
② スプリングラッチ : ステンレス鋼 t0.5  
SPRING LATCH : STAINLESS STEEL t0.5
2. 適用プラグカバー B : 59588-5000  
APPLICABLE PLUG COVER B : 59588-5000

59587-5010	59587-***1*
MATERIAL NO.	MODEL NO.

DO NOT SCALE DRAWING

EC NO. DRWN: CHK: APPR:	EC NO. DRWN: CHK: APPR:	EC NO. DRWN: CHK: APPR:	REVISED '02/06/03 EC NO. J2002-3016 DRWN: S.AKIYAMA CHK: J.MIYAZAWA APPR: YO.ITO	RELEASED '02/02/04 EC NO. J2002-1828 DRWN: S.AKIYAMA CHK: J.MIYAZAWA APPR: YO.ITO
A				

MATERIAL 材料	注記参照 SEE NOTES
FINISH 仕上り	#
WIRE RANGE 適用線径範囲	#
INS. RANGE 被覆外径	#

GENERAL TOLERANCES: (UNLESS SPECIFIED) 一般公差	SCALE	DESIGN UNITS
10 UNDER 未満	1:1	<input checked="" type="checkbox"/> mm <input type="checkbox"/> INCH
10 OVER 30 UNDER 以上 未満		
30 OVER 以上		
ANGLE 角度		

DRAWN BY & DATE <i>S. Akiyama</i> '02/01/22	TITLE:
CHECKED BY & DATE <i>J. Mizuno</i> '02/02/04	COMPACT ROBOT CONN. 50CKT. PLUG COVER A
APPROVED BY & DATE <i>Y. Ito</i> '02/02/04	MOLEX INCORPORATED
CAD FILENAME 59587003.S01	MATERIAL NO. SEE CHART

DIMENSIONS:		SHT	REV
<input type="checkbox"/> mm <input type="checkbox"/> INCH	<input checked="" type="checkbox"/> mm ONLY		REVISE ON CAD ONLY
THIRD ANGLE PROJECTION			
MATERIAL NO. DRAWING NO.		SHEET NO.	
SEE CHART SD-59587-003		1 OF 1	

THIS DRAWING CONTAINS INFORMATION THAT IS PROPRIETARY TO MOLEX INCORPORATED AND SHOULD NOT BE USED WITHOUT WRITTEN PERMISSION. SIZE B