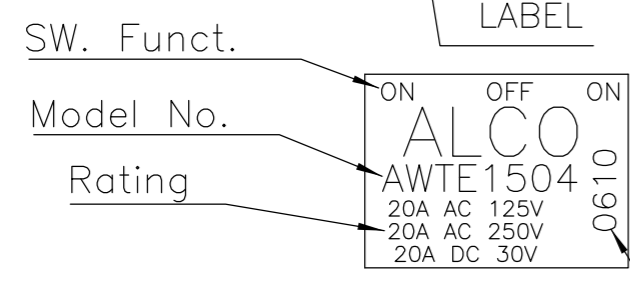
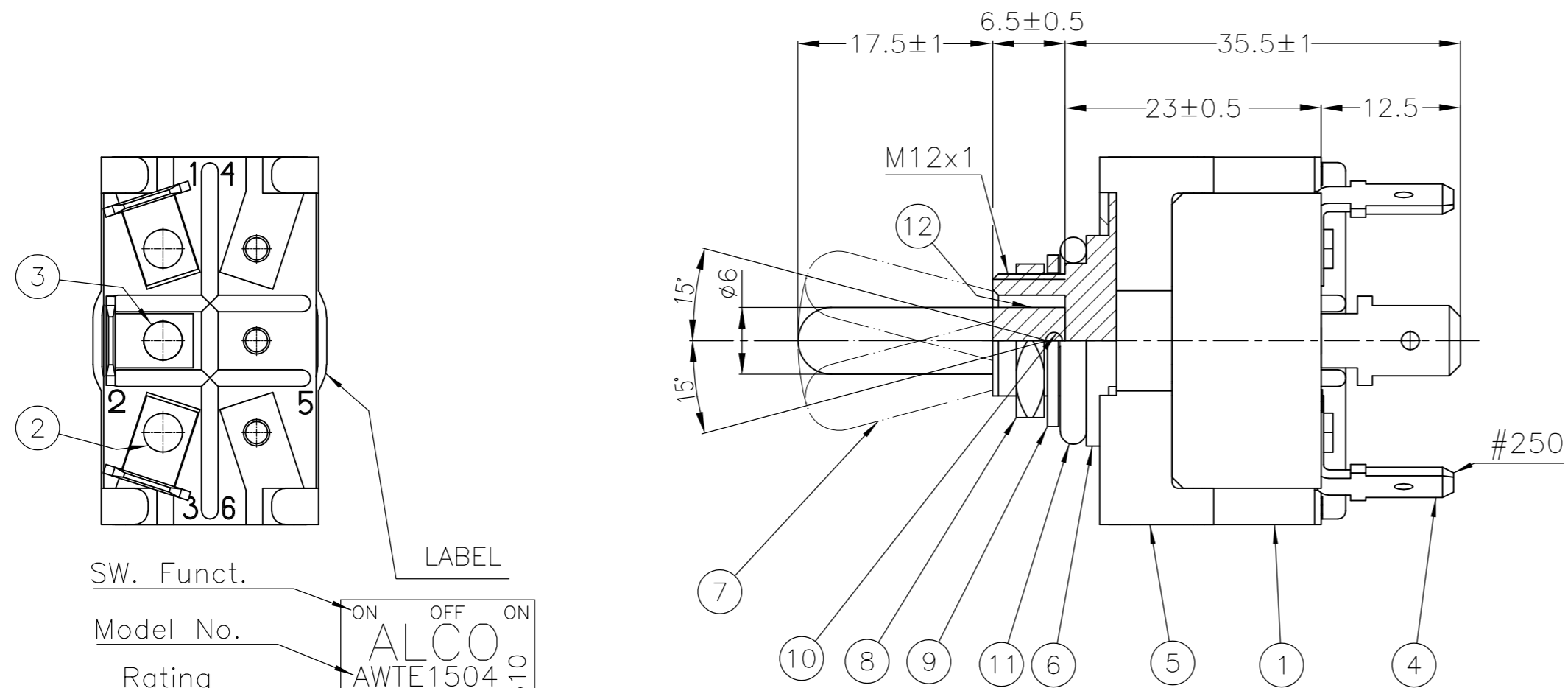


THIS DRAWING IS UNPUBLISHED. RELEASED FOR PUBLICATION
 © COPYRIGHT - By - ALL RIGHTS RESERVED.

REVISONS		DATE	DWN	APVD
P	LTR	DESCRIPTION		
C		REVISED PER ECO-13-015855	10OCT2013	KH RH



ON OFF ON
ALCO
AWTE1504
 20A AC 125V
 20A AC 250V
 20A DC 30V

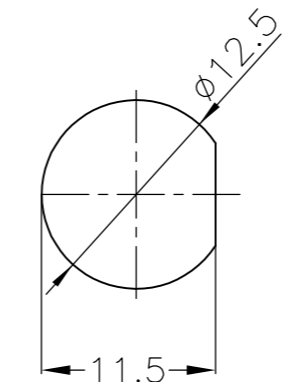
DATE CODE

EXAMPLE
 0610
 Year Month
 2006 Oktober

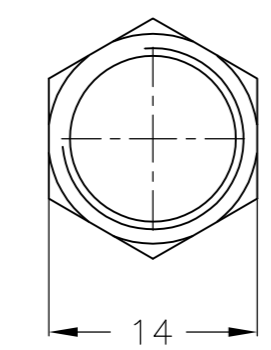
- 1 OPERATING TEMPERATURE -20°C TO +70°C
- 2 OPERATING FORCE MAX 29,4N
- 3 ALL MATERIALS AND FINISHES COMPLY WITH ROHS DIRECTIVE

Specifications				
Rating	Initial Contact Resistance	Insulation Resistance	Dielectric Strength	Endurance
AC 125V 20A AC 250V 20A DC 30V 20A	MAX 10 milliohms at DC 2 ~ 4V 1A	MIN 1000 M Ohms at DC 500V	AC 1,5kV/1 min (AC 1,8kV/1 sec)	electrically 20.000 cycles at 20 cycles/min (rated load resistive) mechanically 40.000 cycles at 20 cycles/min

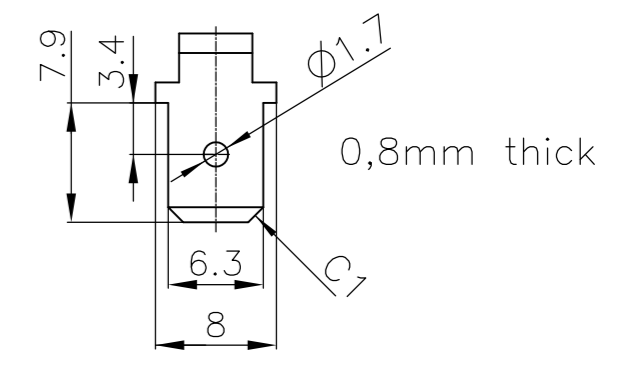
MOUNTING HOLE



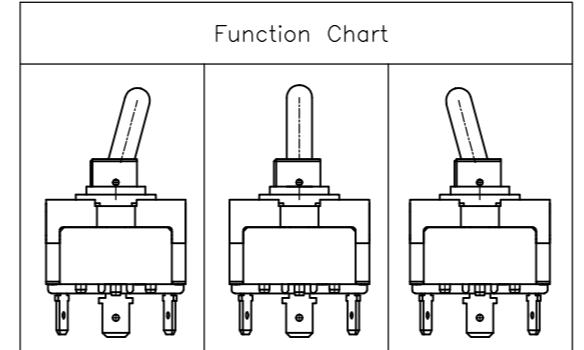
NUT (8)



TERMINAL #250



MATERIALS CHART			
1	Case	PM-EG	
2	F Contact	Silver alloy + C3602BD	
3	Common Contact	C3602BD	
4	Terminal	C2680R	
5	Frame	SPCC	EP-Fe/Zn4/CM
6	Bushing	Zinc alloy	EP-Zn/Cu5,Ni10b
7	Actuator	C3602BD-F	Ep-Cu/Ni3
8	Nut	C3602BD	Ep-Cu/Ni3b
9	L Washer	SK-5	Ep-Fe/Ni3b
10	Shaft	SUS	
11	Rubber seal	NBR	
12	Insert molded rubber	Silcon rubber	



TE PN	PART	Terminals 1 and 2		Terminals 2 and 3
7-6437630-0	AWTD1504	ON	NONE	ON
7-6437630-1	AWTE1504	ON	OFF	ON
7-6437630-4	AWTF1504	ON	NONE	(ON)
7-6437630-5	AWTG1504	(ON)	OFF	(ON)
7-6437630-6	AWTH1504	ON	OFF	(ON)

(ON) : momentary action
 OFF : mechanical position without electrical connection
 NONE : no mechanical position

THIS DRAWING IS A CONTROLLED DOCUMENT.

DIMENSIONS: mm

TOLERANCES UNLESS OTHERWISE SPECIFIED:

0 PLC	±	-
1 PLC	±	-
2 PLC	±	-
3 PLC	±	-
4 PLC	±	-
ANGLES	±	-

MATERIAL: - FINISH: -

TE Connectivity
**POWER TOGGLE SWITCH SINGLE POLE
 PANEL MOUNTING WATERTIGHT**

SIZE: A2 CAGE CODE: 00779 DRAWING NO: C=1968500 RESTRICTED TO: -
 WEIGHT: - SCALE: 1:1 SHEET: 1 of 1 REV: C