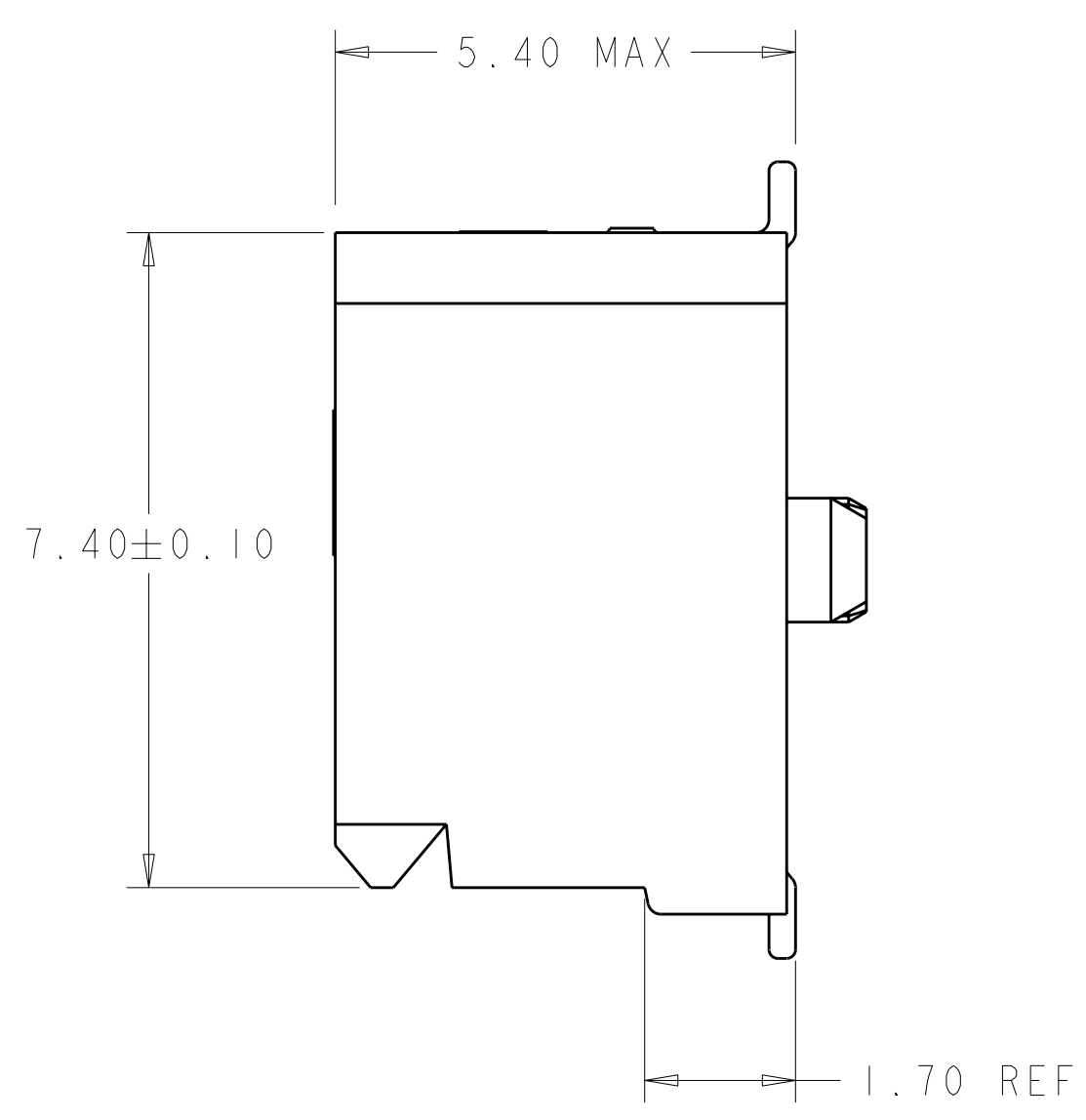
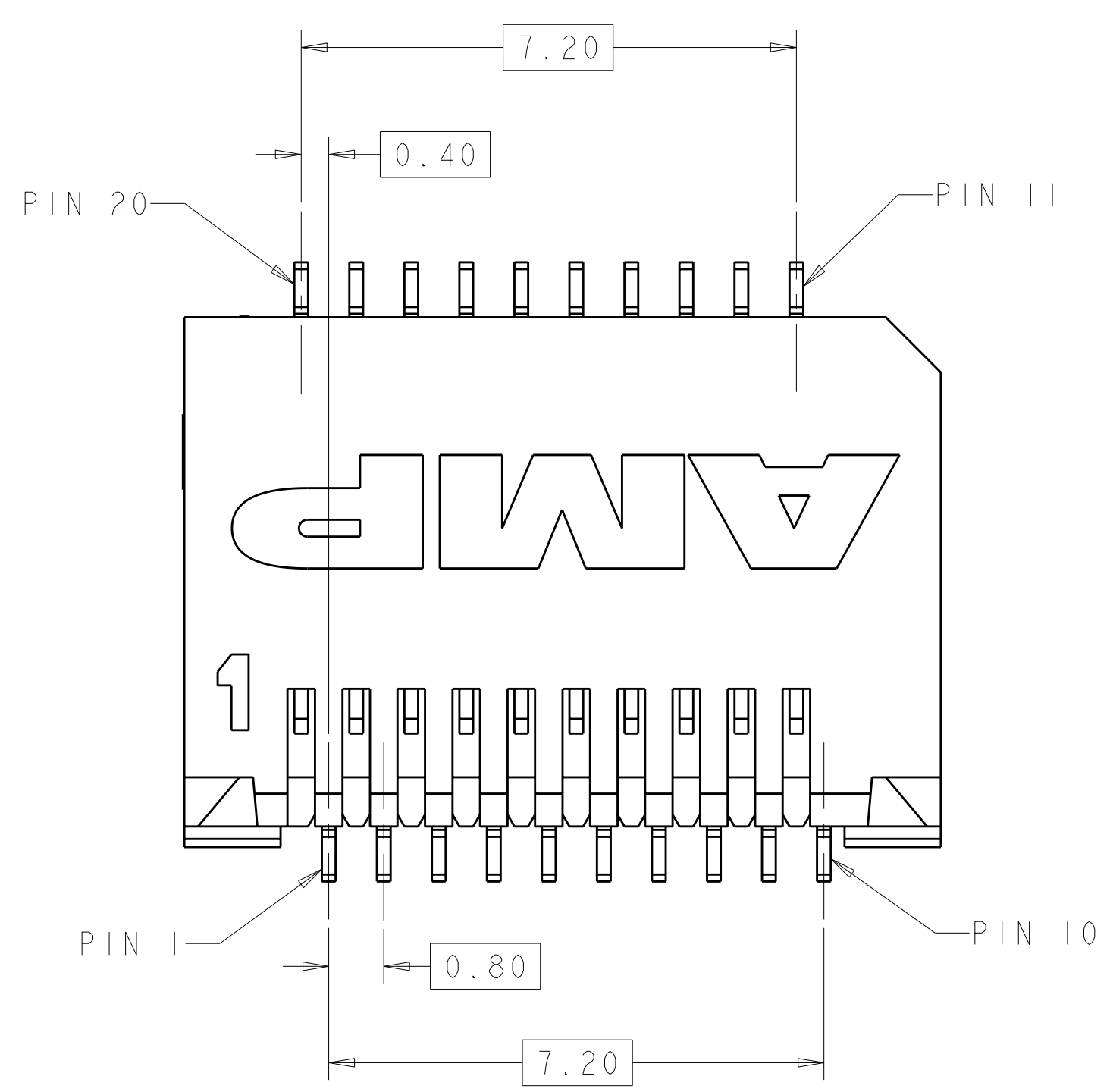
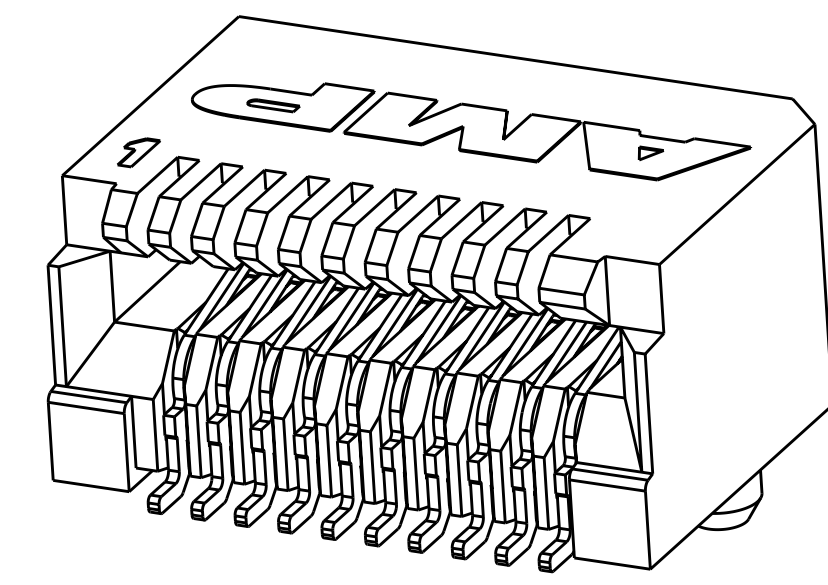


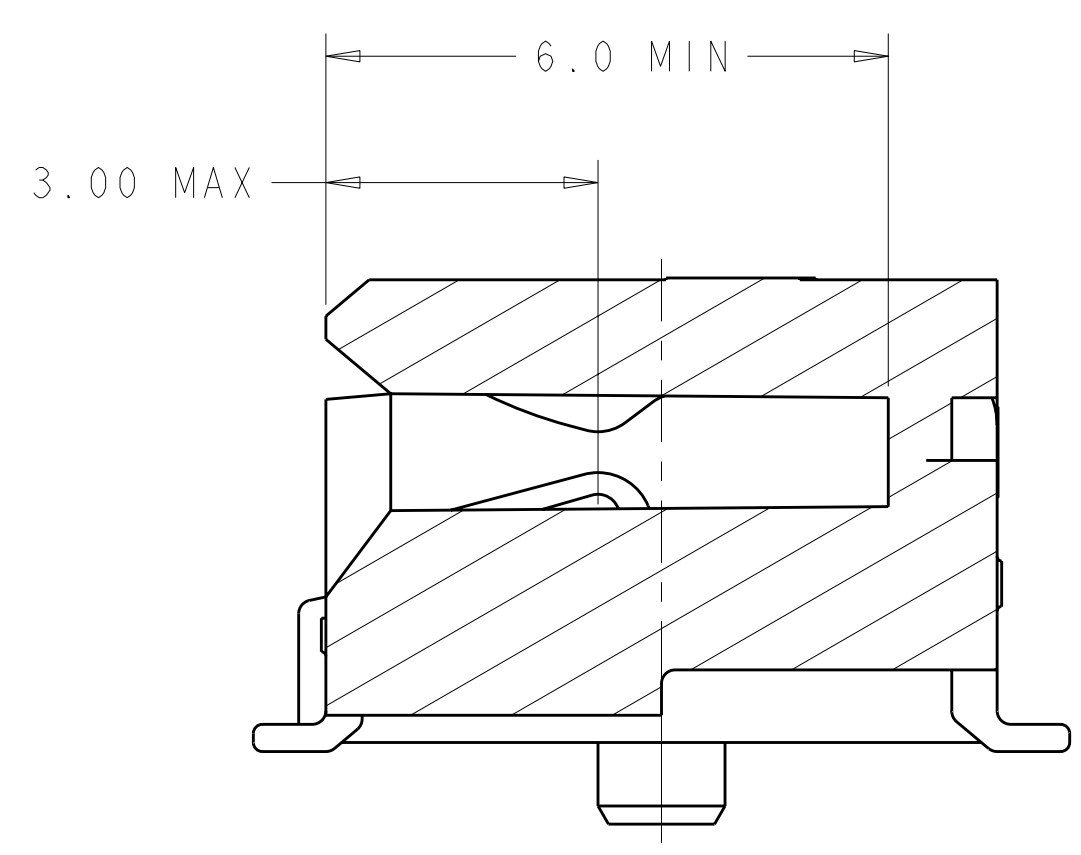
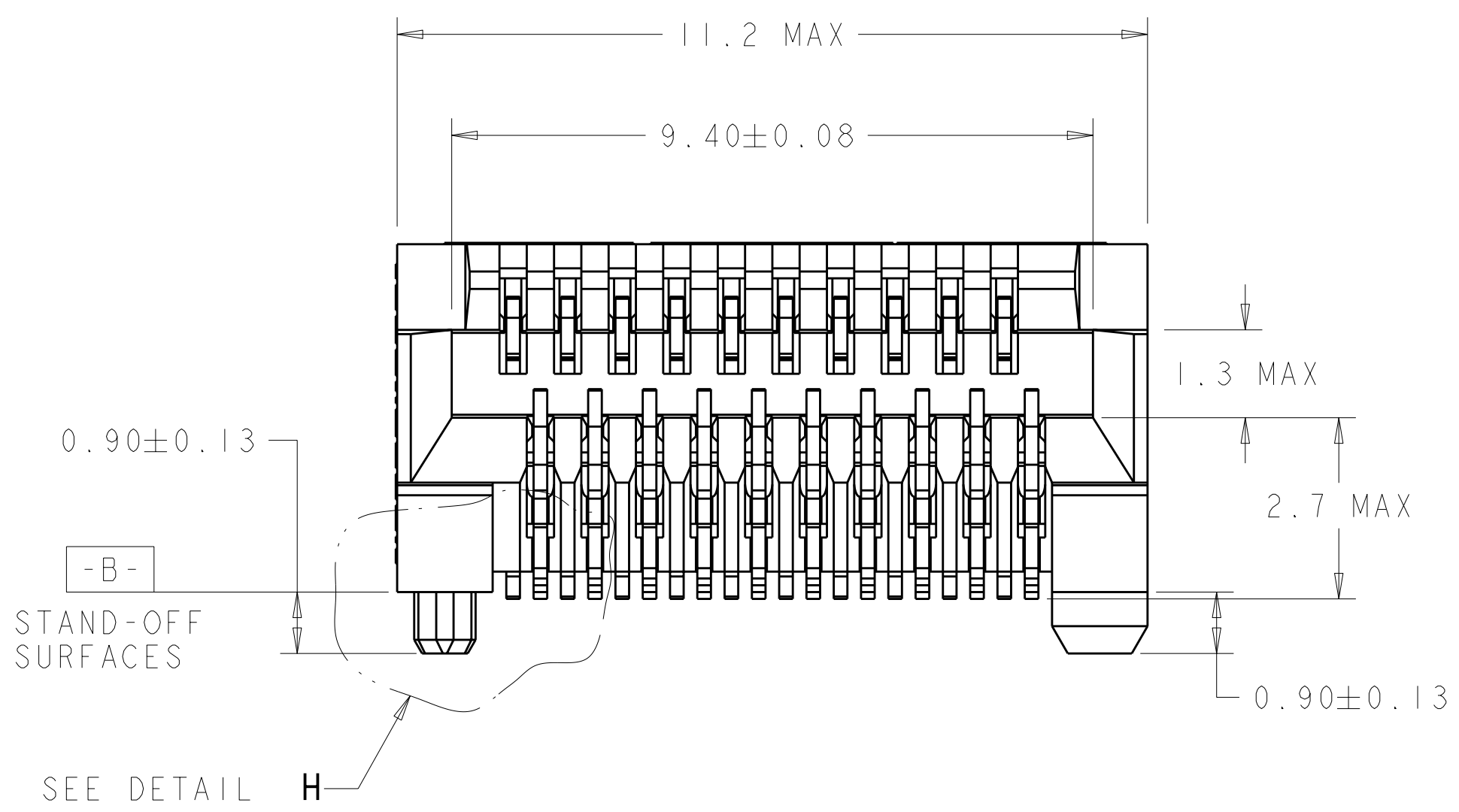
LOC	DIST	REV	DATE	BY	CHKD	APPD
ES	00	D1	17MAR2011	RK	HMR	



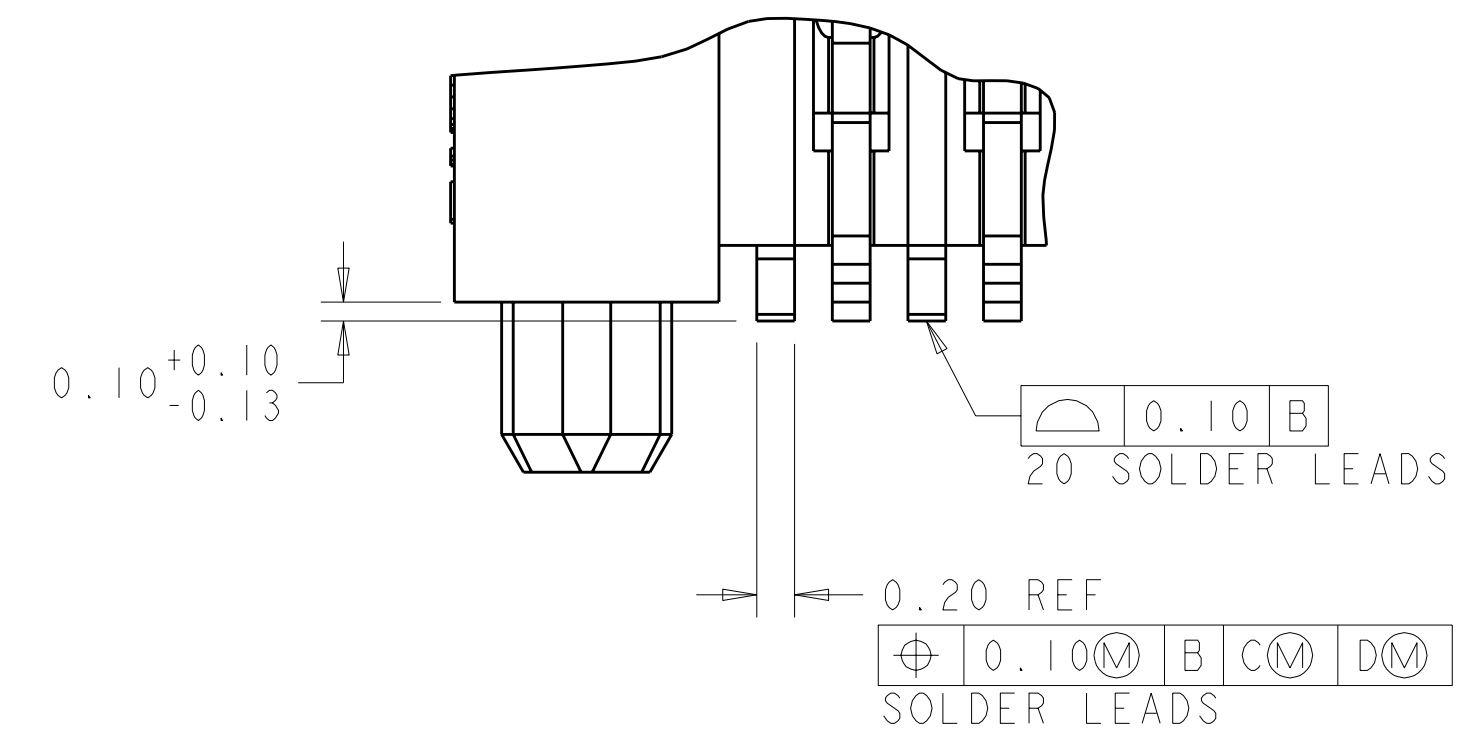
- PART COMPATIBLE WITH SFP MSA. REFER TO THE SFP MSA FOR DIMENSIONS NOT SHOWN ON THIS PRINT.
- HOUSING: HIGH TEMPERATURE LCP, UL 94V-0 RATED, BLACK. CONTACTS: PHOSPHOR BRONZE.
- CONTACTS: 0.00076 MIN GOLD IN CONTACT AREA, 0.00013 MIN GOLD ON SOLDER AREA, OVER 0.0038 MIN NICKEL UNDERPLATE ON ENTIRE CONTACT. LUBRICANT ON GOLD PLATE CONTACT AREAS.
- PACKAGED 480 PIECES PER REEL.
- DATUMS AND BASIC DIMENSIONS TO BE ESTABLISHED BY CUSTOMER, SEE DRAWING 1367034 FOR LAYOUT WHEN USED WITH 1367034-1 BOTTOM CAGE (STANDARD SFP APPLICATION).



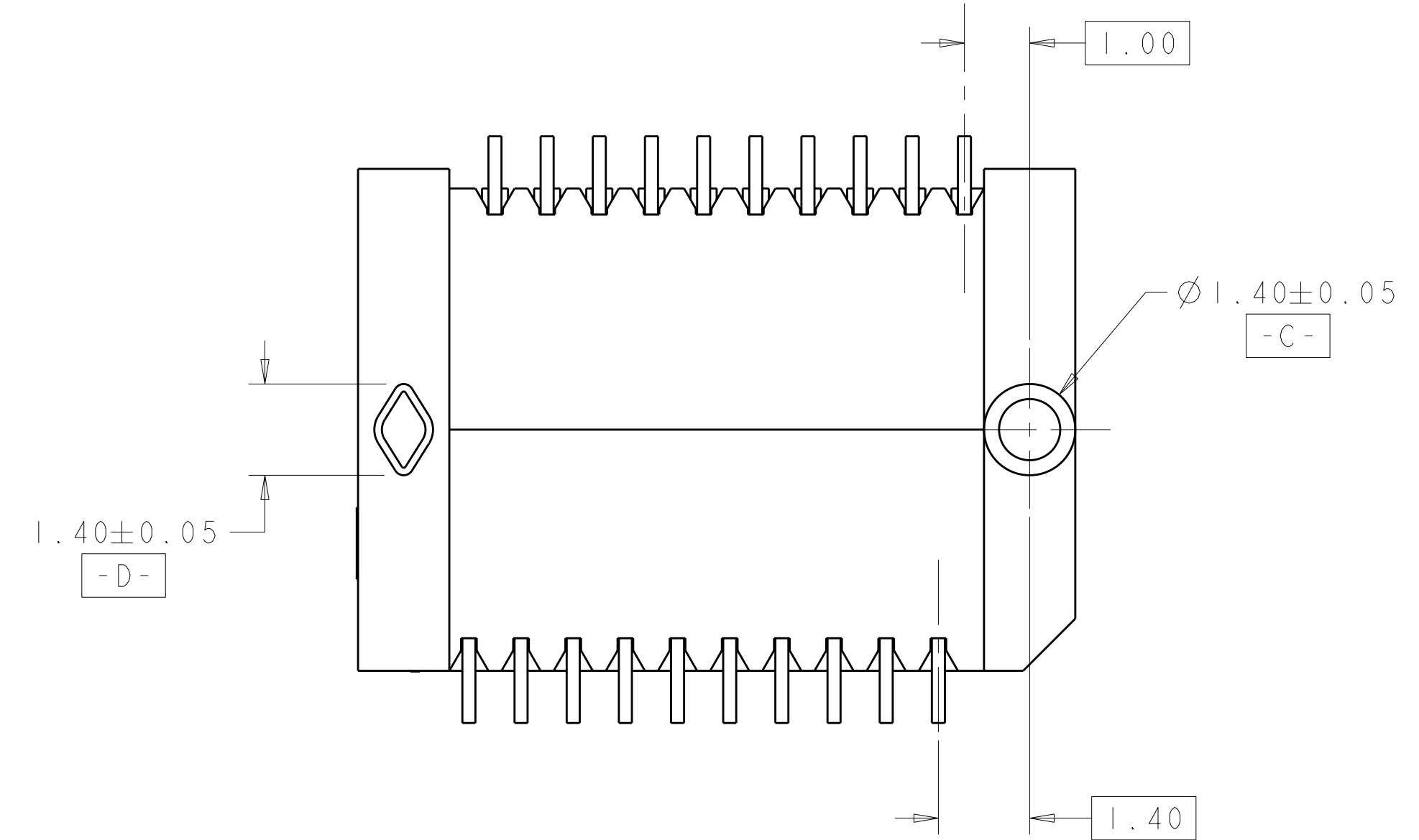
SCALE 8:1



SECTION Z-Z



DETAIL H  
SCALE 25:1



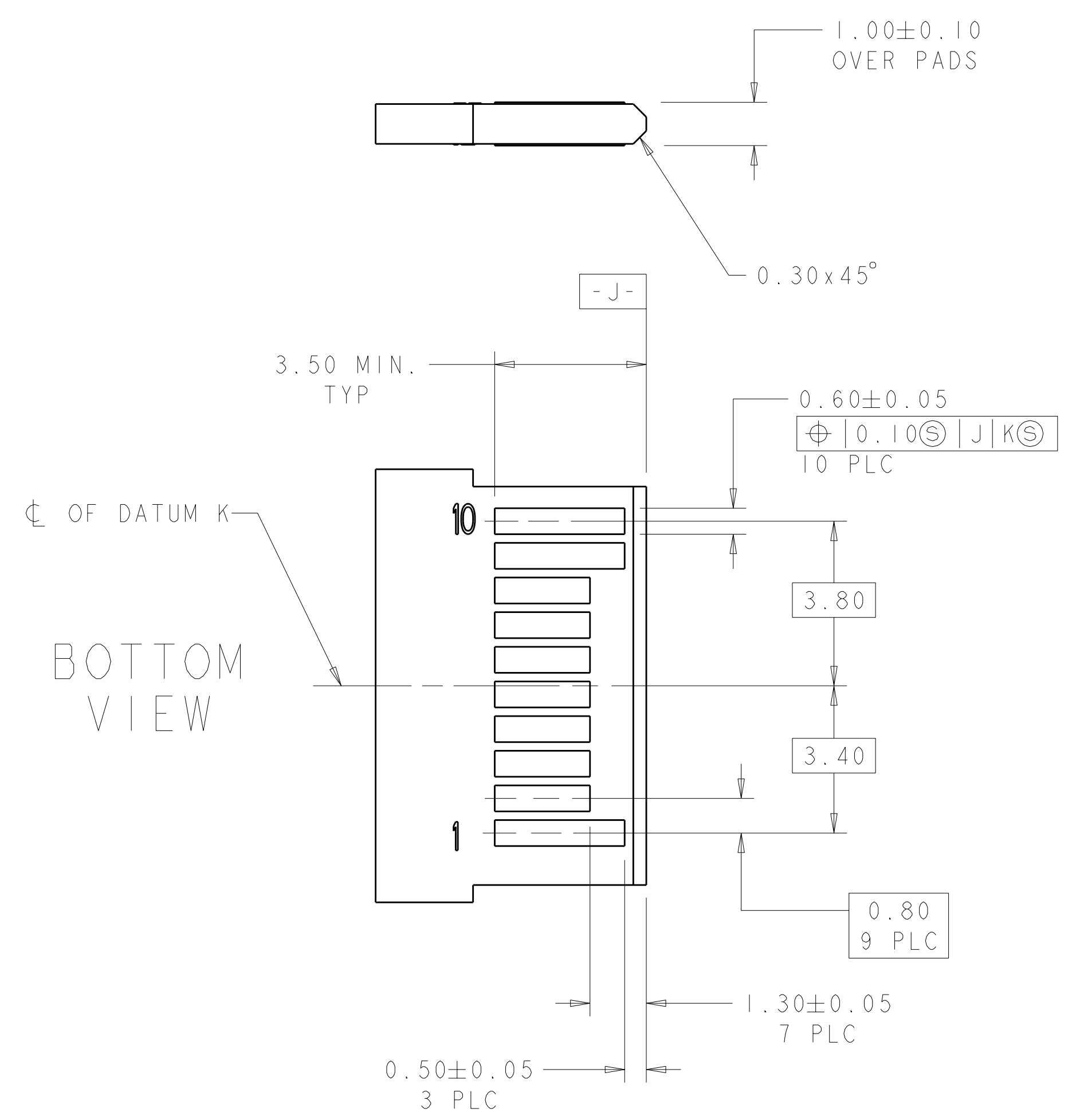
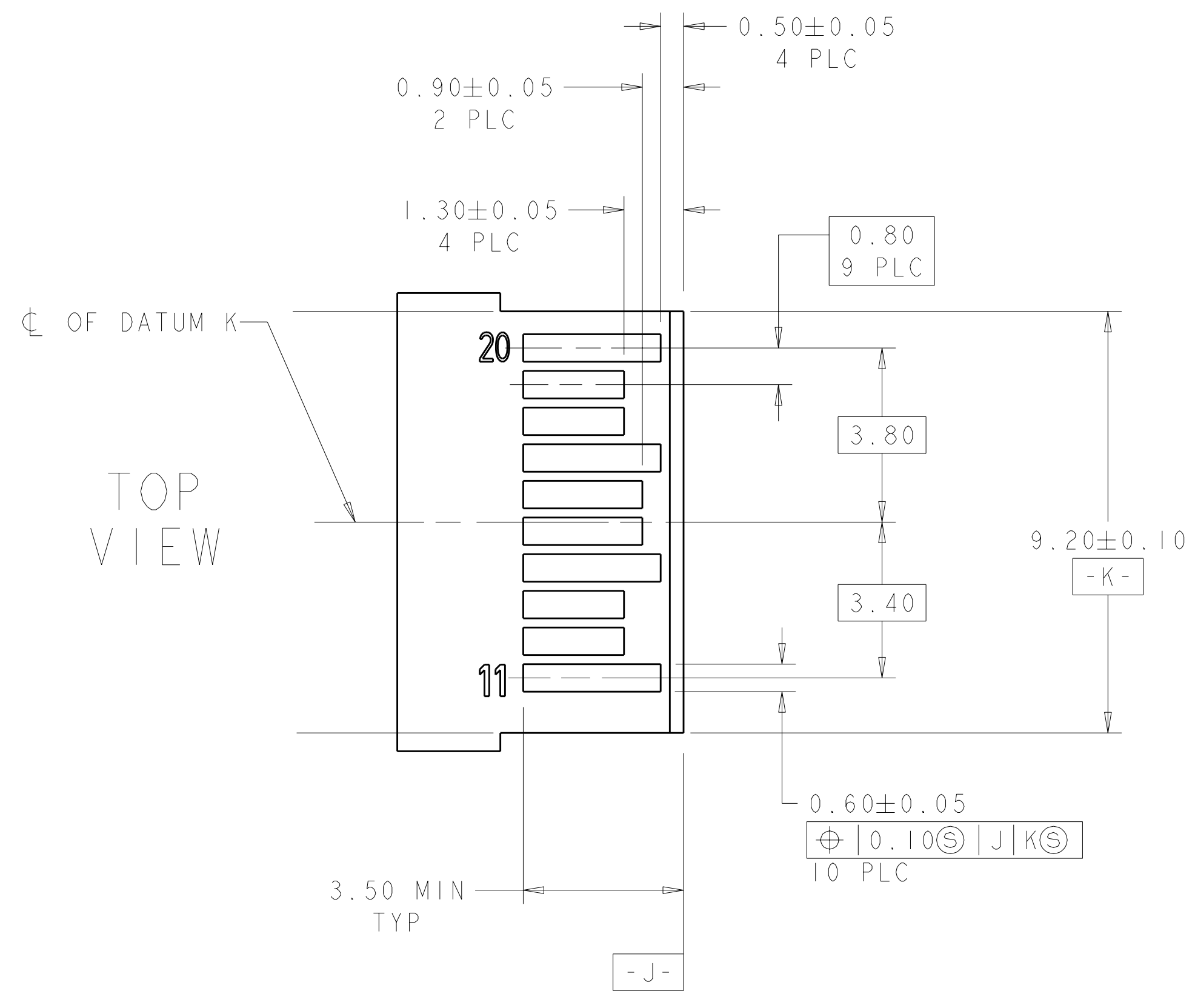
FINISH	1658197-1
PART NUMBER	

THIS DRAWING IS A CONTROLLED DOCUMENT.		DWN: J. GERAGE 25NOV02		REV: J. KOPPENHEFFER 02SEP03	
DIMENSIONS: mm		TOLERANCES UNLESS OTHERWISE SPECIFIED:		NAME: M. WALMSLEY 02SEP03	
9 PLC ±		1 PLC ±0.10		PRODUCT SPEC: 108-1949	
3 PLC ±		4 PLC ±		APPLICATION SPEC: 114-13017	
ANGLES ±		FINISH		SIZE: A100779	
MATERIAL		WEIGHT		CAGE CODE: C=1658197	
SEE TABLE		CUSTOMER DRAWING		RESTRICTED TO: -	
		SCALE: 12:1		SHEET: 1 OF 2	
				REV: D1	

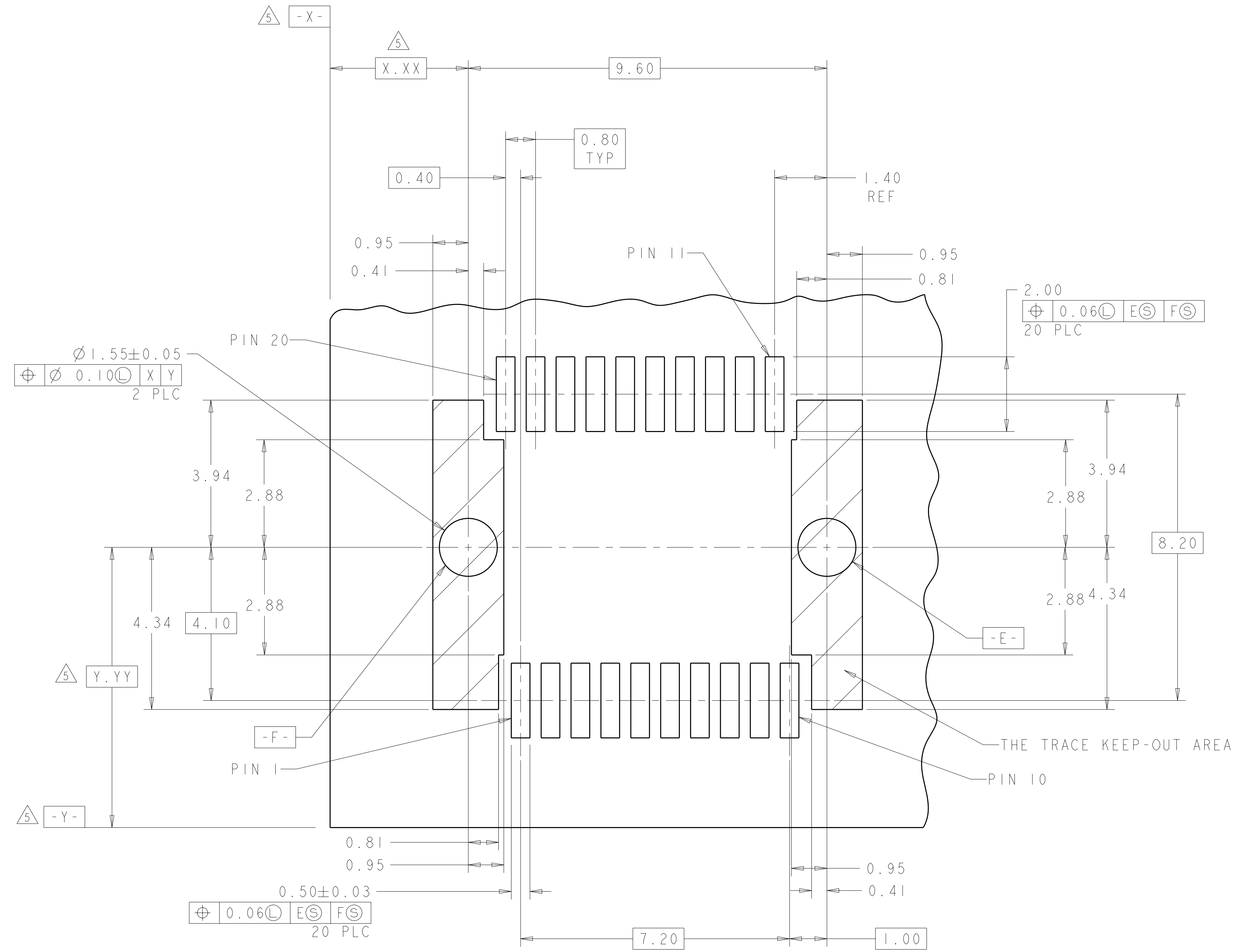
LOC	DIST	REV	DATE	BY	APPD
ES	00				

REVISIONS		DATE	BY	APPD
1	SEE SHEET 1			



RECOMMENDED LAYOUT DETAIL  
 MATING TRANSCEIVER PCB  
 SCALE 10:1



RECOMMENDED PCB LAYOUT DETAIL  
 CONNCTOR MOUNTING SIDE  
 SCALE 14:1

THIS DRAWING IS A CONTROLLED DOCUMENT.		DWN: J. GERACE 25NOV02		TE Connectivity	
DIMENSIONS: mm		CHK: J. KOPPENHEFFER 02SEP03			
TOLERANCES UNLESS OTHERWISE SPECIFIED:		APVD: M. WALMSLEY 02SEP03		NAME: PT CONNECTOR ASSEMBLY, LUBED, 20 POSITION SFP, RIGHT ANGLE 0.8MM PITCH	
9 PLC ±		PRODUCT SPEC		SIZE: CAGE CODE DRAWING NO. RESTRICTED TO	
2 PLC ±0.10		APPLICATION SPEC		A100779C=1658197	
5 PLC ±		WEIGHT		SCALE 12:1 SHEET 2 OF 2 REV D1	
4 PLC ±		CUSTOMER DRAWING			
ANGLES ±					
FINISH					