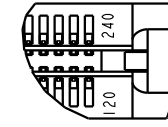
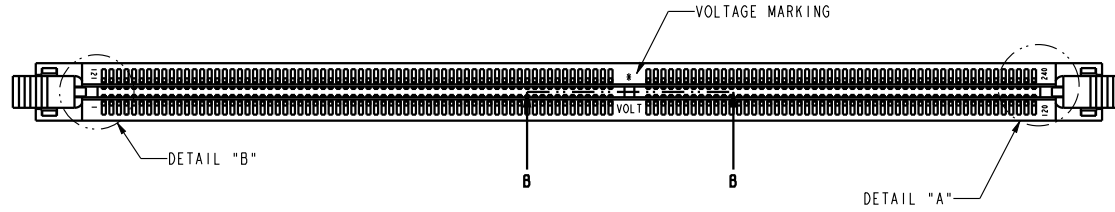
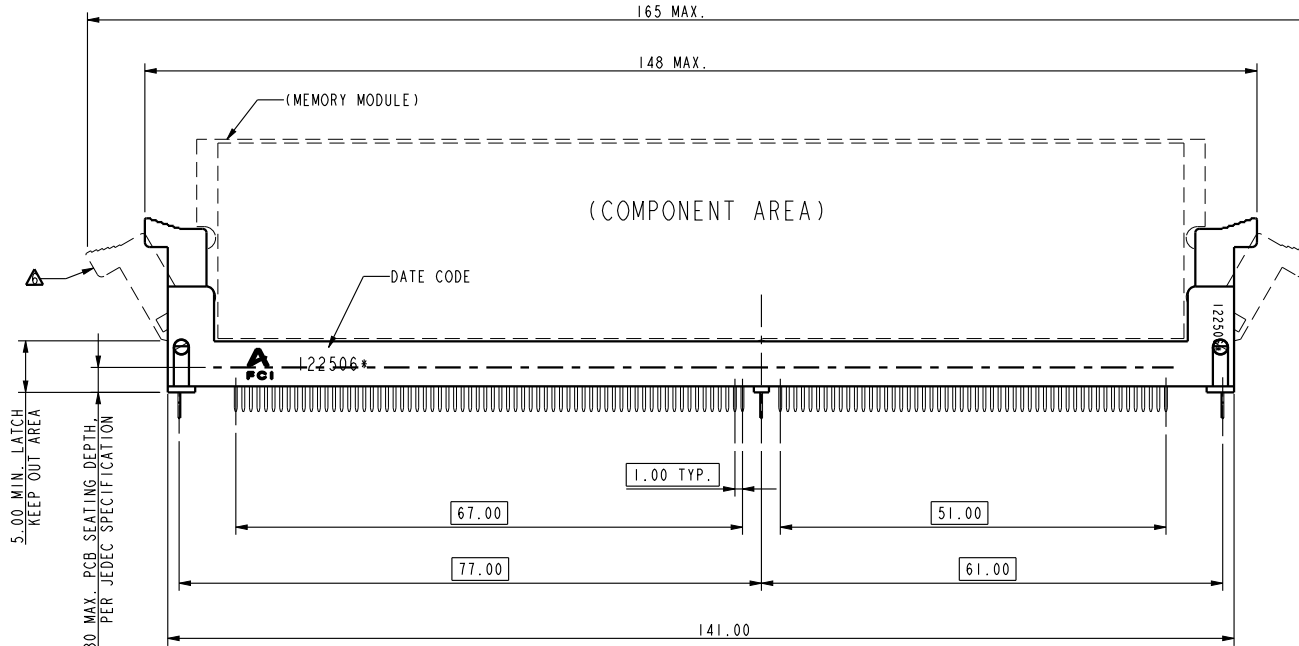


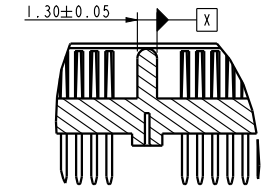
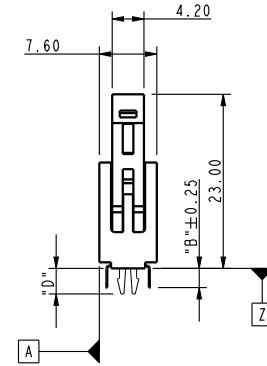
DETAIL "B"
SCALE 2.000



DETAIL "A"
SCALE 2.000

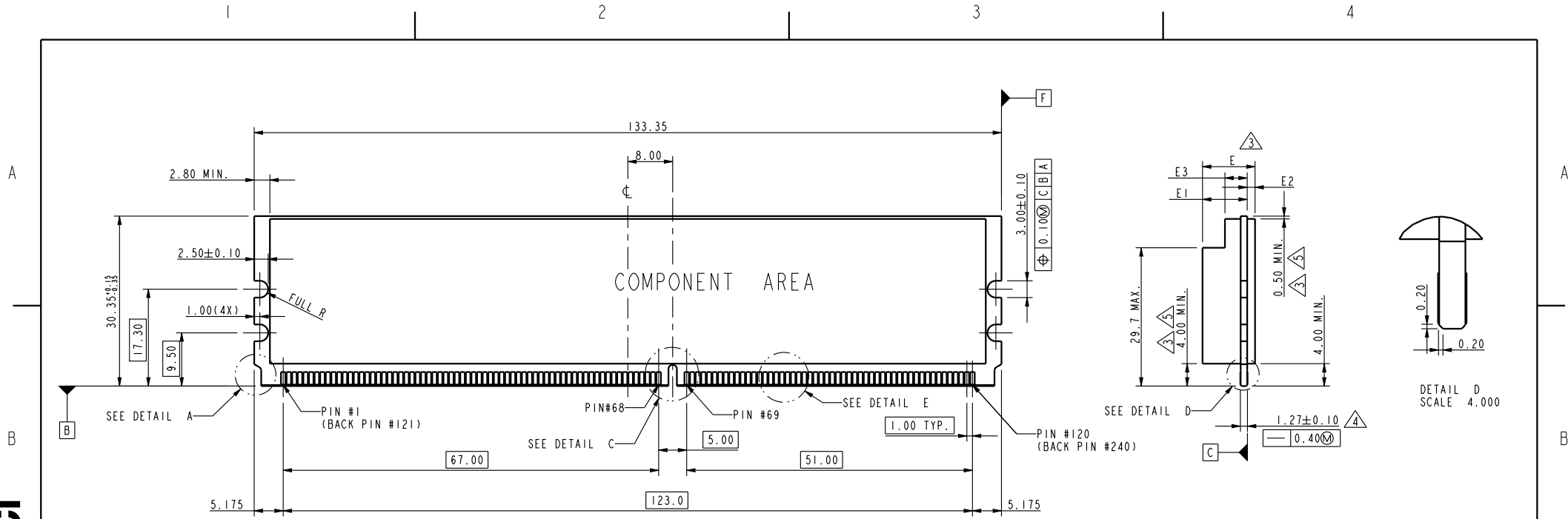


SCALE 1.000

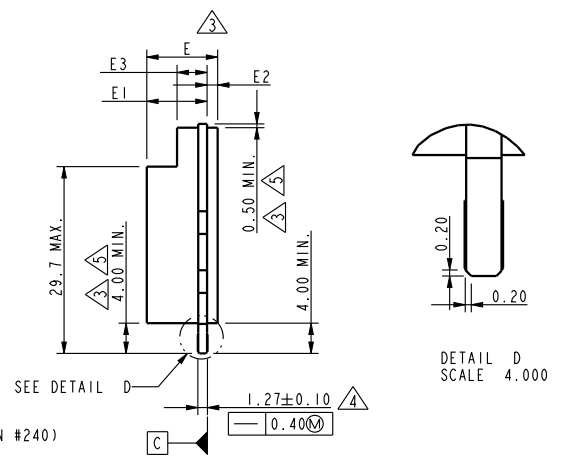


SECTION B-B
SCALE 2.000

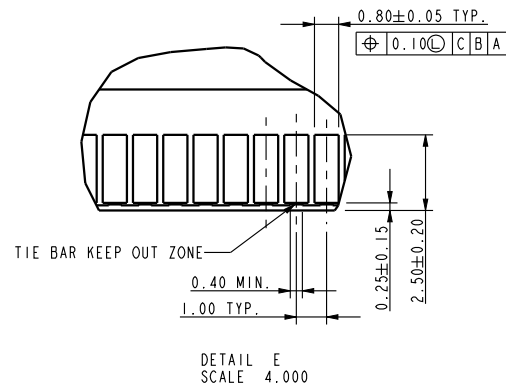
spec ref *		dr Rick Bian		2010/07/08		projection		MM		size A4		scale 0.500	
tolerance std		eng Jeny Ren		2018/01/26						ecn no ELX-DG-28708-1		rel level Released	
ISO 406 ISO 1101		chr -		-						product family		rev D	
TOLERANCES UNLESS OTHERWISE SPECIFIED		appr Nickor Zuo		2018/01/29		product family		dwg no 10057443		sheet 1 of 4			
surface		linear		0.X ±0.38		Amphenol FCI title DDR11 240P FBDIMM SMALL HEAD SOCKET cat. no. *		Product - Customer Drw		rev D			
ISO 1302 ✓		0.XX ±0.15		0.XXX ±0.13									
		angular		0° ±2°									



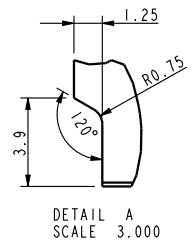
SCALE 1.000
RECOMMENDED MODULE LAYOUT (PER JEDEC MO-256)



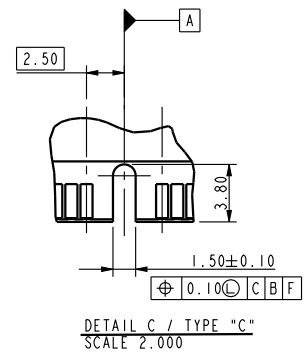
DETAIL D
SCALE 4.000



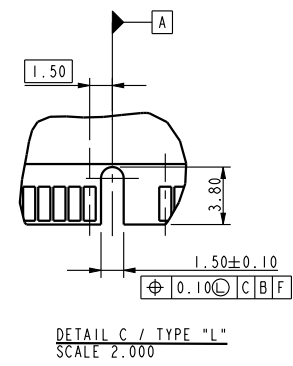
DETAIL E
SCALE 4.000



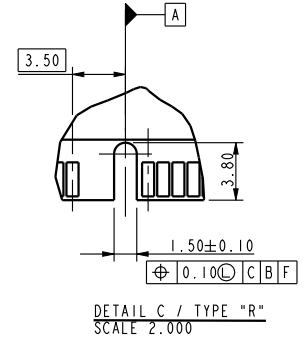
DETAIL A
SCALE 3.000



DETAIL C / TYPE "C"
SCALE 2.000



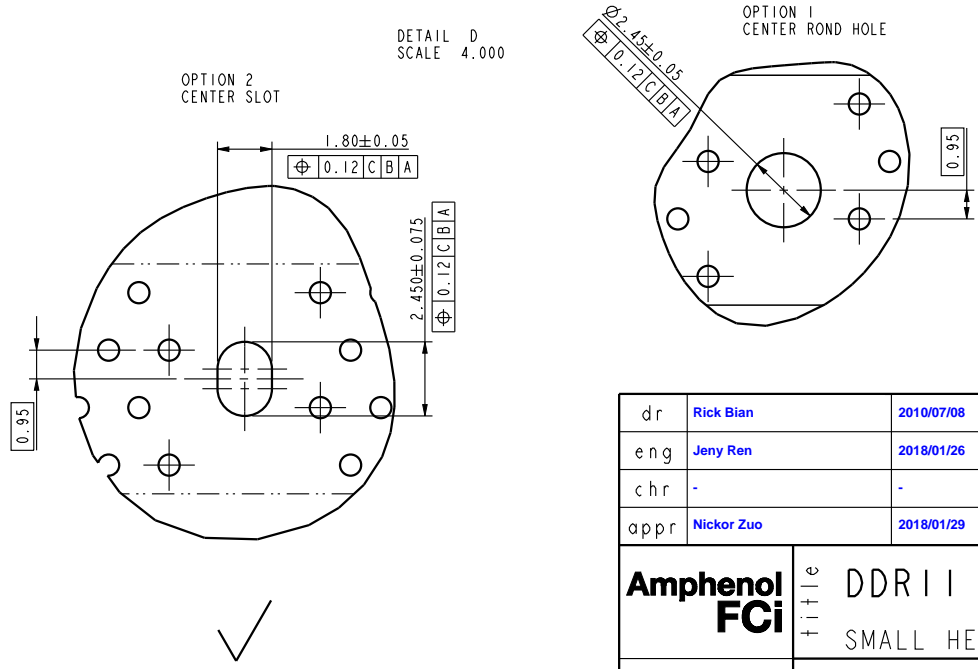
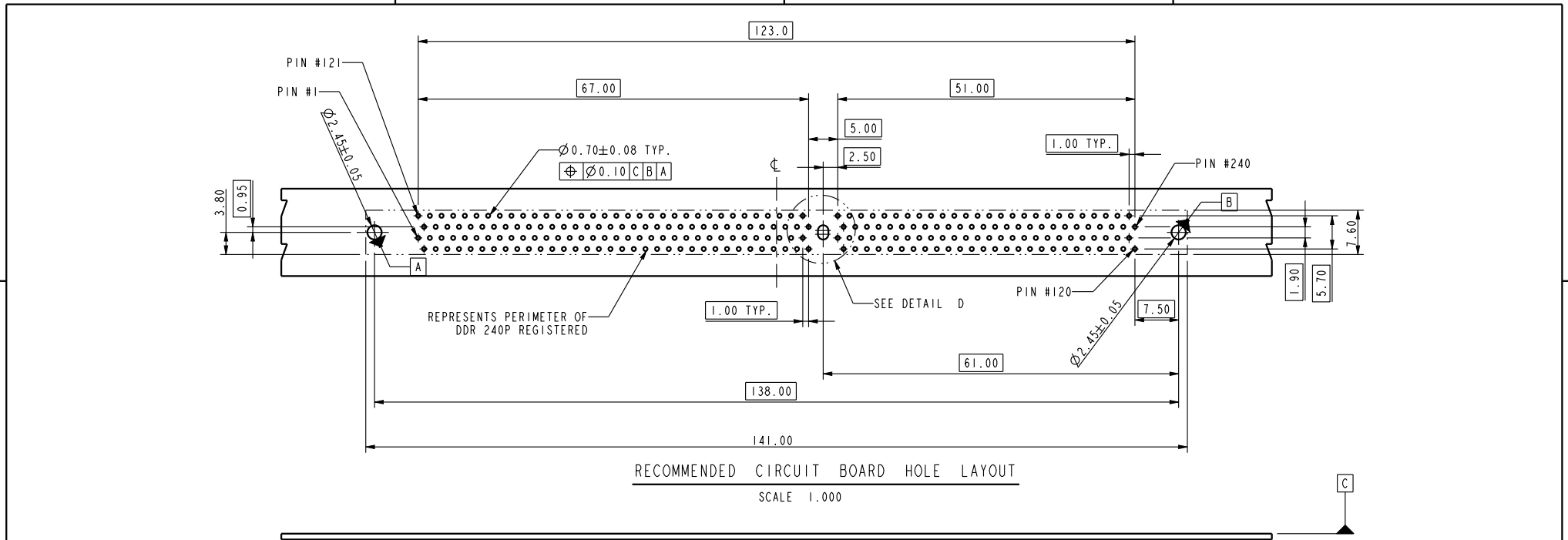
DETAIL C / TYPE "L"
SCALE 2.000



DETAIL C / TYPE "R"
SCALE 2.000

spec ref	*	dr	Rick Bian	2010/07/08	projection	MM	size	A4	scale	0.500	
tolerance std	TOLERANCES UNLESS OTHERWISE SPECIFIED	eng	Jeny Ren	2018/01/26			ecn no	ELX-DG-28708-1			
ISO 406 ISO 1101		chr	-	-				rel level	Released		
surface	linear	appr	Nickor Zuo	2018/01/29	product family	dwg no	10057443		rev	D	
ISO 1302		angular	0°	±2°	Amphenol FCi		title	DDRII 240P FBDIMM SMALL HEAD SOCKET		cat. no.	*

Creo File - REV E - 2016-02-12



tolerances unless otherwise specified		
linear	.X	±0.38
	.XX	±0.25
	.XXX	±0.13
angles	X°	±2°

dr	Rick Bian	2010/07/08	projection 	MM 	size	A4	scale	0.500
eng	Jeny Ren	2018/01/26			ecn no	ELX-DG-28708-1		
chr	-	-			rel level	Released		
appr	Nickor Zuo	2018/01/29	product family		rev		10057443	
Amphenol FCI		title			DDR II 240P FBDIMM		dwg no	
					SMALL HEAD SOCKET		10057443	
		cat. no.			Product - Customer Drw		sheet 3 of 4	

10057443-□ □ □ □ □

STYLE : MECHANICAL KEYING

- 1 : 1.8 VOLT. W/TYPE "C"
- 2 : 2.5 VOLT. W/TYPE "L"
- 3 : X.X VOLT. W/TYPE "R"

METAL CLIP:
(WITH NI 1.27 um MIN. PLATING)

- 1 : WITH METAL CLIP + DIM."D"-3.05
- 2 : WITH METAL CLIP + DIM."D"-3.56
- 3 : WITH METAL CLIP + DIM."D"-3.43

TAIL LENGTH

CODE	DIM. "B"	PCB THICKNESS
0	2.54	1.47 mm (0.058")
1	2.67	1.60 mm (0.063")
2	3.18	2.36 mm (0.093")
3	4.00	3.18 mm (0.125")

PLATING

CODE	CONTACT	SOLDERTAIL	UNDERPLATE
2	15 u"(0.38um) MIN. GOLD	100u"(2.54um) MIN. TIN/LEAD	50u"(1.27um) MIN. NICKEL OVERALL
3	30u"(0.76um) MIN. GOLD		
4	3u"(0.076um) MIN. GOLD	100u"(2.54um) MIN. 100% TIN	50u"(1.27um) MIN. NICKEL OVERALL
7LF	15u"(0.38um) MIN. GOLD		
8LF	30u"(0.76um) MIN. GOLD	100u"(2.54um) MIN. 100% TIN	90u"(2.29um) MIN. NICKEL OVERALL
9LF	3u"(0.076um) MIN. GOLD		
2N	15 u"(0.38um) MIN. GOLD	100u"(2.54um) MIN. TIN/LEAD	90u"(2.29um) MIN. NICKEL OVERALL
3N	30 u"(0.76um) MIN. GOLD		
4N	3 u"(0.076um) MIN. GOLD	100u"(2.54um) MIN. 100% TIN	90u"(2.29um) MIN. NICKEL OVERALL
7NLF	15 u"(0.38um) MIN. GOLD		
8NLF	30 u"(0.76um) MIN. GOLD	100u"(2.54um) MIN. 100% TIN	90u"(2.29um) MIN. NICKEL OVERALL
9NLF	3 u"(0.076um) MIN. GOLD		

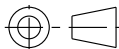

NOTE:

1. MATERIAL:
HOUSING: HIGH PERFORMANCE RESINS,
GLASS FILLED UL94V-0 RATED.
EJECTOR: HIGH PERFORMANCE RESINS,
GLASS FILLED UL 94V-0 RATED.
TERMINAL : COPPER ALLOY.
METAL CLIP: COPPER ALLOY.
2. PRODUCT SPECIFICATION: GS-12-300.
- △ DIMENSIONS APPLICABLE WHEN COMPONENTS MOUNTED ON ONE OR BOTH SIDES.
- △ CARD THICKNESS APPLIES ACROSS TABS AND INCLUDES PLATING AND/OR) MEALIZATION STRAIGHTNESS CALLOUT APPLIES TO ZONE DEFINED BY THE 4.00 CONTACT AREA DIMENSION FOR THE ENTIRE LENGTH OF 133.35.
- △ BOARD OF COMPONENT AREA.
- △ LATCH DESIGN INCLUDES COMPLEMENTARY FEATURE TO ACCOMMODATE MODULE END NOTCHES AS DEFIND IN DETAIL A OF P.2 AND AS SPECIFIED IN MO-256.
7. THIS PRODUCT MEETS EUROPEAN UNION DIRECTIVES AND OTHER COUNTRY REGULATIONS AS DESCRIBED IN GS-22-008.
8. THE HOUSING WILL WITHSTAND EXPOSURE TO 260°C PEAK TEMP. FOR 10 SECONDS IN A WAVE SOLDER APPLICATION
9. 10057443-XXXX(X)LF SERIES ARE FOR LEAD-FREE OPTIONS.
10. DATE CODE:XXXXX* MEANS MONTH/DAY/YEAR.
"*" MEANS PRODUCTION LINE CODE.

COLOR OF HOUSING AND EJECTOR

- 0 : BLACK HOUSING + IVORY EJECTOR
- 1 : BLUE HOUSING + IVORY EJECTOR
- 2 : BLACK HOUSING + BLACK EJECTOR

TYPE R	X.X VOTAGLE	6.80	1.40	2.80	8.20	6.80	3.00	4.40	9.80
TYPE L	2.5 VOLTAGE	6.80	1.40	2.80	8.20	6.80	3.00	4.40	9.80
TYPE C	1.8 VOLTAGE	6.80	1.40	2.80	8.20	6.80	3.00	4.40	9.80
SUB KEY POS. #1	DESCRIPTION	DIM. E1 MAX.	DIM. E2 MAX.	DIM. E3 MAX.	DIM. E MAX.	DIM. E1 MAX.	DIM. E2 MAX.	DIM. E3 MAX.	DIM. E MAX.
					TYPE 1		TYPE 2		

dr	Rick Bian	2010/07/08	projection 	MM 	size	A4	scale	0.500	
eng	Jeny Ren	2018/01/26			ecn no	ELX-DG-28708-1			
chr	-	-			rel level	Released			
appr	Nickor Zuo	2018/01/29	product family		rev	D			
Amphenol FCI		title			DDR11 240P FBDIMM		dwg no		10057443
		SMALL HEAD SOCKET							
cat. no.		Product - Customer Drw			sheet		4 of 4		