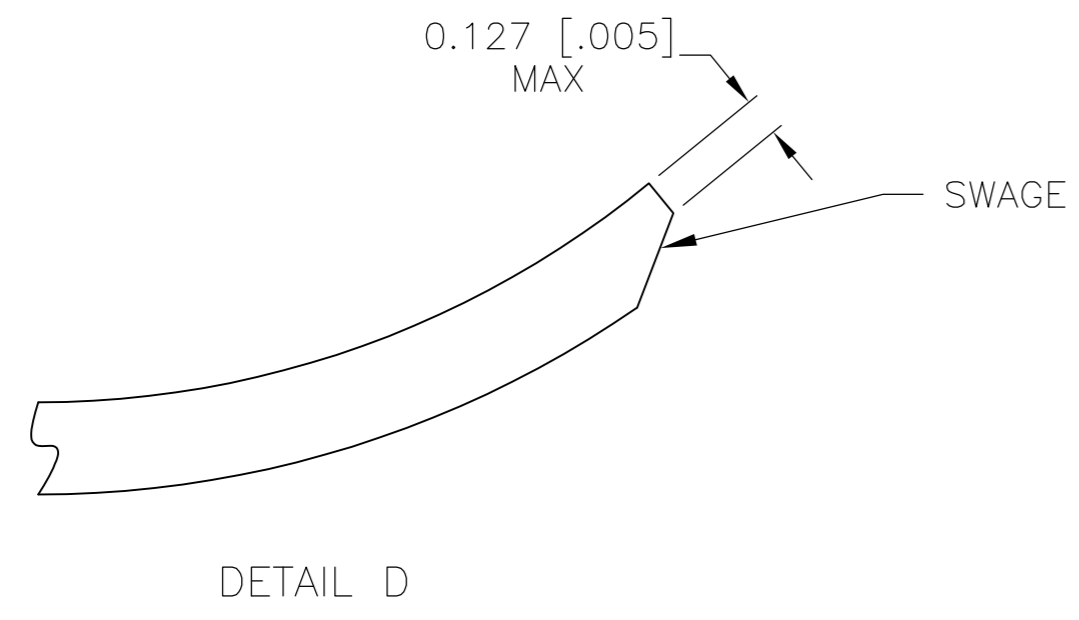
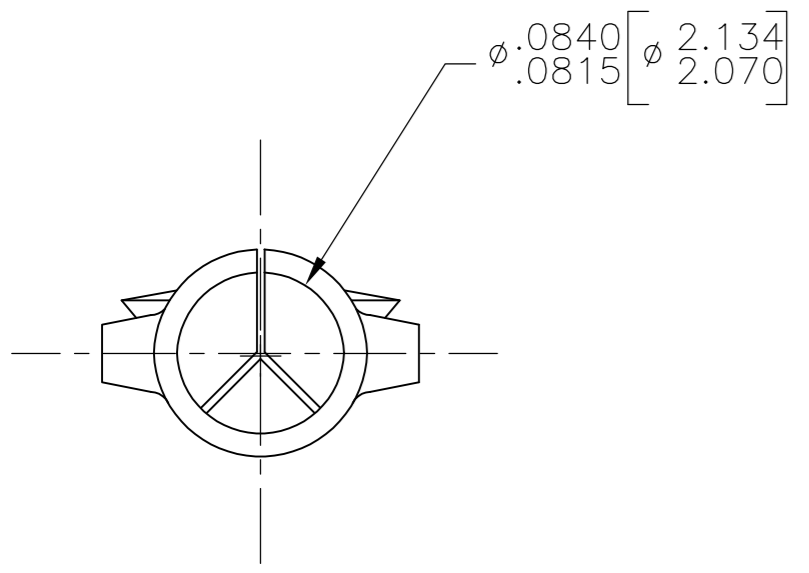
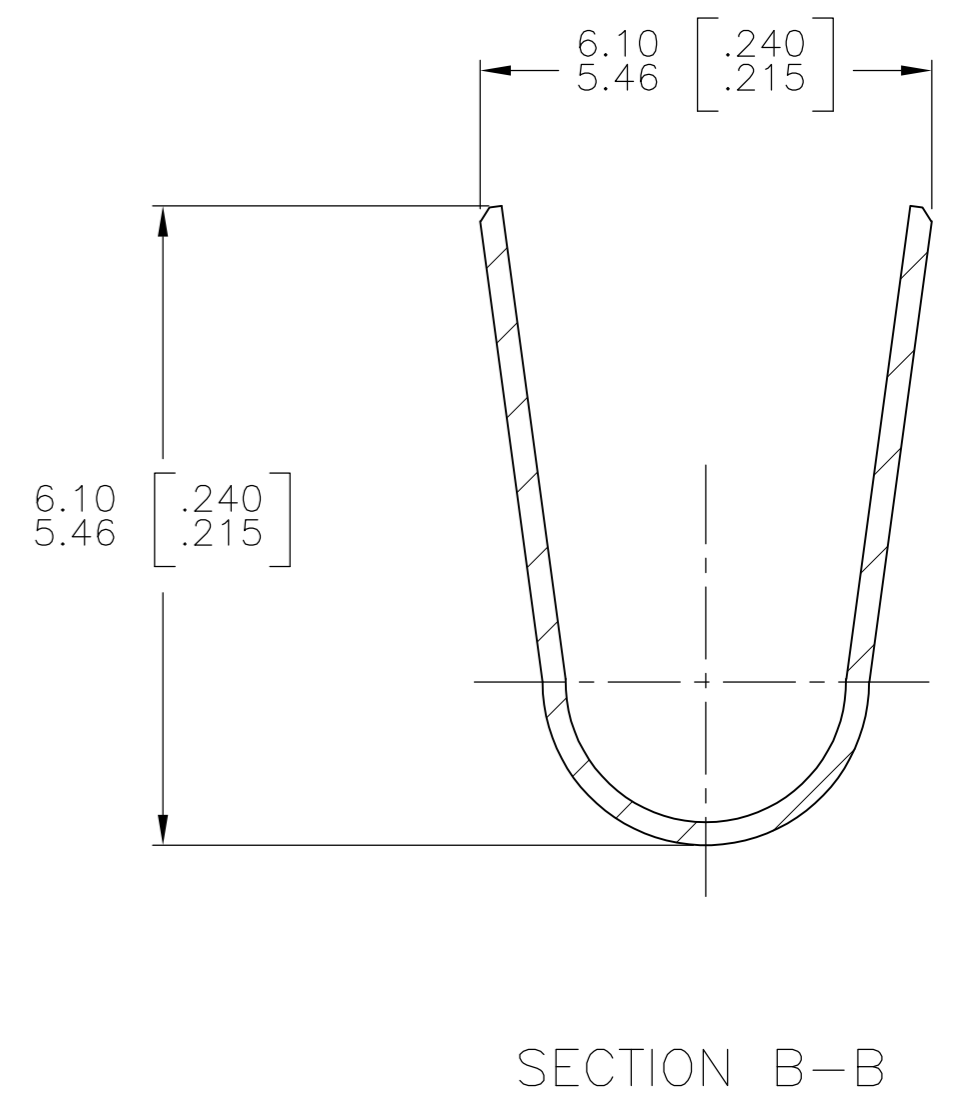
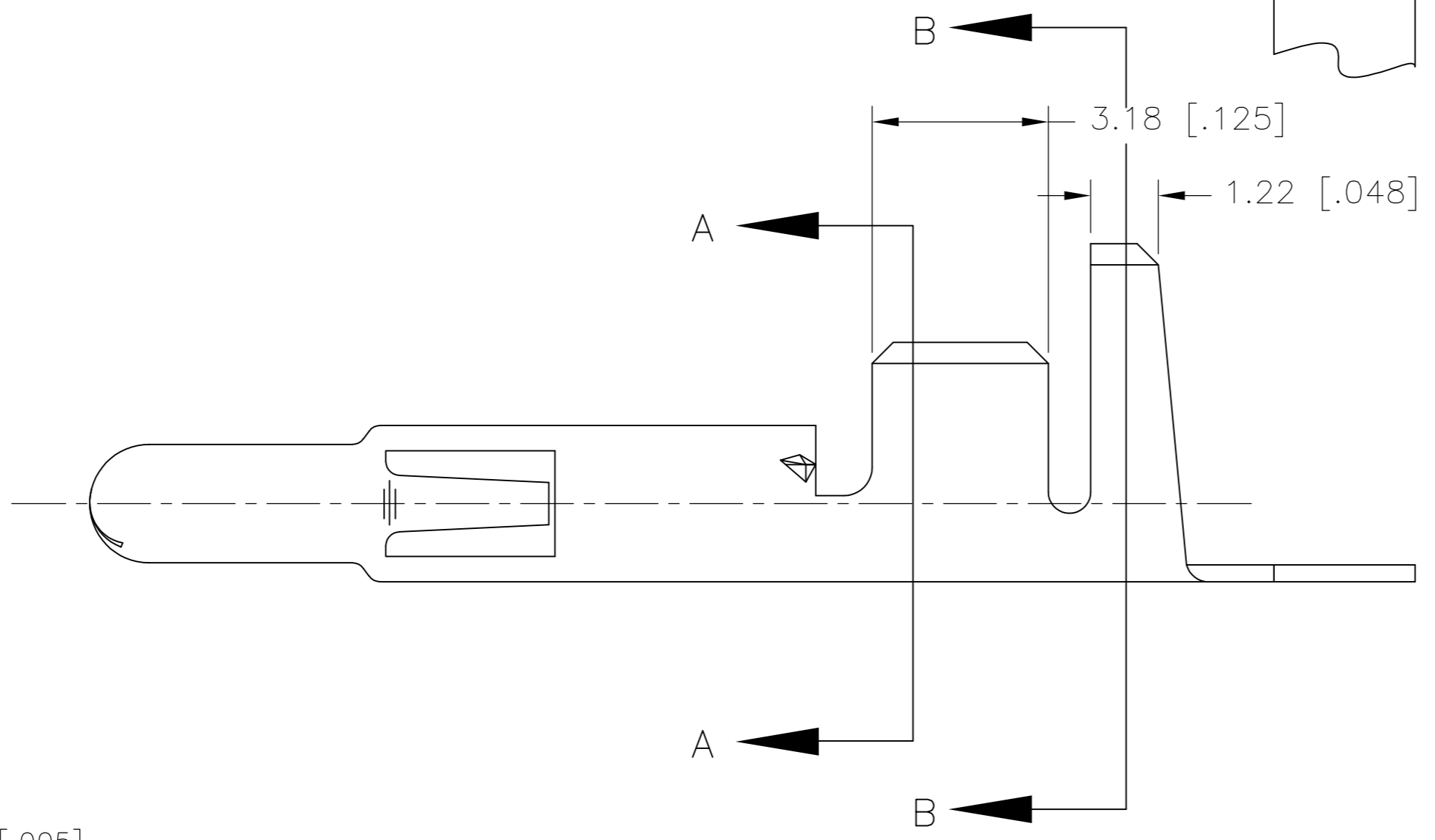
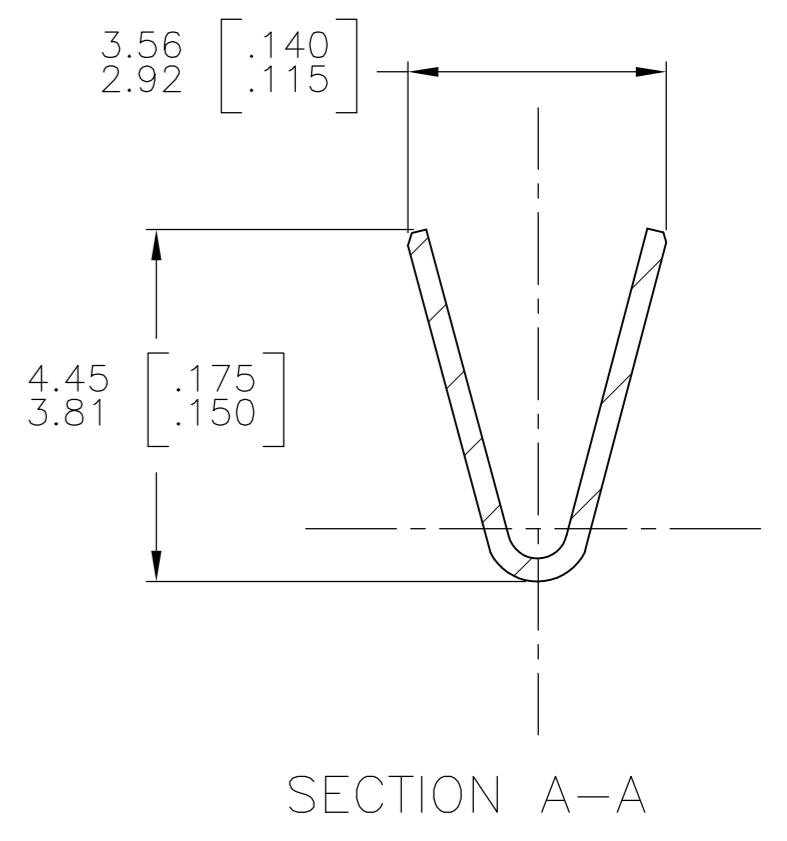
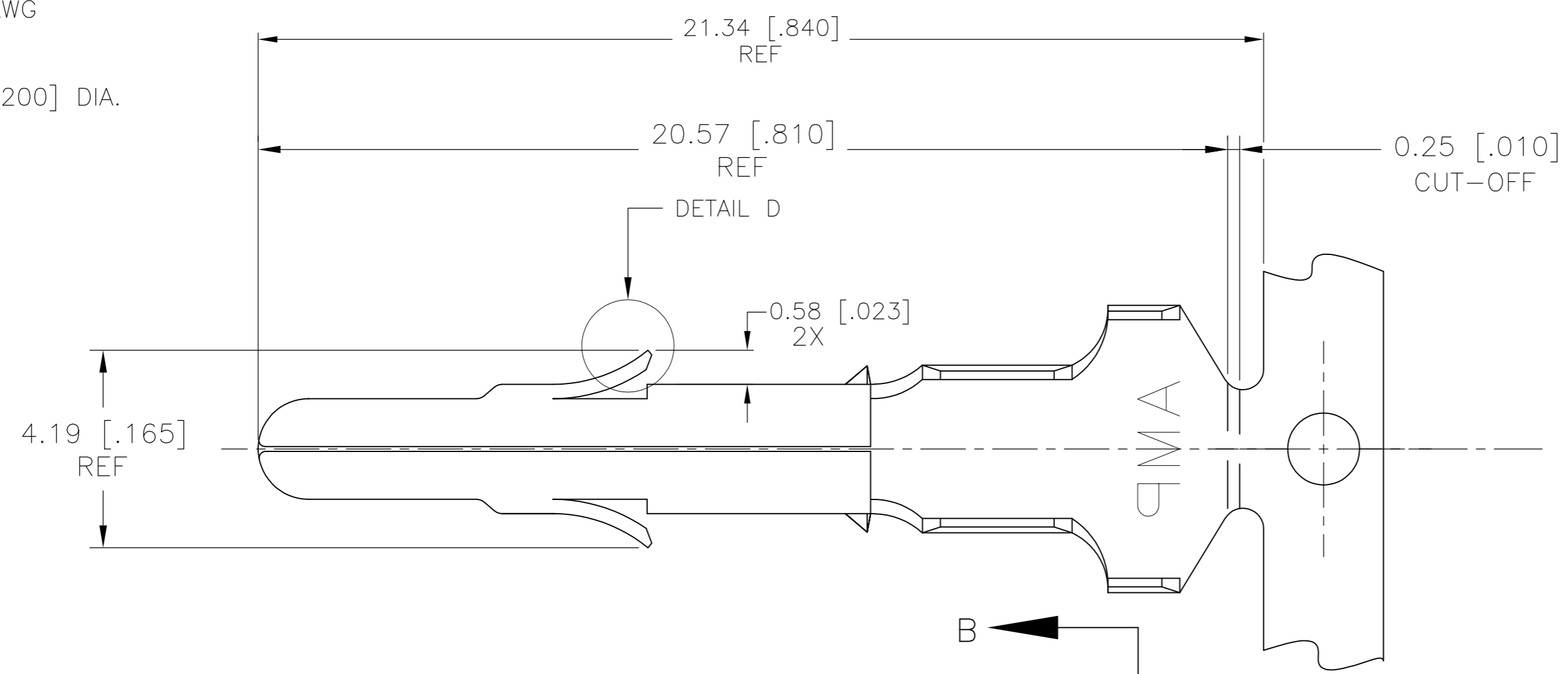


THIS DRAWING IS UNPUBLISHED. RELEASED FOR PUBLICATION
 © COPYRIGHT - By - ALL RIGHTS RESERVED.

LOC		DIST		REVISIONS			
P	LTR	DESCRIPTION		DATE	DWN	APVD	
CM	00	V		REVISED PER ECR-12-013323	09AUG12	KH	TM

- 1 WIRE RANGE: 18-14 AWG
- 2 INSULATION RANGE:
3.30-5.08 [.130-.200] DIA.



350918-3	PRE-TIN	.012 PH. BRZ.	350873-3
---	PRE-TIN	.012 BRASS	350873-1
LOOSE PIECE REFERENCE	FINISH	MATERIAL	PART NUMBER

THIS DRAWING IS A CONTROLLED DOCUMENT.

DIMENSIONS: mm [INCHES]	TOLERANCES UNLESS OTHERWISE SPECIFIED: 0 PLC ± 1 PLC ± 2 PLC ± 3 PLC ± 0.38 [.015] 4 PLC ± ANGLES ± 0°30'	DWN S. HOOVER 04-FEB-2003 CHK S. RIDGILL 04-FEB-2003 APVD S. RIDGILL 04-FEB-2003	NAME PIN, UNIVERSAL MATE-N-LOK™
MATERIAL	FINISH	APPLICATION SPEC	SIZE CAGE CODE DRAWING NO RESTRICTED TO A2 00779 C=350873 -
CUSTOMER DRAWING		WEIGHT	SCALE 10:1 SHEET 1 OF 1 REV V

350873