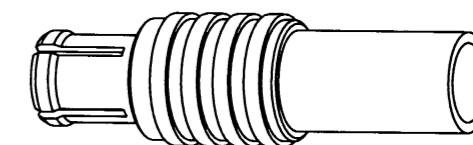


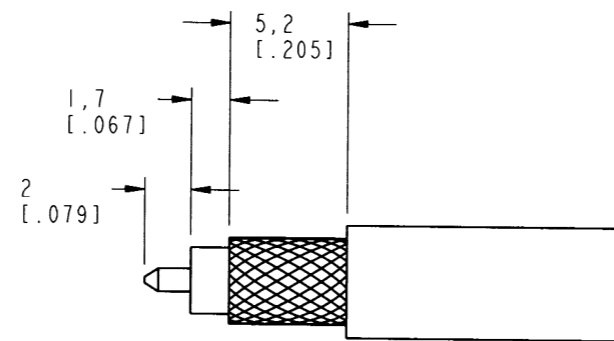
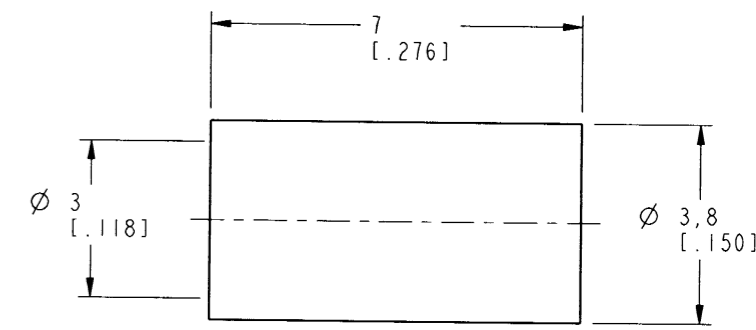
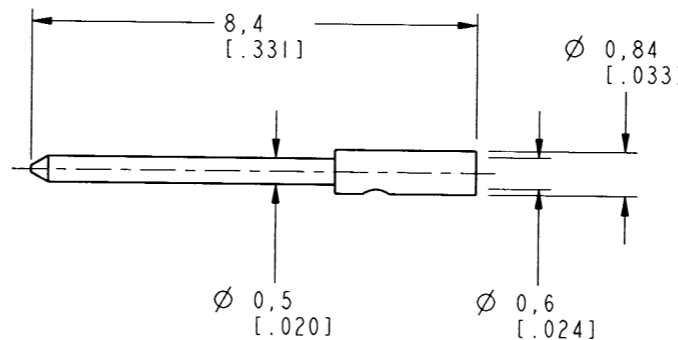
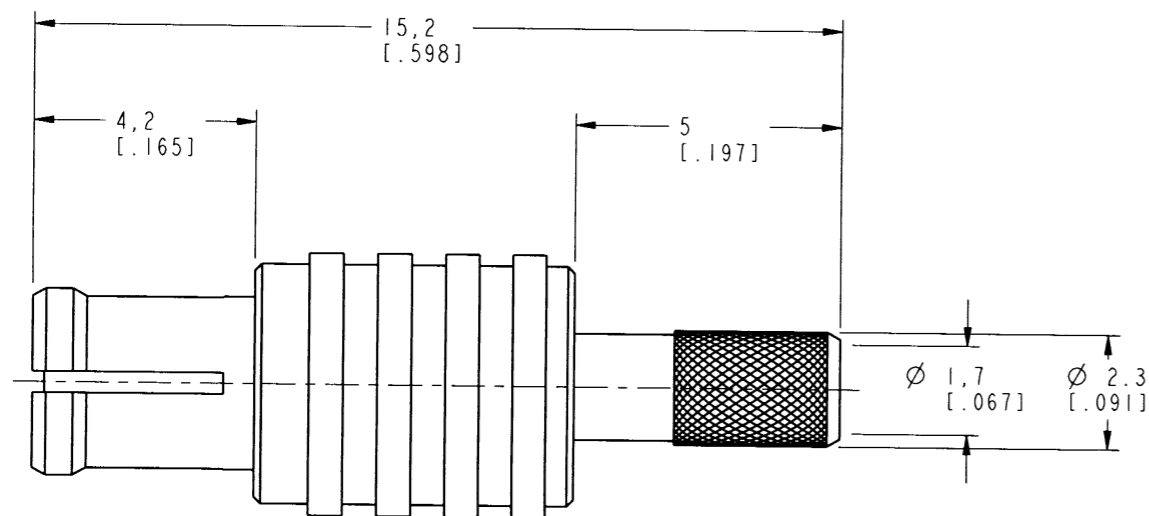
NOTES:

- MATERIALS OF CONSTRUCTION:
 HOUSING & CONTACT PIN = BRASS, GOLD PLATED
 BODY = BERYLLIUM COPPER, GOLD PLATED
 FERRULE = COPPER, GOLD PLATED
 INSULATOR = TEFLON, MIL-P-19468
- CRIMPED FERRULE = HEX CRIMP SIZE .128
- ELECTRICAL DATA:
 VSWR = 1.05 MAX TO 1 GHz
 1.15 MAX TO 6 GHz
 INSERTION LOSS = .05 dB MAX TO 1 GHz
 (MATED PAIR) = .15 dB MAX TO 6 GHz

919-137P-71SX		REVISIONS			
DRAWING NO.	REV	DESCRIPTION	DATE	ECO	APPR
THIRD ANGLE PROJ.	A	RELEASE TO MFG.	5/31/00	43382	CPM



SCALE 3.500



RECOMMENDED CABLE STRIPPING DIMENSIONS
SCALE 3.000

CUSTOMER OUTLINE DRAWING
FOR REFERENCE ONLY

UNLESS OTHERWISE SPECIFIED, DIMENSIONS ARE IN INCHES AND TOLERANCES ARE:
 0.5 - 6mm ±0.2mm 6 - 30mm ±0.4mm 30 - 120mm ±0.6mm

NOTICE - These drawings, specifications, or other data (1) are, and remain the property of Amphenol Corp. (2) must be returned upon request; and (3) are confidential and not to be disclosed to any person other than those to whom they are given by Amphenol Corp. The furnishing of these drawings, specifications, or other data by Amphenol Corp., or to any other person to anyone for any purpose is not to be regarded by implication or otherwise in any manner licensing, granting rights or permitting such holder or any other person to manufacture, use or sell any product, process or design, patented or otherwise, that may in any way be related to or disclosed by said drawings, specifications, or other data.

MATERIAL	DRAWN	DATE	TITLE	Amphenol Amphenol Corporation Communication and Network Products Division Danbury, CT U.S.A. 06810
	C. McGRATH	16-May-00		
REFERENCE GEN# 919-137P-71SX_ASSY	ENGINEER	DATE	MCX (M) CRIMP FOR RG-179/U	SCALE: 7.0:1 SHEET 2 OF 2
	T. AUBIN	16-May-00		
	APPROVED	DATE		
	<i>[Signature]</i>	5/31/00		
	CAD FILE	CODE ID	DWG SIZE	DRAWING NO.
	I:\MCX\919-137P-71SX	74868	B	919-137P-71SX
				REV A