

PTS 840 Series Microminiature SMT Side Actuated

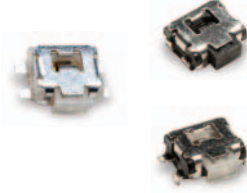
NEW!

Features/Benefits

- 3.5 x 3.55 mm footprint
- Front PIP leads option for strong shear resistance
- ESD pin option
- Reduced footprint

Typical Applications

- Nomad devices
- Remote controls
- Personal health diagnostics
- Consumer electronics



B

Tactile Switches

Specifications

FUNCTION: momentary action
 CONTACT ARRANGEMENT: 1 make contact = SPST N.O.
 TERMINALS: J, G and front PIP types for SMT
 TRAVEL: 0.2mm + 0.2mm / -0.1 mm
 LIFE: 100,000 cycles

Type	Operating Force (gf)	SMT Leads	Pegs
without ground pin			
PTS840 GM SMTR LFS	160 -40/+70	G leads	No
PTS840 GK SMTR LFS	220 -70/+80	G leads	No
PTS840 JM SMTR LFS	160 -40/+70	J leads	No
PTS840 JK SMTR LFS	220 -70/+80	J leads	No
PTS840 PM SMTR LFS	160 -40/+70	P leads	No
PTS840 PK SMTR LFS	220 -70/+80	P leads	No
PTS840 GMP SMTR LFS	160 -40/+70	G leads	Yes
PTS840 GKP SMTR LFS	220 -70/+80	G leads	Yes
PTS840 JMP SMTR LFS	160 -40/+70	J leads	Yes
PTS840 JKP SMTR LFS	220 -70/+80	J leads	Yes
with ground pin			
PTS840 ESDGM SMTR LFS	160 -40/+70	G leads	No
PTS840 ESDGK SMTR LFS	220 -70/+80	G leads	No
PTS840 ESDJM SMTR LFS	160 -40/+70	J leads	No
PTS840 ESDJK SMTR LFS	220 -70/+80	J leads	No
PTS840 ESDPM SMTR LFS	160 -40/+70	P leads	No
PTS840 ESDPK SMTR LFS	220 -70/+80	P leads	No
PTS840 ESDGMP SMTR LFS	160 -40/+70	G leads	Yes
PTS840 ESDGKP SMTR LFS	220 -70/+80	G leads	Yes
PTS840 ESDJMP SMTR LFS	160 -40/+70	J leads	Yes
PTS840 ESDJKP SMTR LFS	220 -70/+80	J leads	Yes

Electrical

MAXIMUM VOLTAGE: 12 VDC
 MAXIMUM CURRENT DC: 50 mA
 DIELECTRIC STRENGTH: 250 VA C (1mm)
 CONTACT RESISTANCE: ≤ 500 mΩ
 INSULATION RESISTANCE: ≥ 100 MΩ
 BOUNCE TIME: ≤ 10 ms

Environmental

OPERATING TEMPERATURE: -40°C to 85°C

Process

SOLDERING: This component is suited to the following methods:
 Infrared Reflow Soldering in accordance with IEC61760-1

Packaging

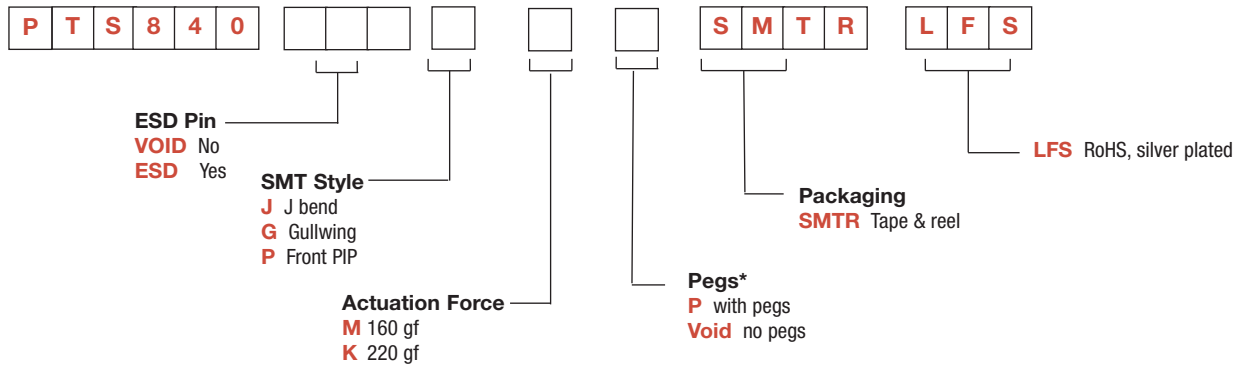
In reels of 3,500 pieces
 Dimensions of reels according to EIA 481B
 External diameter 330 mm

NOTE: Specifications listed above are for switches with standard options.
 For information on specific and custom switches, consult Customer Service Center.

How To Order

Our easy build-a-switch concept allows you to mix and match options to create the switch you need. To order, select desired option from each category and place it in the appropriate box.

For any part number different from those listed above, please consult your local representative.



Design Recommendations

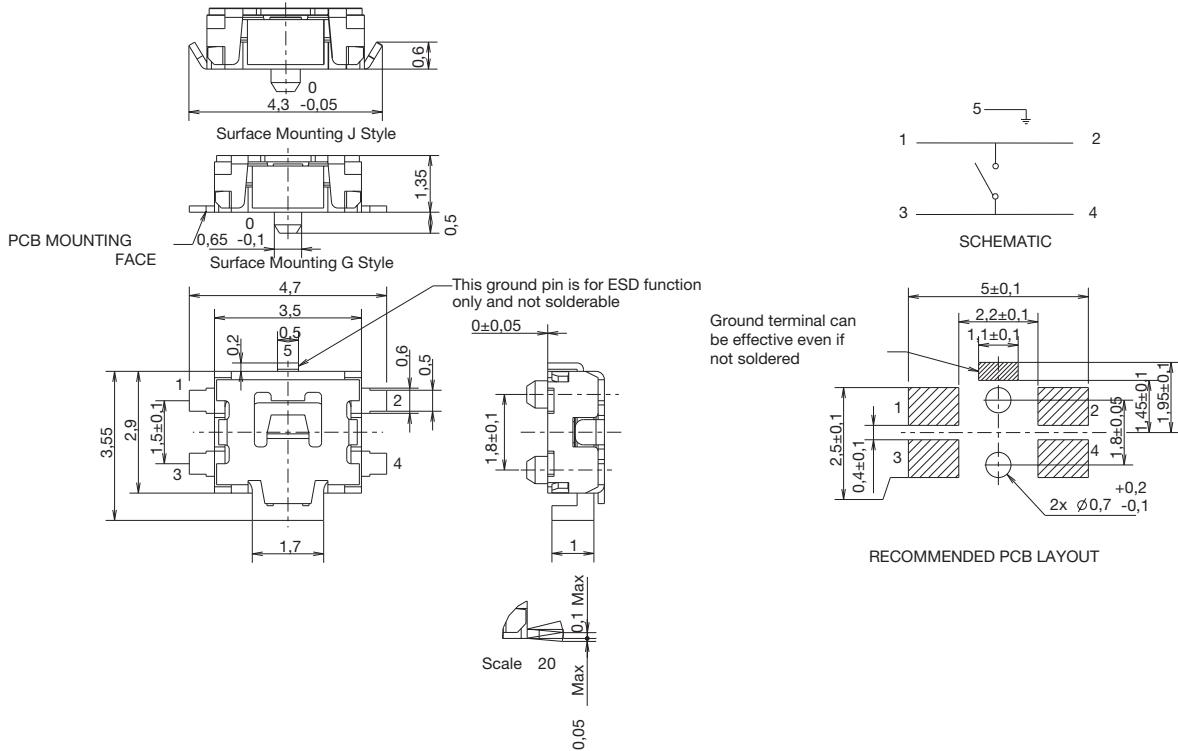
- "J" leads need to be soldered with 0.1mm solder paste thickness. Below this value, shock resistance will be decreased. A "G" lead version could easily replace it.
- "P" leads are recommended for applications where shear resistance is of importance
- When a precise alignment between application button and the switch is requested, version with pegs are the right choice to limit the possible floating of the switch during solderability.



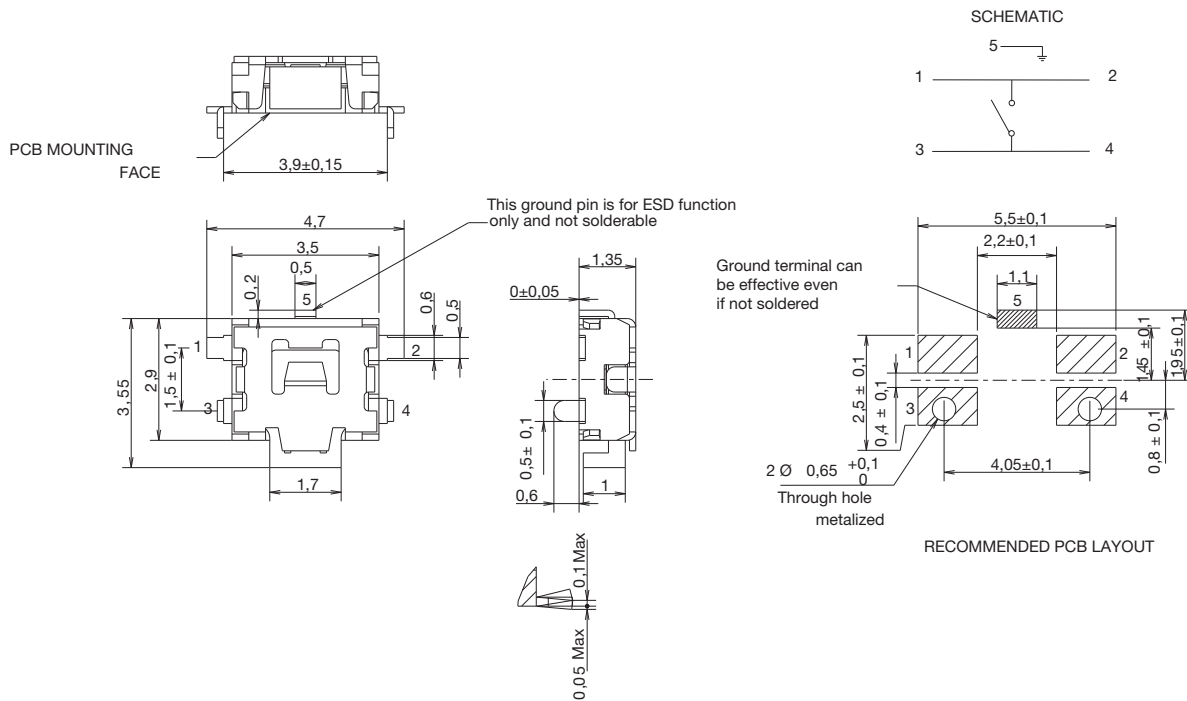
NEW!

PTS 840 Series Microminiature SMT Side Actuated

Standard J and G SMT Leads with ESD and Peg options



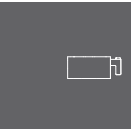
P SMT Leads with ESD option



PTS 840 Series Microminiature SMT Side Actuated

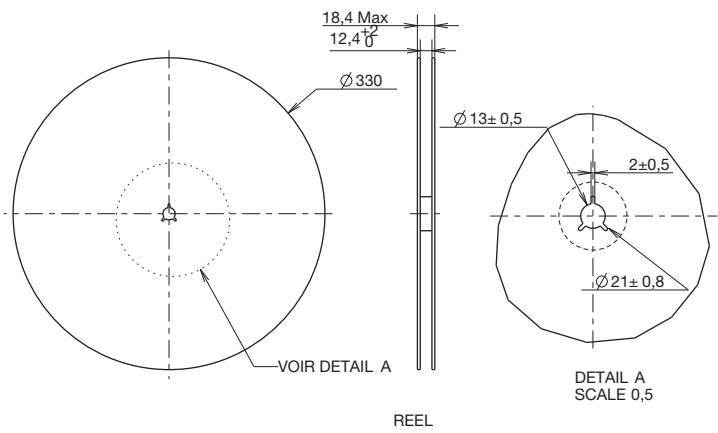
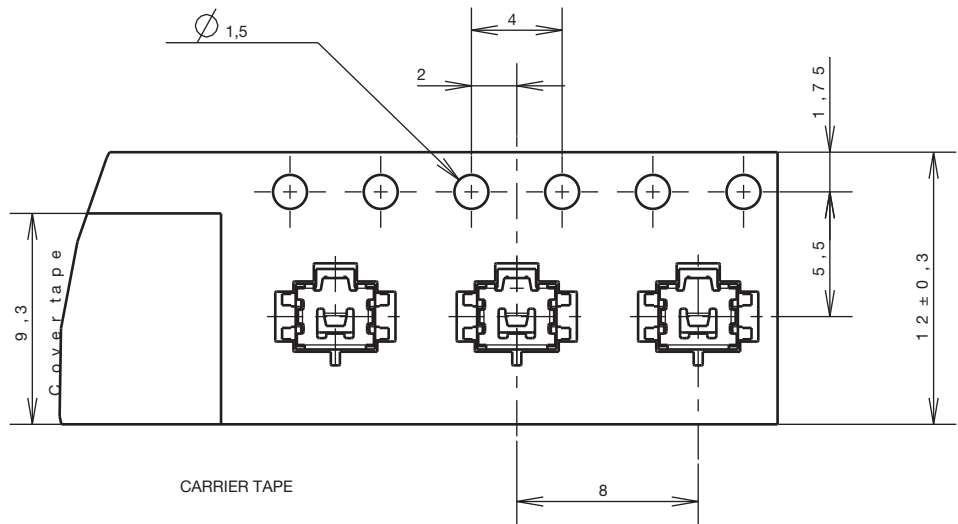
NEW!

TAPE & REEL



B

Tactile Switches



11 june 13

B-26

*Dimensions are shown: mm
Specifications and dimensions subject to change*

www.ck-components.com