

UMK-FE

Order No.: 2970031

The illustration shows a combination of versions UMK SE 11,25, UMK BE 11,25,- 22,5, -45 and UMK-FE



<http://eshop.phoenixcontact.de/phoenix/treeViewClick.do?UID=2970031>

Foot element, for mounting on DIN rail NS 32 or DIN rail NS 35/7.5,
can be inserted between base and side element

Commercial data	
EAN	4017918087562
Pack	10 pcs.
Customs tariff	85472000
Weight/Piece	0.00618 KG
Catalog page information	Page 610 (CC-2009)

Product notes

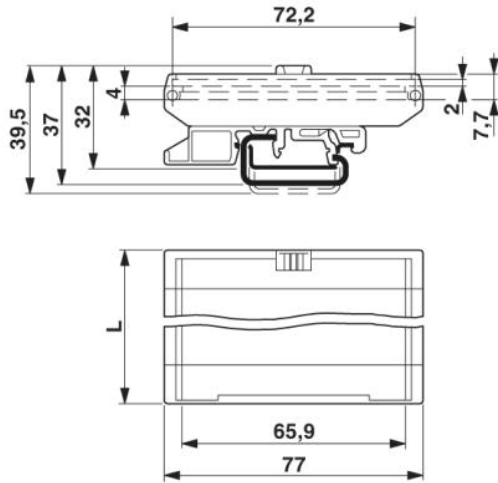
WEEE/RoHS-compliant since:
01/01/2003



<http://www.download.phoenixcontact.com>
Please note that the data given here has been taken from the online catalog. For comprehensive information and data, please refer to the user documentation. The General Terms and Conditions of Use apply to Internet downloads.

Diagrams/Drawings

Dimensioned drawing



UMK-FE Order No.: 2970031

<http://eshop.phoenixcontact.de/phoenix/treeViewClick.do?UID=2970031>

Address

PHOENIX CONTACT Deutschland GmbH
Flachmarktstr. 8
32825 Blomberg, Germany
Phone +49 5235 3 12000
Fax +49 5235 3 41200
<http://www.phoenixcontact.de>



© 2010 Phoenix Contact
Technical modifications reserved;