

Customer Information Sheet

DRAWING No.: M52-500XX45

SHEET 2 OF 2

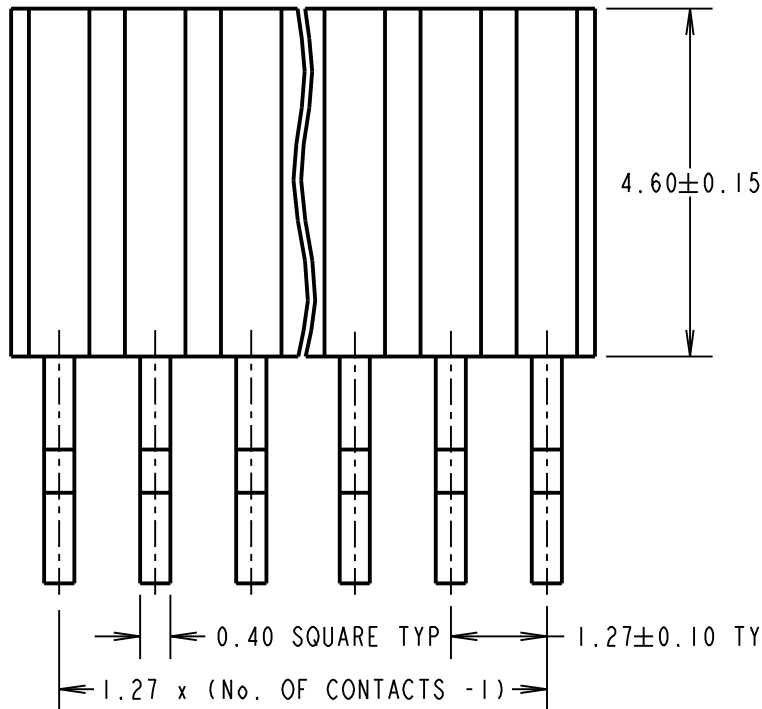
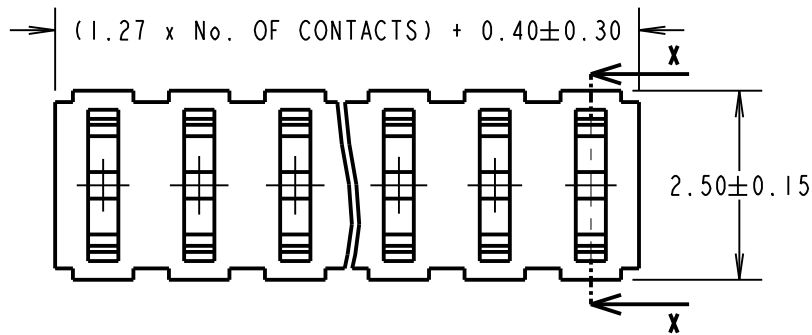
IF IN DOUBT - ASK

©

NOT TO SCALE

THIRD ANGLE PROJECTION

ALL DIMENSIONS IN mm



ORDER CODE:
M52-500XX45

No. OF CONTACTS PER ROW:
02 TO 50

FINISH: _____
GOLD

SPECIFICATIONS:

MATERIAL:
MOULDING = NYLON 6T UL94V-0, BLACK
CONTACT = PHOSPHOR BRONZE

FINISH:
CONTACT = GOLD OVER NICKEL

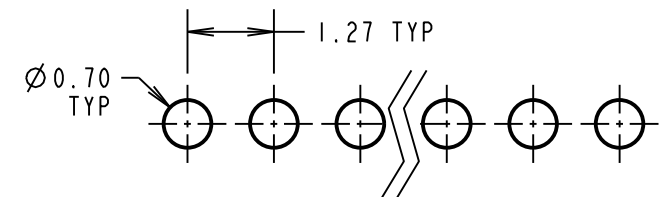
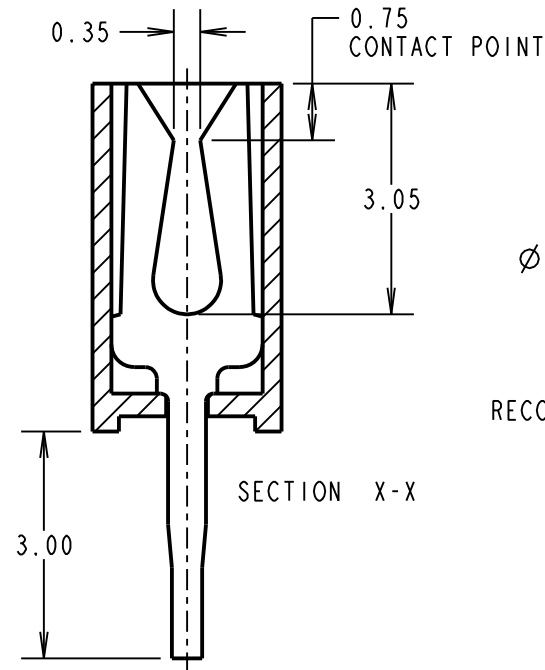
ELECTRICAL:
CURRENT RATING = 1A
DIELECTRIC WITHSTAND VOLTAGE = 500V AC FOR ONE MINUTE

CONTACT RESISTANCE = 30mΩ MAX
INSULATION RESISTANCE = 1000MΩ MIN

MECHANICAL:
INSERTION FORCE = IN MAX PER PIN
WITHDRAWAL FORCE = 0.12N MIN PER PIN
DURABILITY = 300 CYCLES

ENVIRONMENTAL:
OPERATING TEMPERATURE = -40°C TO +105°C

PACKING:
02-04 CONTACTS = TRAY, 05-50 CONTACTS = TUBE



RECOMMENDED PCB LAYOUT (PCB TOLERANCE ±0.05)

NOTES:
1. ALL TOLERANCES ARE ±0.25 UNLESS OTHERWISE STATED.

SB	11	17.12.13	11905
NAME	ISS.	DATE	C/NOTE
APPROVED:		S.BENNETT	
CHECKED:		S.FLOWER	
DRAWN:		J. ENRIGHT	
CUSTOMER REF.:			
ASSEMBLY DRG:			

HARWIN

www.harwin.com
technical@harwin.com

THIS DRAWING AND ANY INFORMATION OR DESCRIPTIVE MATTER SET OUT HEREON ARE CONFIDENTIAL AND COPYRIGHT PROPERTY OF THE HARWIN GROUP AND MUST NOT BE DISCLOSED, LOANED, COPIED OR USED FOR MANUFACTURING, TENDERING OR FOR ANY OTHER PURPOSE WITHOUT THEIR WRITTEN PERMISSION.

~~TOLERANCES~~
X = ±1mm
X.X = ±0.25mm
X.XX = ±0.10mm
X.XXX = ±0.01mm
ANGLES = ±5°
UNLESS STATED

MATERIAL: SEE ABOVE

FINISH: SEE ABOVE

S/AREA: mm²

TITLE:
1.27mm PITCH SIL
VERTICAL PC TAIL SOCKET ASSY

DRAWING NUMBER:
M52-500XX45

SHT 2 OF 2