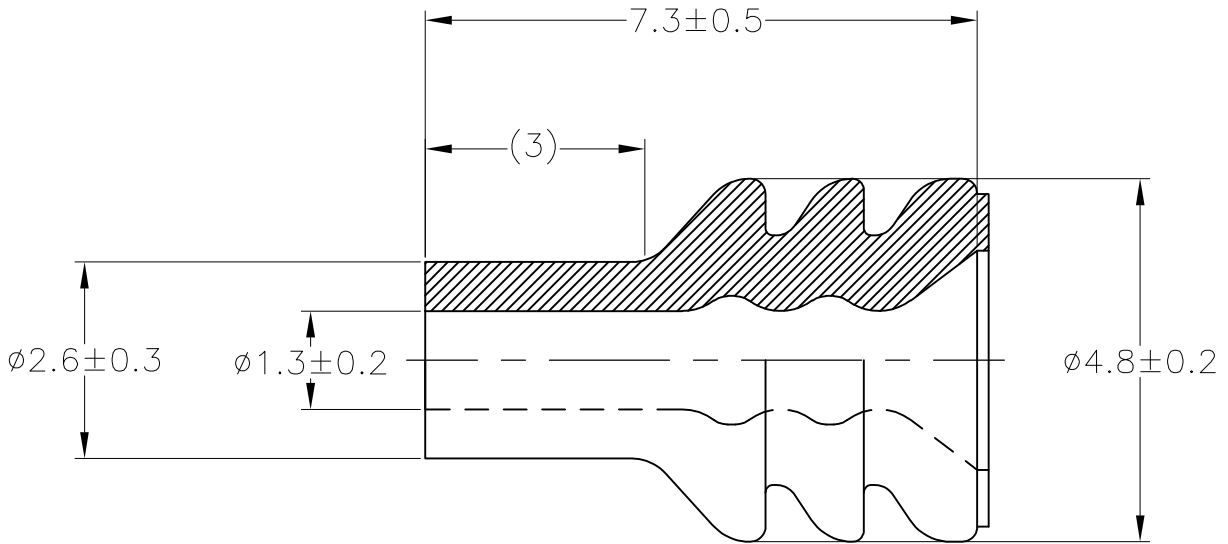


LOC J	DIST —	REVISIONS					
P	LTR	DESCRIPTION	DATE	DWN	APVD		
	A	RELEASED	06AUG14	DM	TK		



- 1. 材料;NBR フタル酸フリー
- 1. MATERIAL;NBR NON-BIS TYPE

INSULATION DIA
ø1.4~ø2.1mm

NBR	BLACK	2822356-1
MATERIAL	COLOR	PART NUMBER

THIS DRAWING IS UNPUBLISHED.

ALL RIGHTS RESERVED.

Tyco Electronics Japan G.K.

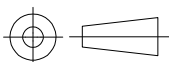
2014

© COPYRIGHT

DIMENSIONS:
mm

TOLERANCES UNLESS OTHERWISE SPECIFIED:

- 0 PLC ± -
- 1 PLC ± -
- 2 PLC ± -
- 3 PLC ± -
- 4 PLC ± -
- ANGLES ± -



DWN D.MATSUURA 06AUG2014	MATERIAL SEE TABLE	FINISH —			
CHK S.IWATANI 06AUG2014	TE Connectivity				
APVD T.KOHNO 06AUG2014					
PRODUCT SPEC 108-5262 108-5179	NAME NEW RUBBER PLUG (S)				
APPLICATION SPEC —	SIZE A4	CAGE CODE 00779	DRAWING NO C-2822356	RESTRICTED TO —	
WEIGHT 0.1 g	CUSTOMER DRAWING		SCALE 10:1	SHEET 1 OF 1	REV A