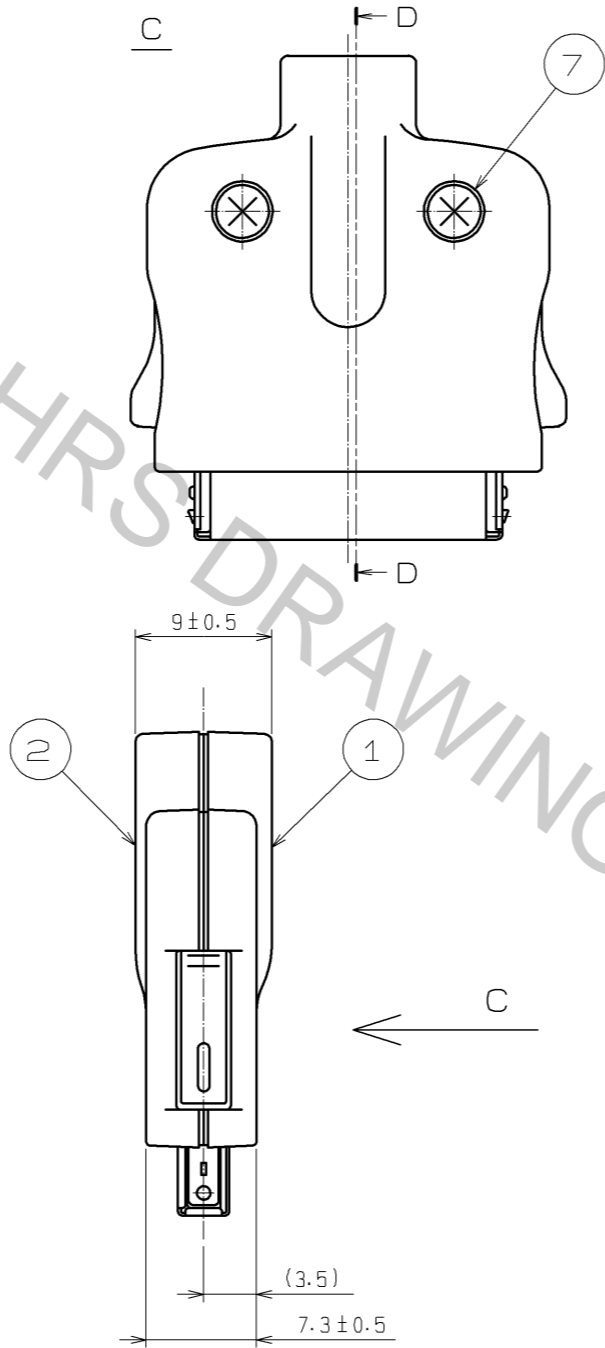
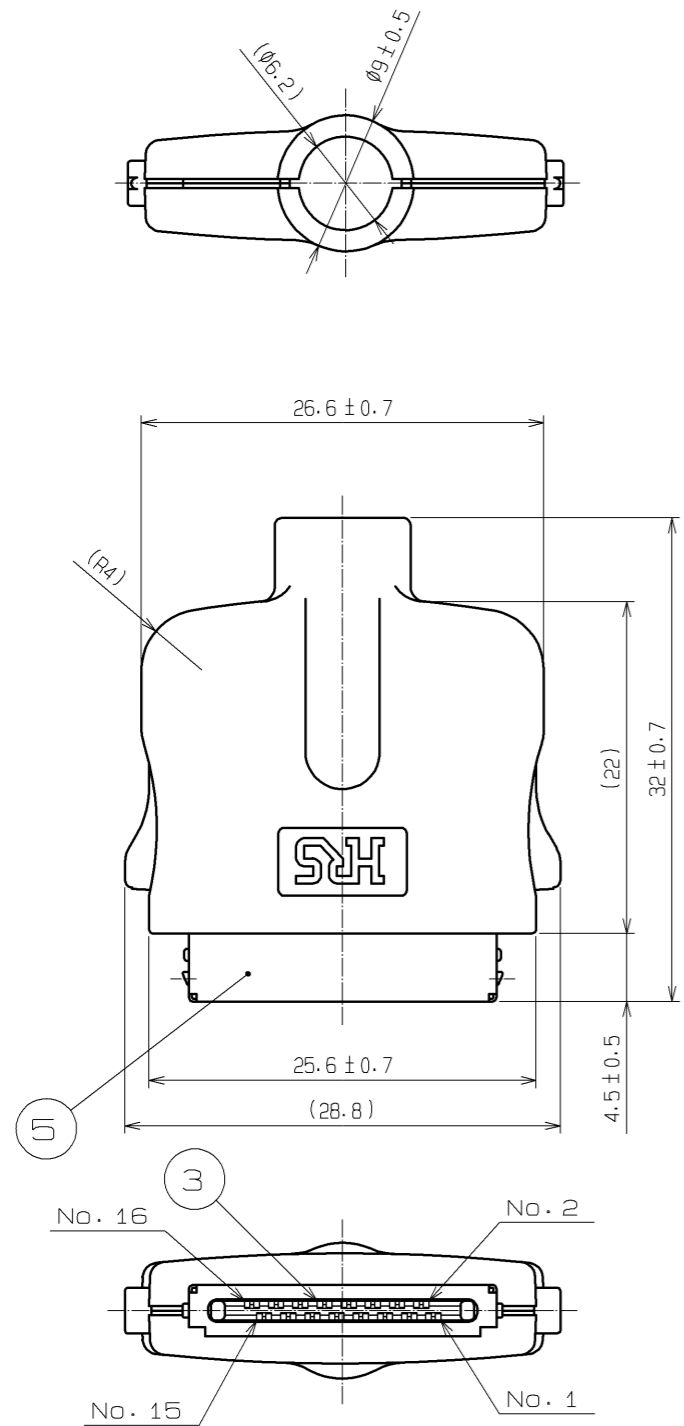
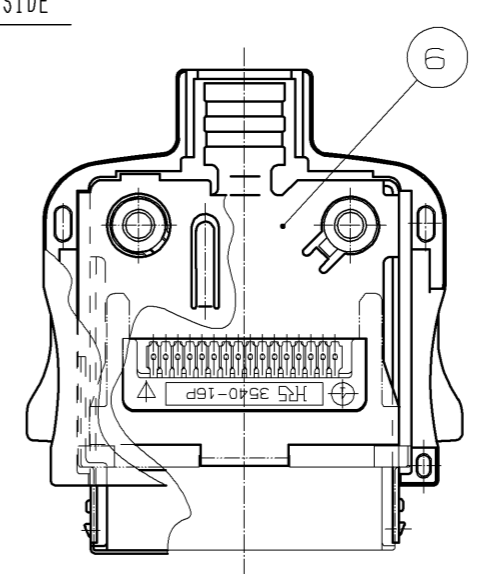


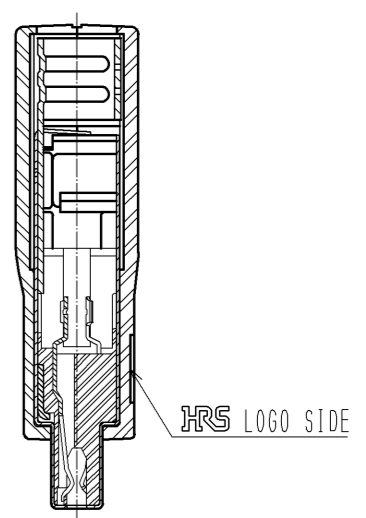
Apr.1.2017 Copyright 2017 HIROSE ELECTRIC CO., LTD. All Rights Reserved.



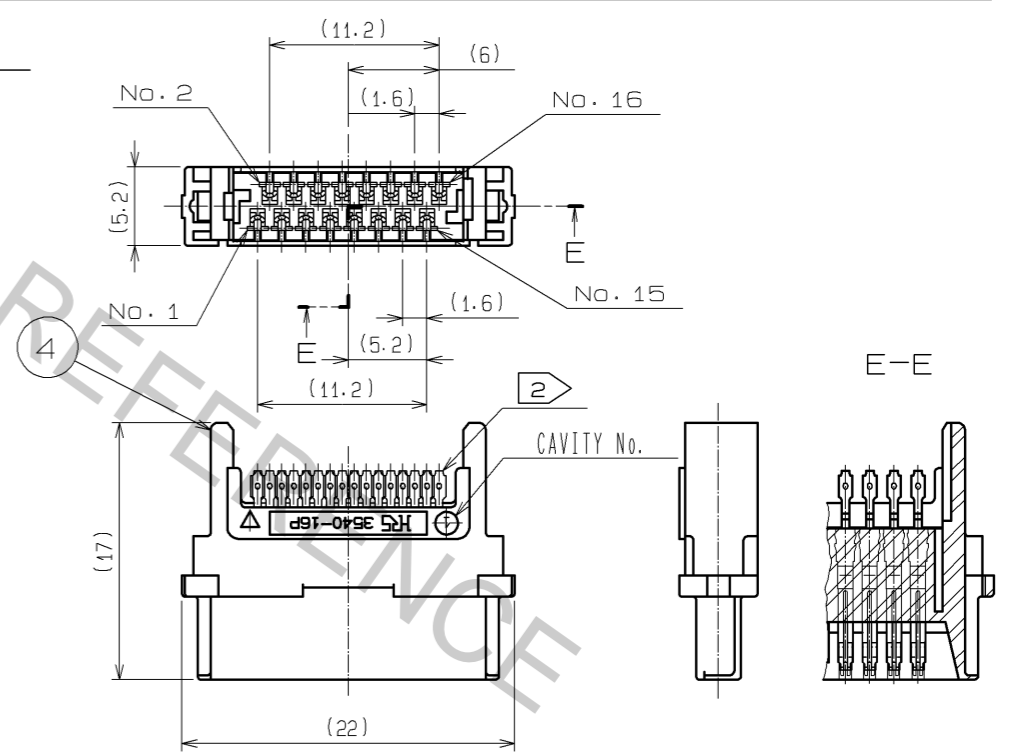
CONSTRUCTION INSIDE
(FOR REFERENCE)



D-D (FOR REFERENCE)



CONNECTOR UNIT



NOTES 1. THIS PRODUCT SHALL BE IN DISASSEMBLED CONDITION (EXCEPT CONNECTOR UNIT ③, ④) WHEN DELIVERED.
2. EACH TERMINATING POINT SHALL BE COVERED WITH HEAT SHRINK TUBE AFTER SOLDERING ASSEMBLY.

NO.	MATERIAL	FINISH	REMARKS	NO.	MATERIAL	FINISH	REMARKS
4	POLYAMIDE	BLACK	UL94V-0				
3	COPPER ALLOY	SELECTIVE GOLD PLATING	0.2 μm	7	STEEL	BLACK	TAPPING SCREW
2	POLYCARBONATE	BLACK	UL94V-0	△	6	STAINLESS STEEL	
1	POLYCARBONATE	BLACK	UL94V-0	△	5	STAINLESS STEEL	

UNITS	SCALE	COUNT	DESCRIPTION OF REVISIONS	DESIGNED	CHECKED	DATE
mm	2 : 1	2	DIS-E-004505	TA. ASO	NM. NISHIMATSU	13.02.05

APPROVED	CHECKED	DESIGNED	DRAWN	DRAWING NO.	PART NO.	CODE NO.
HO. MIWA	YH. ENAMI	TU. TANIGUCHI	TU. TANIGUCHI	EDC3-120517-01	3540-16P-CV(50)	CL235-0004-1-50
05.01.05	05.01.05	05.01.05	05.01.05			