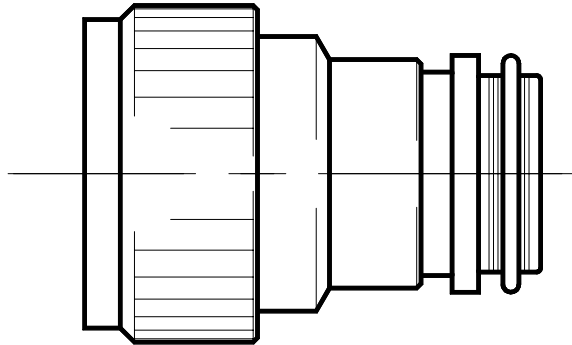


REVISIONS			
LTR	DESCRIPTION	DATE	APPROVED
N/C	INITIAL ISSUE	SEP 97	KJW



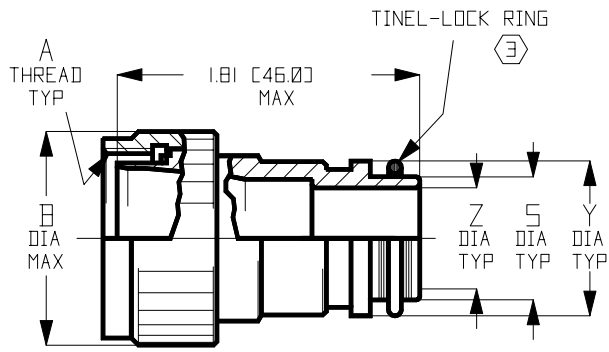
CODE 58 TINEL-LOCK ADAPTER

NOTES:

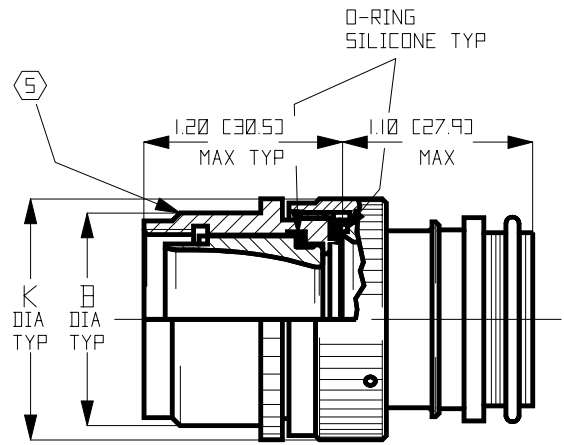
1. THIS PRODUCT IS DESIGNED TO TERMINATE A BRAIDED CABLE SHIELD AND A HEAT SHRINKABLE LIPPED BOOT TO A CONNECTOR.
2. SEE CHØØ-Ø25Ø-ØØØ FOR ORDERING INFORMATION, MODIFICATIONS AND ADDITIONAL DIMENSIONS.
- ③ SEE DRAWING TR FOR DETAIL ON TINEL-LOCK RING. RINGS ARE DESIGNED TO BE HEATED ELECTRICALLY. ALL RINGS ARE MARKED WITH THERMOCHROMIC PAINT WHICH CHANGES COLOUR WHEN INSTALLATION TEMPERATURE IS REACHED.
4. ADAPTER TO BE PERMANENTLY MARKED WITH CODE IDENTIFICATION NUMBER AND PART NUMBER LESS RING DESIGNATOR. (e.g. Ø6Ø9Ø-TXR58AØØØ-2Ø12). RING SHALL BEAR NO MARKING.
- ⑤ FOR LARGER ENTRY SIZES, A 2 PIECE ADAPTER (TYPE II) IS SUPPLIED.
- ⑥ ADAPTOR MATES TO: ITT CANNON M531ØØ, M531Ø1, M531Ø6 AND M531Ø8 CONNECTORS, CLASSES E, F AND R LESS ACCESSORIES, TO MIL-C-5Ø15Ø.

**If this document is printed it becomes uncontrolled.
Check with document control for latest revision.**
SPECIFICATION CONTROL DRAWING

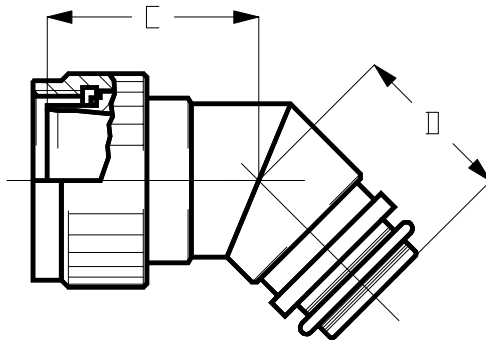
UNLESS OTHERWISE SPECIFIED DIMENSIONS ARE IN INCHES. METRIC DIMENSIONS ARE IN BRACKETS. DECIMALS .X # --- [MM] .XX # --- [MM] .XXX # --- [MM] ANGLES .X # ---	DRAWN IRT DATE SEP 97	RAYCHEM CORPORATION 300 CONSTITUTION DRIVE MENLO PARK CALIFORNIA 94025		
	CHECKED KJW DATE SEP 97			TITLE TINEL-LOCK™ ADAPTER
	APPROVED KJW DATE SEP 97	APPROVED KJW DATE SEP 97	DWG. NO. TXR58 REV N/C	
	CAD NAME TXR58SCD-1			
THIRD ANGLE PROJECTION 	DO NOT SCALE THIS DWG			SHEET 1 OF 3



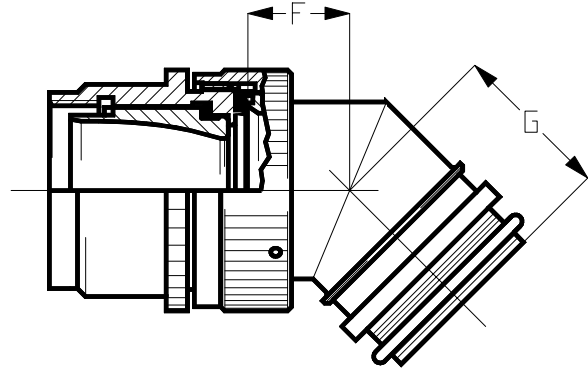
STRAIGHT ADAPTER - TYPE I



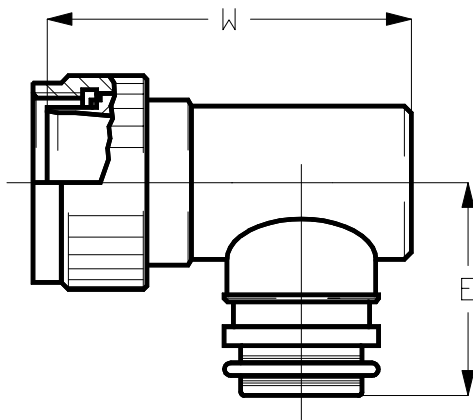
STRAIGHT ADAPTER - TYPE II



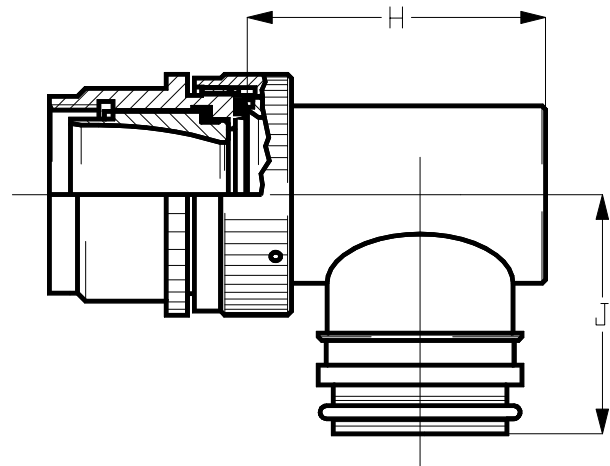
45# ADAPTER - TYPE I



45# ADAPTER - TYPE II



90# ADAPTER - TYPE I



90# ADAPTER - TYPE II

**If this document is printed it becomes uncontrolled.
Check with document control for latest revision.**

SIZE A	CODE IDENT. NO. 06090	DWG. NO. TXR58	REV N/C
DO NOT SCALE THIS DWG		SHEET 2 OF 3	

ORDER NO.	SHELL SIZE Ⓟ	MAX ENTRY SIZE TYPE I Ⓢ	A UNIFIED THREAD CLASS 2B	B DIA MAX	C MAX	D MAX	E MAX
10	10SL	05	0.5625"-24 UNEF	.79 [20.1]	.77 [19.5]	.89 [22.5]	1.06 [27.0]
12	12 & 12S	05	0.6250"-24 UNEF	.92 [23.4]	.85 [21.5]	.89 [22.5]	1.10 [28.0]
14	14S	07	0.7500"-20 UNEF	.98 [24.9]	.89 [22.5]	.91 [23.0]	1.12 [28.5]
16	16 & 16S	08	0.8750"-20 UNEF	1.09 [27.7]	.93 [23.5]	.93 [23.5]	1.18 [30.0]
18	18	08	1.0000"-20 UNEF	1.23 [31.2]	1.24 [31.5]	.93 [23.5]	1.20 [30.5]
20	20	12	1.1250"-18 UNEF	1.41 [35.7]	1.26 [32.0]	.98 [25.0]	1.30 [33.0]
22	22	12	1.2500"-18 UNEF	1.53 [38.9]	1.30 [33.0]	1.00 [25.5]	1.32 [33.5]
24	24	16	1.3750"-18 UNEF	1.65 [42.0]	1.32 [33.5]	1.02 [26.0]	1.42 [36.0]
28	28	18	1.6250"-18 UNEF	1.91 [48.4]	1.38 [35.0]	1.06 [27.0]	1.48 [37.5]
32	32	20	1.8750"-16 UN	2.15 [54.7]	1.44 [36.5]	1.10 [28.0]	1.57 [40.0]
36	36	22	2.1250"-16 UN	2.70 [68.6]	1.50 [38.0]	1.14 [29.0]	1.77 [45.0]

ENTRY SIZE	Z DIA +0.010 -0.020 [+0.25] [-0.50]	S DIAMETER	Y DIA #015 [#0.38]	W MAX	F MAX	G MAX	H MAX	J MAX	K MAX
04	.250 [6.35]	.376 [9.56] .370 [9.39]	.550 [13.97]	1.71 [43.5]	N/A	N/A	N/A	N/A	N/A
05	.312 [7.92]	.438 [11.13] .432 [10.97]	.612 [15.54]	1.75 [44.5]	N/A	N/A	N/A	N/A	N/A
06	.375 [9.52]	.501 [12.73] .495 [12.57]	.675 [17.14]	1.81 [46.0]	.77 [19.6]	.93 [23.6]	1.19 [30.2]	1.16 [29.5]	.80 [20.3]
07	.437 [11.09]	.563 [14.31] .556 [14.12]	.737 [18.71]	1.87 [47.5]	.80 [20.3]	.95 [24.1]	1.38 [35.1]	1.22 [31.0]	.92 [23.4]
08	.500 [12.70]	.626 [15.91] .619 [15.72]	.800 [20.32]	1.95 [49.5]	.80 [20.3]	.95 [24.1]	1.38 [35.1]	1.22 [31.0]	.92 [23.4]
10	.625 [15.87]	.752 [19.11] .742 [18.84]	.925 [23.49]	2.07 [52.5]	.84 [21.3]	1.00 [25.4]	1.51 [38.4]	1.35 [34.3]	1.18 [30.0]
12	.750 [19.05]	.877 [22.28] .867 [22.02]	1.050 [26.67]	2.19 [55.5]	.86 [21.8]	1.01 [25.7]	1.63 [41.4]	1.40 [35.6]	1.35 [34.3]
14	.875 [22.23]	1.002 [25.46] .991 [25.17]	1.175 [29.84]	2.32 [59.0]	.88 [22.4]	1.04 [26.4]	1.78 [45.2]	1.46 [37.1]	1.41 [35.8]
16	1.000 [25.40]	1.127 [28.63] 1.116 [28.34]	1.300 [33.02]	2.44 [62.0]	.91 [23.1]	1.06 [26.9]	1.88 [47.8]	1.53 [38.9]	1.60 [40.6]
18	1.125 [28.57]	1.252 [31.81] 1.241 [31.52]	1.425 [36.19]	2.56 [65.0]	.93 [23.6]	1.09 [27.7]	2.01 [51.1]	1.59 [40.4]	1.66 [42.2]
20	1.250 [31.75]	1.377 [34.98] 1.366 [34.69]	1.550 [39.37]	2.72 [69.0]	.98 [24.9]	1.13 [28.7]	2.13 [54.1]	1.78 [45.2]	2.04 [51.8]
22	1.375 [34.93]	1.502 [38.15] 1.488 [37.79]	1.675 [42.55]	2.80 [71.0]	1.03 [26.2]	1.38 [35.1]	2.29 [58.2]	1.85 [47.0]	2.23 [56.6]
24	1.500 [38.10]	1.627 [41.33] 1.613 [40.97]	1.800 [45.72]	N/A	1.08 [27.4]	1.44 [36.6]	2.42 [61.5]	1.92 [48.8]	2.23 [56.6]

If this document is printed it becomes uncontrolled.
Check with document control for latest revision.

SIZE	CODE IDENT. NO.	DWG. NO.	REV
A	06090	TXR58	N/C
DO NOT SCALE THIS DWG			SHEET 3 OF 3