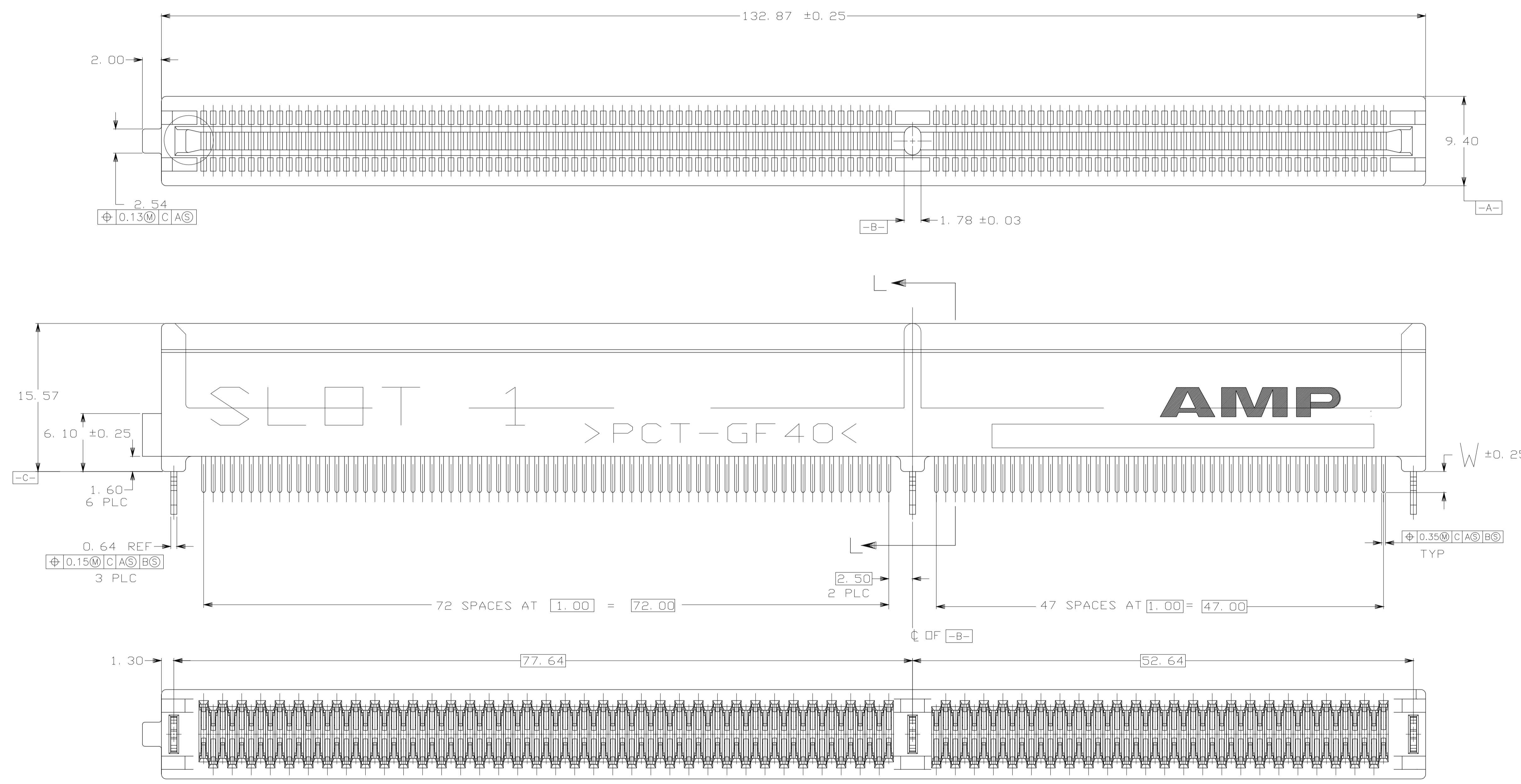


LOC		DIST		REVISIONS			
P	LTR	DESCRIPTION	DATE	DMN	APVD		
0		REVISED PER FB00-0246-04	21OCT04	L.Z	I.E		
01		REVISED PER ECO-10-000444	19JAN10	KK	HMR		

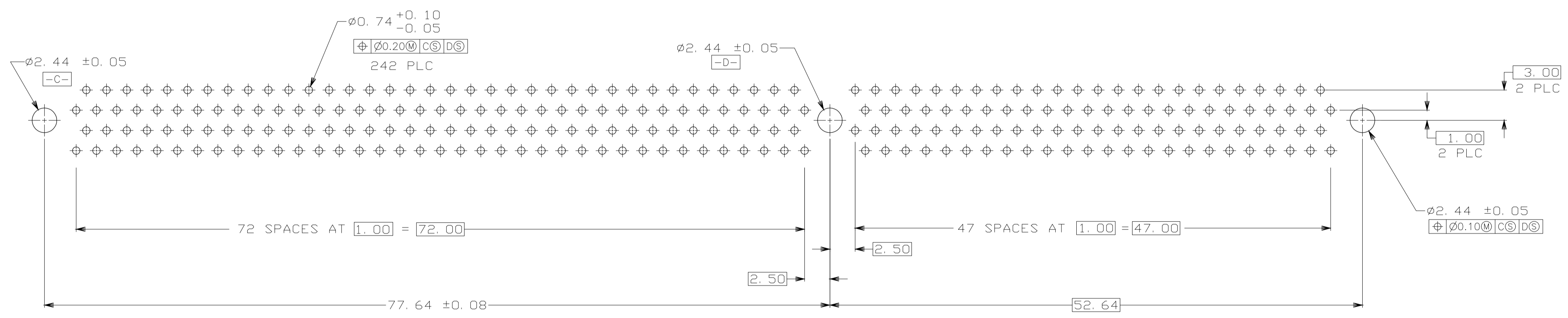
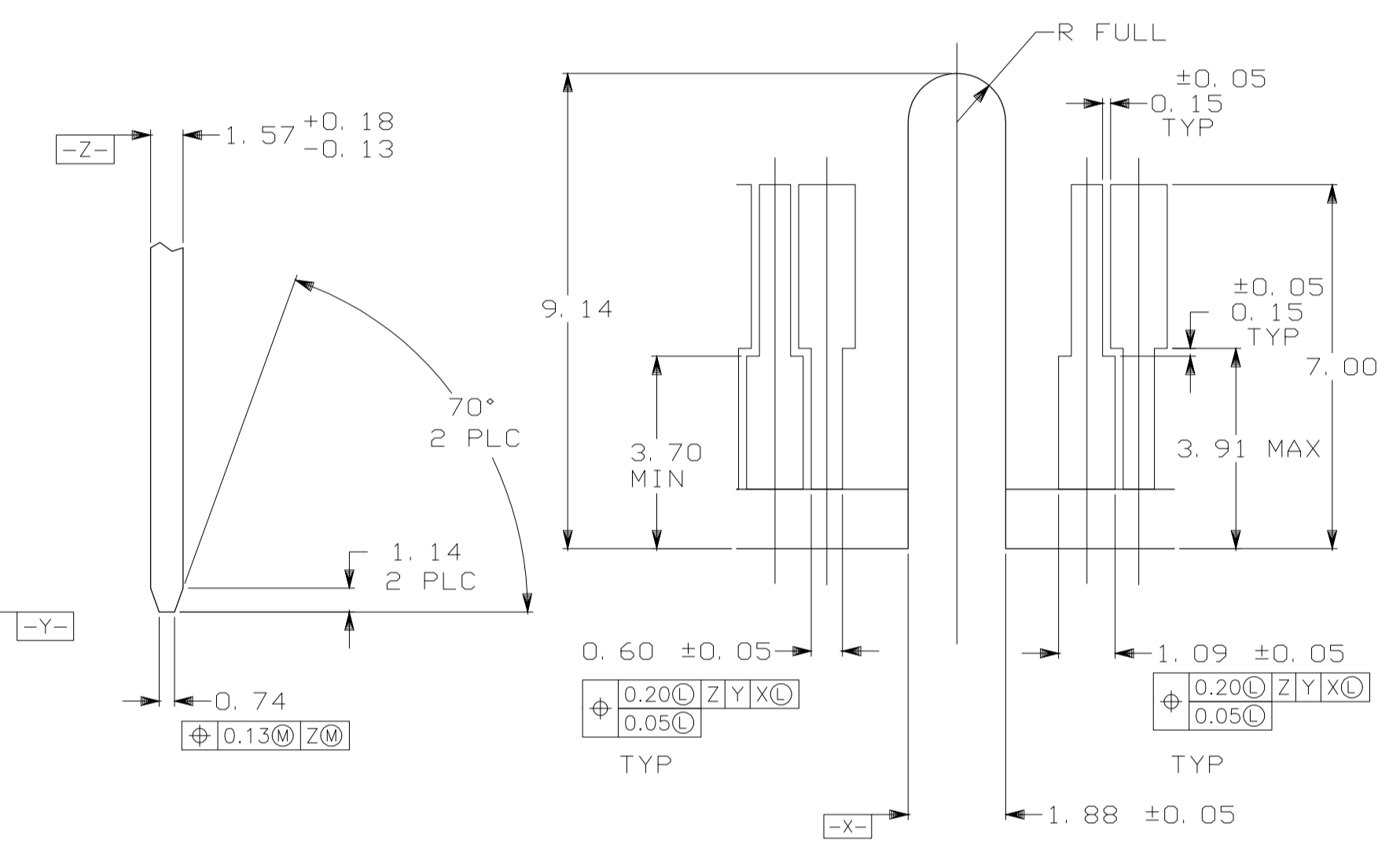
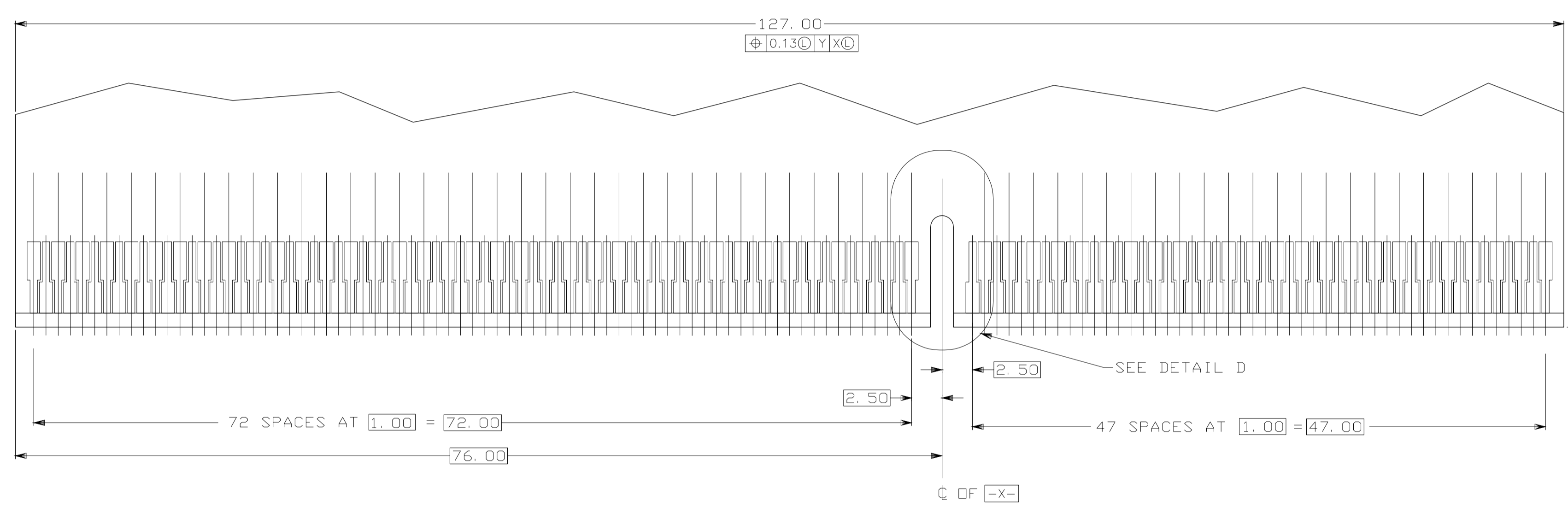
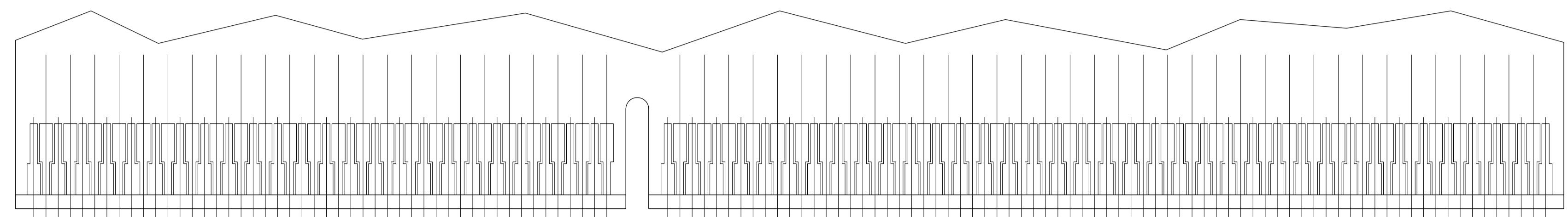


- △ MATERIAL: HOUSING, THERMOPLASTIC, COLOR: BROWN.
 CONTACTS, PHOSPHOR BRONZE.
 HOLD-DOWNS, BRASS.
- △ FINISH: CONTACTS, 1.27 MIN. MICROMETERS NICKEL ALL OVER,
 0.38 MIN. MICROMETERS GOLD OVER NICKEL IN CONTACT AREA,
- △ FINISH: 2.54 MIN MICROMETERS TIN OVER NICKEL ON SOLDER TAILS.
- △ FINISH: CONTACTS, 1.27 MIN. MICROMETERS NICKEL ALL OVER,
 0.0254-0.0762 MICROMETERS GOLD OVER NICKEL IN CONTACT AREA.
- △ OBSOLETE PARTS: OBSOLETE CIS STREAMLINING PER D. RENAUD/D. SINISI

LEAD FREE

REVISION	DATE	BY	CHKD	APPD	DESCRIPTION
△	3.18				5145251-6
△	2.54				5145251-5
△	3.18				5145251-3
△	2.54				5145251-2
△	2.16				5145251-1
PLATING	W				PART NO

THIS DRAWING IS A CONTROLLED DOCUMENT.		DIN	21OCT2004	Tyco Electronics Corporation	
DIMENSIONS: mm		CHK	21OCT2004	SH/CN GuiPingRD 668#	
TOLERANCES UNLESS OTHERWISE SPECIFIED:		APVD	21OCT2004	AMP	
0 PLC	± -	AMP			
1 PLC	± -	AMP			
2 PLC	± 0.13	AMP			
3 PLC	± -	AMP			
4 PLC	± -	AMP			
ANGLES	± -	AMP			
MATERIAL	FINISH	SIZE	CAGE CODE	DRAWING NO	RESTRICTED TO
-	-	A1	00779	5145251	-
RESTRICTED CUSTOMER		SCALE	1:1	SHEET	1 OF 2
		REV			01



LEAD FREE

THIS DRAWING IS A CONTROLLED DOCUMENT.		DIN	21OCT2004	Tyco Electronics Corporation
		LEO ZHOU	21OCT2004	
		CIK	21OCT2004	SH/CN GuiPingRD 668#
		STEVEN YAO		
		APVD	20OCT2004	
		LENOMOTO		
		PRODUCT SPEC		
		APPLICATION SPEC		
		WEIGHT		
		CUSTOMER DRAWING		
DIMENSIONS:		TOLERANCES UNLESS OTHERWISE SPECIFIED:		
mm		0 PLC ± -		
		1 PLC ± -		
		2 PLC ± -		
		3 PLC ± -		
		4 PLC ± -		
		ANGLES ± ±		
MATERIAL		FINISH		
		SIZE	CAGE CODE	DRAWING NO
		A1	00779	C=5145251
		SCALE	1:1	SHEET 2 OF 2
		REV	01	