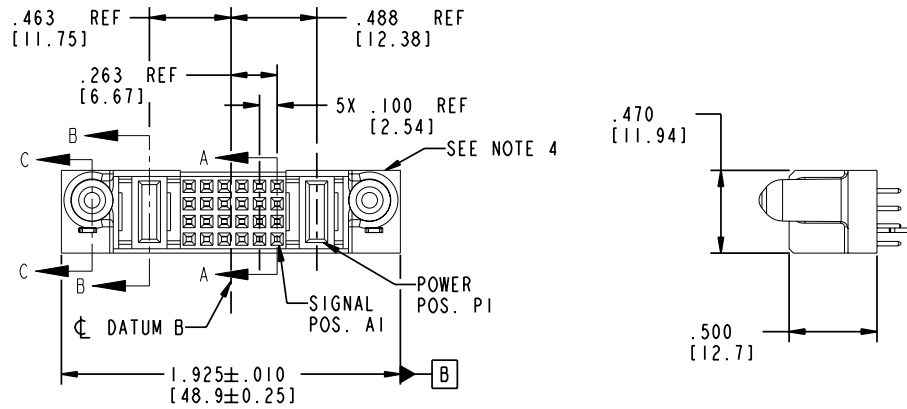


Tous droits strictement réservés. Reproduction ou communication à des tiers interdite sous quelque forme que ce soit sans autorisation écrite du propriétaire. Propriété de c FCI. Droits de reproduction FCI.

All rights strictly reserved. Reproduction or issue to third parties in any form whatever is not permitted without written authority from the proprietor. Property of FCI. Copyright FCI.

| | | | | | | | | | | | |
|-------------|------------------|-----|----|--------|---|---|---|---|---|-----|----|
| PRODUCT NO. | ROWS | PWR | | SIGNAL | | | | | | PWR | |
| | | E2 | P2 | 6 | 5 | 4 | 3 | 2 | 1 | P1 | E1 |
| 51940-149-- | D C B A | | | E | E | E | E | E | E | | |
| NOTE ③ | | | | E | E | E | E | E | E | | |



| CODE | DIM "M" MATING LENGTH | CONTACT TYPE |
|------|-----------------------------|-----------------|
| E | N/A [N/A] | SIGNAL |
| PA | .042 [1.07] | POWER |
| HA | N/A [N/A] | HOLD-DOWN |

| | | | | | | | | | | | |
|-------------|----------------|-------|----------|------------|-----------------------|---------------------------------------|--|------------------------|--|------------------------|--|
| mat'l code | | | | SEE NOTE 2 | | tolerances unless otherwise specified | | CUSTOMER | | www.fciconnect.com | |
| ltr | ecn no. | dr | date | linear | .XX±.01/0.X±0.3 | projection | | COPY | | | |
| A | DG05-0133 | GuoJM | 05/27/05 | angles | .XXX±.005/0.XX±0.13 | | | title | | | |
| | | | | dr | .XXX±.0020/0.XX±0.051 | | | IP + 24S + IP | | | |
| | | | | enr | 0°±2° | INCH/MM | | VERTICAL SOLDER RECEPT | | | |
| | | | | chr | JM Guo 05/27/05 | scale | | product family | | code | |
| | | | | appd | STEVEN WANG 05/27/05 | 1:1 | | PwrBlade | | 213 | |
| sheet index | revision sheet | A | A | A | A | | | size | | dwg no | |
| | | 1 | 2 | 3 | 4 | | | A | | 51940-149 | |
| | | | | | | | | | | sheet 1 of 4 | |
| | | | | | | | | | | cage code 22526 | |

Pro/E

PDM: Rev:A

STATUS: Released

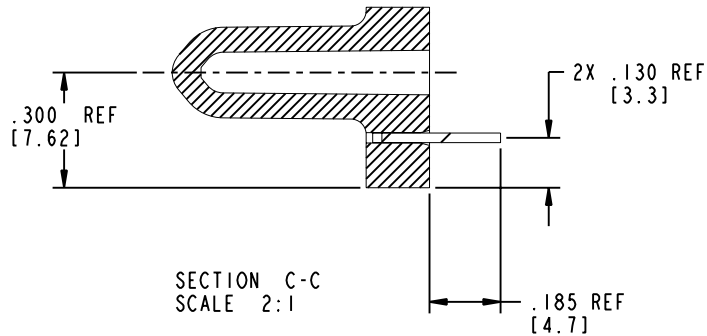
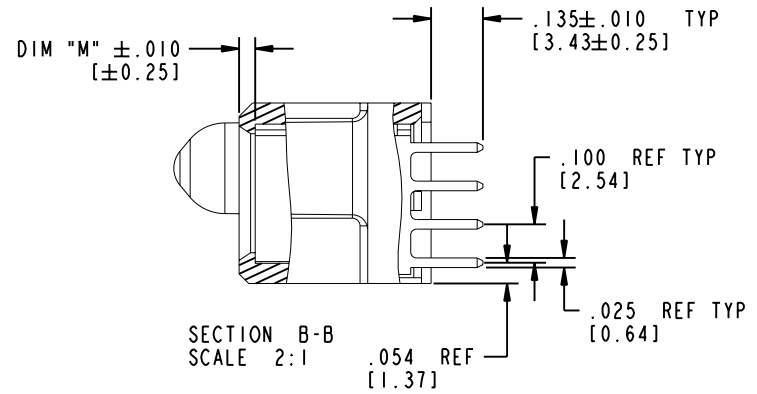
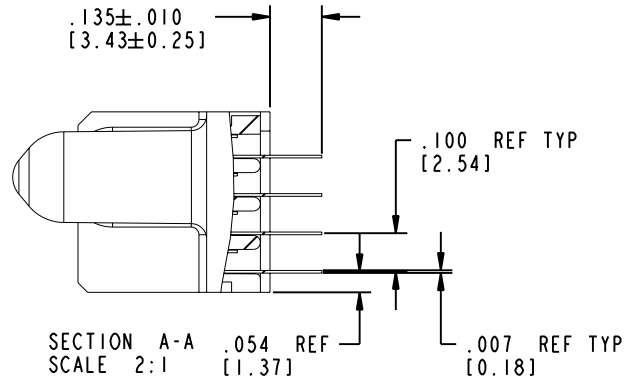
Printed: Dec 20, 2010

Tous droits strictement réservés. Reproduction ou communication o des tiers interdite sous quelque forme que ce soit sans autorisation écrite du propriétaire. Propriete de c FCI. Droits de reproduction FCI.

All rights strictly reserved. Reproduction or issue to third parties in any form whatever is not permitted without written authority from the proprietor. Property of FCI. Copyright FCI.

PRODUCT NUMBER

51940-149..
NOTE ③



| | | | | | | | | | |
|-------------|---------|----------------|------|---------------------------------------|------------------------|----------|--|--|--|
| mat'l code | | SEE NOTE 2 | | tolerances unless otherwise specified | | CUSTOMER | | www.fciconnect.com | |
| ltr | ecn no. | dr | date | linear | .XX±.01/0.X±0.3 | COPY | | title | |
| A | | | | projection | .XXX±.005/0.XX±0.13 | | | IP + 24S + IP VERTICAL SOLDER RECEIPT | |
| | | | | angles | .XXX±.0020/0.XXX±0.051 | INCH/MM | | product family | |
| | | | | dr | JM Guo 05/27/05 | scale | | PwrBlade code | |
| | | | | enr | STEVEN WANG 05/27/05 | 1:1 | | 213 | |
| | | | | chr | VICTOR LIN 05/27/05 | | | sheet | |
| | | | | appd | JOSEPH HSIA 05/27/05 | | | 2 of 4 | |
| sheet index | | revision sheet | | | | | | | |

Pro/E

cage code 22526

PDM: Rev:A

STATUS: Released

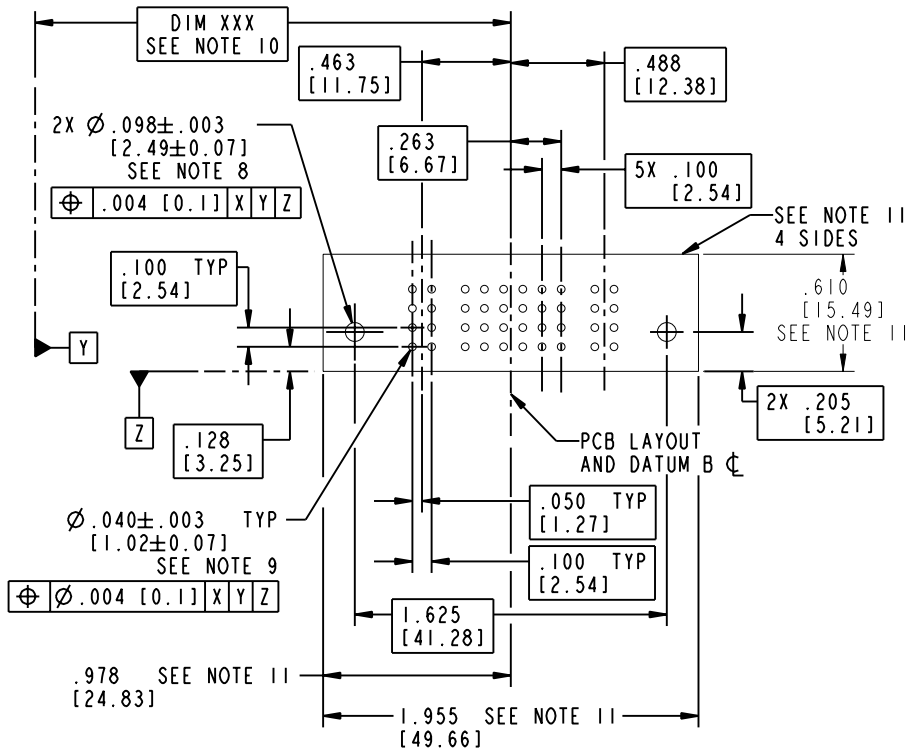
Printed: Dec 20, 2010

Tous droits strictement réservés. Reproduction ou communication o des tiers interdite
sous quelque forme que ce soit sans autorisation écrite du propriétaire.
Propriété de c FCI. Droits de reproduction FCI.

All rights strictly reserved. Reproduction or issue to third parties in any
form, whatever is not permitted without written authority from the proprietor.
Property of FCI. Copyright FCI.

A
FCI

PRODUCT NUMBER
51940-149..
NOTE ③



| | | | | | | | | | |
|-------------|----------------|------------|------|---------------------------------------|-----------------------|----------------|--|-------------------------------|--|
| mat'l code | | SEE NOTE 2 | | tolerances unless otherwise specified | | CUSTOMER | | FCI www.fciconnect.com | |
| ltr | ecn no. | dr | date | linear | .XX±.01/0.X±0.3 | COPY | | title | |
| A | | | | projection | .XXX±.005/0.XX±0.13 | INCH/MM | | IP + 24S + IP | |
| | | | | angles | .XXX±.0020/0.XX±0.051 | | | VERTICAL SOLDER RECEIPT | |
| | | | | dr | JM Guo 05/27/05 | product family | | PwrBlade code | |
| | | | | enrg | STEVEN WANG 05/27/05 | size | | 213 | |
| | | | | chr | VICTOR LIN 05/27/05 | A | | 51940-149 | |
| | | | | appd | JOSEPH HSIA 05/27/05 | scale | | 3 of 4 | |
| sheet index | revision sheet | | | | | 1:1 | | | |

Pro/E

cage code **22526**

Tous droits strictement réservés. Reproduction ou communication a des tiers interdite sous quelque forme que ce soit sans autorisation écrite du propriétaire. Propriété de c FCI. Droits de reproduction FCI.

A
FCI

All rights strictly reserved. Reproduction or issue to third parties in any form, whenever is not permitted without written authority from the proprietor. Property of FCI. Copyright FCI.

A

B

PRODUCT NUMBER

51940-149..
NOTE ③

NOTES:

1. DIMENSIONS AND TOLERANCES ARE IN ACCORDANCE WITH ASME Y14.5M, 1994 UNLESS OTHERWISE SPECIFIED.

CONNECTOR NOTES:

② HOUSING MATERIAL: UL 94 V-0 GLASS FILLED
HIGH-TEMP THERMOPLASTIC
POWER CONTACT MATERIAL: COPPER ALLOY
SIGNAL PIN MATERIAL: COPPER ALLOY

3. PLATING:

51940-149 Singal Pin:30u"/0.76um Au OVER 50u"/1.27um Ni ON THE CONTACT AREA,
AND 100u"/2.54um SnPb PLATING OVER 50u"/1.27um Ni ON THE TERMINATION SECTION.
Power Pin:30u"/0.76um Au OVER 50u"/1.27um Ni ON THE CONTACT AREA,
AND 100u"/2.54um SnPb PLATING OVER 50u"/1.27um Ni ON THE TERMINATION SECTION.

51940-149LF Singal Pin:30u"/0.76um Au OVER 50u"/1.27um Ni ON THE CONTACT AREA,
AND 78u"/2.00um Sn PLATING OVER 50u"/1.27um Ni ON THE TERMINATION SECTION.
Power Pin:30u"/0.76um Au OVER 50u"/1.27um Ni ON THE CONTACT AREA,
AND 78u"/2.00um Sn PLATING OVER 50u"/1.27um Ni ON THE TERMINATION SECTION.

PART NUMBER 51940-149LF MEETS EUROPEAN UNION DIRECTIVE AND OTHER COUNTRY REGULATIONS AS DESCRIBED IN GS-22-008.

THE HOUSING WILL WITHSTAND EXPOSURE TO 260° PEAK TEMPERATURE FOR 10 SECONDS IN A WAVE SOLDER APPLICATION WITH A CIRCUIT BOARD.

④ MANUFACTURER'S NAME, P/N, AND DATE CODE TO APPEAR ON THIS SURFACE.

5. PRODUCT SPECIFICATION GS-12-149.
APPLICATION SPECIFICATION BUS-20-067.

6. PACKAGED IN TRAYS.

PCB NOTES:


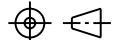
7. ALL HOLE DIAMETERS ARE FINISHED HOLE SIZE.

⑧ MOUNTING HOLES, WHERE APPLICABLE, ARE UNPLATED.

⑨ $\varnothing .0453 \pm .0010$ [1.151 ± 0.025] DRILLED HOLES PLATED WITH
.0003 [0.008] MIN SnPb OVER .001 [0.03]
TO .003 [0.08] Cu PLATING TO ACHIEVE
 $\varnothing .040 \pm .003$ [1.02 ± .07] HOLE.

⑩ "DIM XXX" TO BE DETERMINED BY THE CUSTOMER.

⑪ CONNECTOR KEEP-OUT ZONE.

| | | | | | | | | | |
|-------------|----------------|------------|------|---------------------------------------|------------------------|----------|---|--|--|
| mat'l code | | SEE NOTE 2 | | tolerances unless otherwise specified | | CUSTOMER | |  FCI www.fciconnect.com | |
| ltr | ecn no. | dr | date | linear | .XX±.01/0.XX±0.3 | | COPY | | title IP + 24S + IP VERTICAL SOLDER RECEPT |
| A | | | | | .XXX±.005/0.XX±0.13 | | projection | | |
| | | | | angles | .XXX±.0020/0.XXX±0.051 | |  | | product family PwrBlade code 213 |
| | | | | dr | JM Guo | 05/27/05 | INCH/MM | | |
| | | | | enr | STEVEN WANG | 05/27/05 | scale | | dwg no |
| | | | | chr | VICTOR LIN | 05/27/05 | 1:1 | | 51940-149 |
| | | | | appd | JOSEPH HSIA | 05/27/05 | | | sheet 4 of 4 |
| sheet index | revision sheet | | | | | | | | |

Pro/E

cage code **22526**

PDM: Rev:A

STATUS: **Released**

Printed: Dec 20, 2010