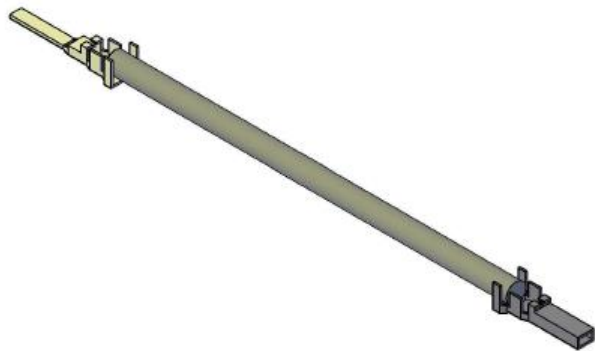
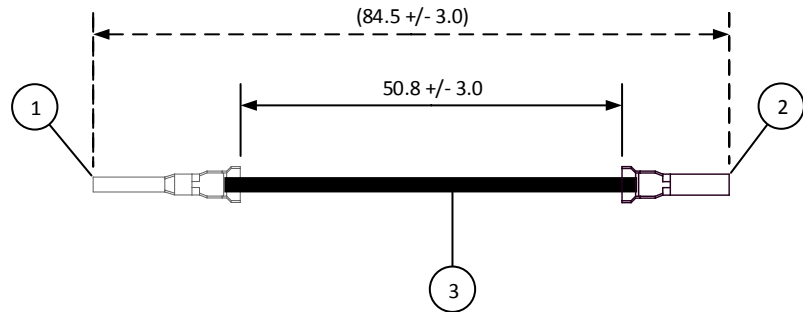


4		3		2		1	
ITEM	CONNECTOR PART NO.	DESCRIPTION		IPI CHECK	EOR CHECK	Applicable Tooling	
1	SYM-41T-P0.5A	YL CONNECTOR - MALE CONTACT				APPLICATOR	
2	SYF-41T-P0.5A	YL CONNECTOR - FEMALE CONTACT					
3	UL1015, 16 AWG	BLACK					

Applicable Housings

NO. OF CIRCUITS	HOUSING PART NO. FOR FEMALE CONTACT	HOUSING PART NO. WITH PANEL LOCKS FOR MALE CONTACT	HOUSING PART NO. WITHOUT PANEL LOCKS FOR MALE CONTACT
1	YLP-01V	-	YLR-01VF
2	YLP-02V	YLR-02V	YLR-02VF
3	YLP-03V	YLR-03V	YLR-03VF
4	YLP-04V	YLR-04V	YLR-04VF
6	YLP-06V	YLR-06V	YLR-06VF
8	YLP-08V	YLR-08V	YLR-08VF
9	YLP-09V	YLR-09V	-
12	YLP-12VA	YLR-12VA	-
15	YLP-15V	YLR-15V	-
16	YLP-16V	YLR-16V	-
21	YLP-21V	YLR-21V	-



SCALE	CUSTOMER NAME	CUSTOMER PART NO.
1: 1		
DIMENSIONS	DESCRIPTION	
All dimensions are in MM with a tolerance of +/- 3.0 unless otherwise specified.	4.5 mm Pitch YL Series Standard Leads - 2" Inside Length DOUBLE-END LEADS, M-F	
DRAWN BY	ASSEMBLY PART NO.	
STEVEN PILKINGTON	ASYMSYF16K51	
CHECKED BY	DRAWING NO. & REVISION	REVISED
JUSTIN BAKER	GAM-091	3/9/2016

REV.	DESCRIPTION	DATE	BY

4

3

2

1