

THIS DRAWING IS UNPUBLISHED. RELEASED FOR PUBLICATION
 © COPYRIGHT - BY TYCO ELECTRONICS CORPORATION. ALL RIGHTS RESERVED.

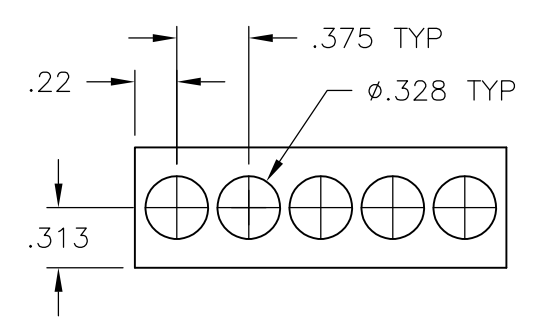
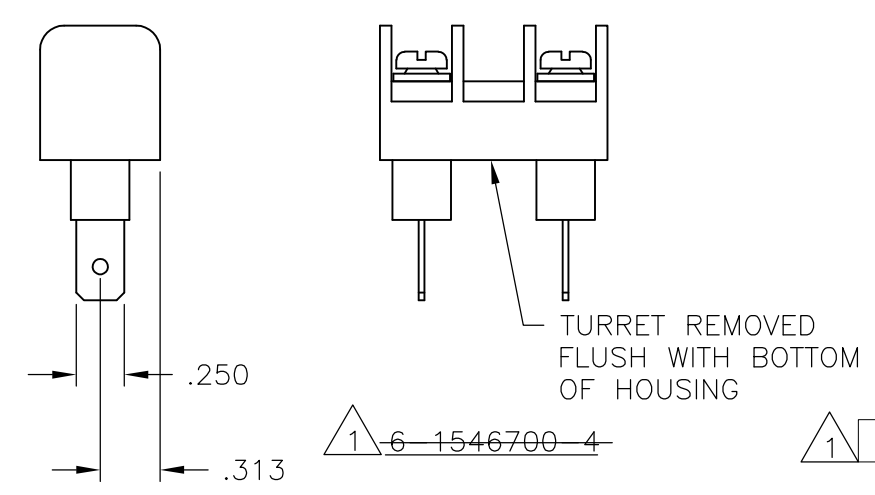
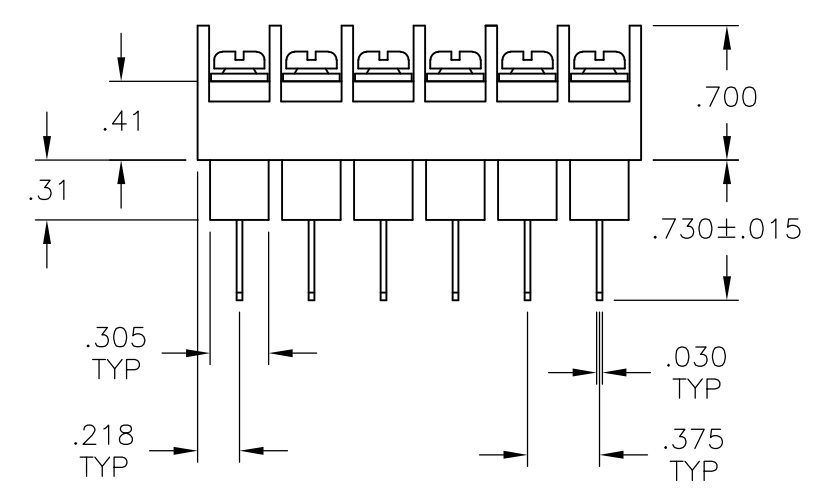
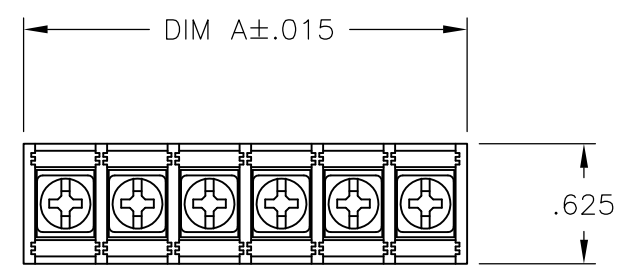
LOC	DIST	REVISIONS					
FT	0	P	LTR	DESCRIPTION	DATE	DWN	APVD
			C2	REVISED PER ECO-10-013614	13OCT10	HMR	CR

MATERIAL:
 HOUSING: THERMOPLASTIC, UL94V-0, BLACK.
 TERMINALS: COPPER ALLOY, TIN PLATED.
 SCREWS: 6-32 STEEL, ZINC PLATED AND CHROMATED.

ELECTRICAL:
 OPERATING CURRENT UL/CSA:
 CLASS C: 20A, 300V
 CLASS D: 5A, 600V
 WIRE RANGE: 12-22 AWG.

MECHANICAL:
 OPERATING TEMP.: +105°C MAX.
 RECOMMENDED TORQUE: 7 IN-LB.

1 OBSOLETE PARTS: OBSOLETE CIS STREAMLINING PER D.RENAUD/D.SINISI



MOUNTING PANEL LAYOUT

9.436	25	JC6-Q408-25	6-1546700-3
9.061	24	JC6-Q408-24	6-1546700-2
8.686	23	JC6-Q408-23	6-1546700-1
8.311	22	JC6-Q408-22	6-1546700-0
7.936	21	JC6-Q408-21	5-1546700-9
7.561	20	JC6-Q408-20	5-1546700-8
7.186	19	JC6-Q408-19	5-1546700-7
6.811	18	JC6-Q408-18	5-1546700-6
6.436	17	JC6-Q408-17	5-1546700-5
6.061	16	JC6-Q408-16	5-1546700-4
5.686	15	JC6-Q408-15	5-1546700-3
5.311	14	JC6-Q408-14	5-1546700-2
4.936	13	JC6-Q408-13	5-1546700-1
4.561	12	JC6-Q408-12	5-1546700-0
4.186	11	JC6-Q408-11	4-1546700-9
3.811	10	JC6-Q408-10	4-1546700-8
3.436	9	JC6-Q408-09	4-1546700-7
3.061	8	JC6-Q408-08	4-1546700-6
2.686	7	JC6-Q408-07	4-1546700-5
2.311	6	JC6-Q408-06	7-1437665-7
1.936	5	JC6-Q408-05	7-1437665-6
1.561	4	JC6-Q408-04	4-1546700-4
1.186	3	JC6-Q408-03-187	6-1546700-4
1.186	3	JC6-Q408-03	7-1437665-5
.811	2	JC6-Q408-02	7-1437665-4
DIM. A	NO. OF POS.	CATALOG NUMBER	PART NO.

1 OBSOLETE

THIS DRAWING IS A CONTROLLED DOCUMENT.		DWN	S SCHLEGEL	12/18/03	Tyco Electronics Corporation Harrisburg, PA 17105				
DIMENSIONS: INCHES		CHK	S YODER	12/18/03				NAME	
TOLERANCES UNLESS OTHERWISE SPECIFIED:		APVD	S YODER	12/18/03	JC6-Q408-XX ASSEMBLY				
0 PLC ± - 1 PLC ± - 2 PLC ± .02 3 PLC ± .010 4 PLC ± - ANGLES ± -		PRODUCT SPEC		SIZE			CAGE CODE	DRAWING NO	RESTRICTED TO
MATERIAL		FINISH		WEIGHT		A3 00779		G-7-1437665-4	
CUSTOMER DRAWING				SCALE		SHEET		REV	
				NTS		1 OF 1		C2	