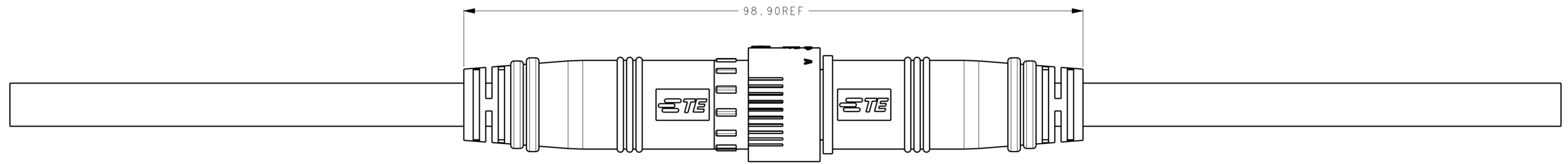
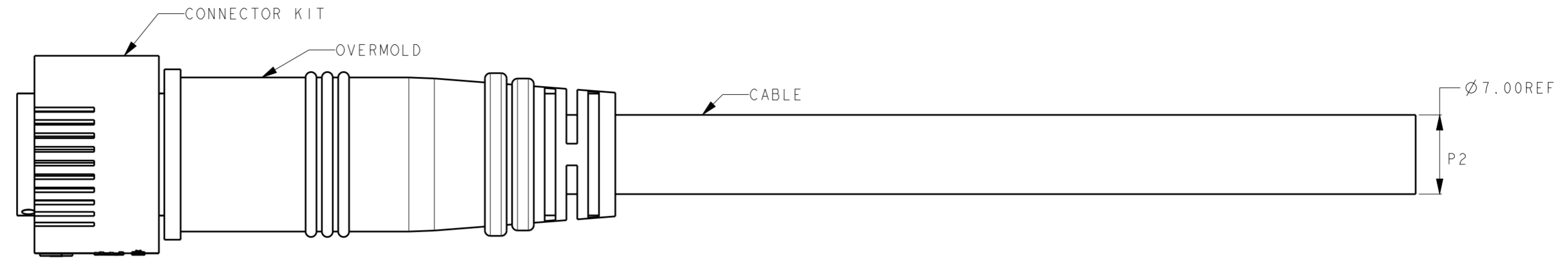
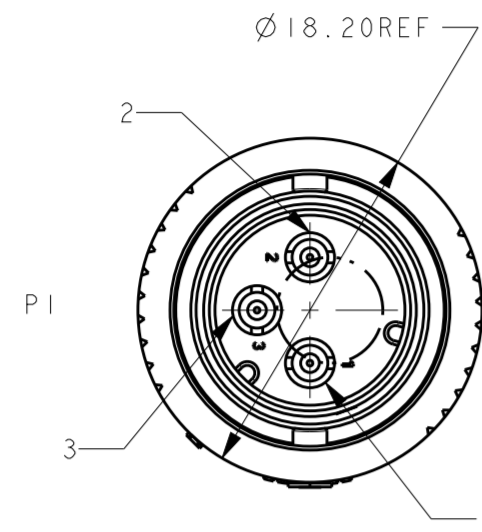


THIS DRAWING IS UNPUBLISHED. RELEASED FOR PUBLICATION 20  
 © COPYRIGHT 20 BY - ALL RIGHTS RESERVED.

| LOC | DIST | REVISIONS   |               |           |         |
|-----|------|-------------|---------------|-----------|---------|
| P   | LTR  | DESCRIPTION | DATE          | DWN       | APVD    |
| -   | -    | A           | RELEASE       | 02APR2015 | M.S X.X |
| -   | -    | AI          | UPDATE TABLE  | 16APR2015 | M.S X.X |
| -   | -    | B           | ECR-16-015004 | 25OCT2016 | M.S X.X |
| -   | -    | BI          | ECR-17-000249 | 05JAN2017 | M.S X.X |



MATE WITH 2834003 SERIES

| WIRING DIAGRAM |            |    |
|----------------|------------|----|
| P1             | WIRE COLOR | P2 |
| PI-1           | RED        | -  |
| PI-2           | BLACK      | -  |
| PI-3           | BROWN      | -  |

NOTES:  
 1. MATE WITH 2834003 SERIES.  
 2. RATINGS:  
 VOLTAGE: 300V AC/DC  
 CURRENT: 6A MAX.  
 TEMPERATURE: 80°C

| P/N         | CABLE                                       | DIM A | L (mm)  |
|-------------|---|-------|---------|
| 9-2834002-1 | RUBBER<br>(THERMOPLASTIC<br>ELASTOMER TYPE) | Ø8.0  | 150±5   |
| 9-2834002-2 |   |       | 250±10  |
| 9-2834002-3 |   |       | 500±15  |
| 9-2834002-4 |   |       | 1000±15 |

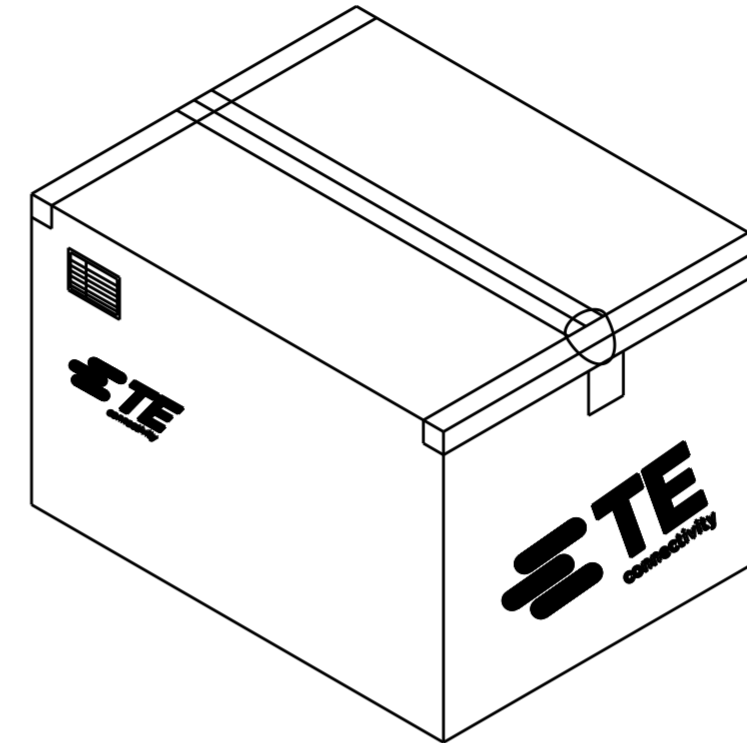
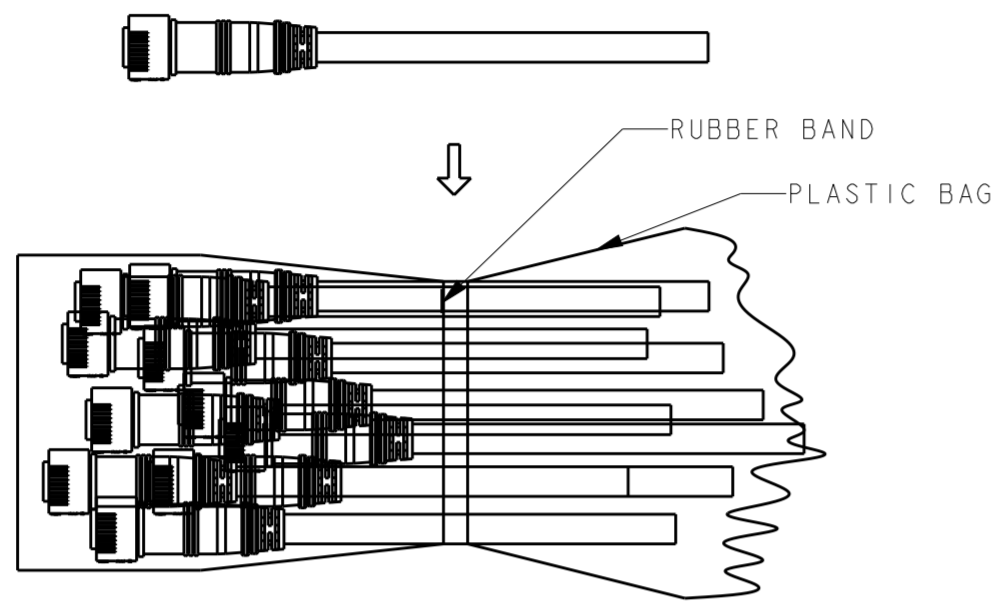
|   |  |                                |  |                    |
|---|--|--------------------------------|--|--------------------|
| THIS DRAWING IS A CONTROLLED DOCUMENT.  |  | DWN<br>SHI MING 10SEP2014      | <b>STE</b> TE Connectivity                                       |                    |
| DIMENSIONS:<br>mm   |  | CHK<br>SHI MING 10SEP2014      |  |                    |
| TOLERANCES UNLESS OTHERWISE SPECIFIED:<br>0 PLC ±-<br>1 PLC ±1.0<br>2 PLC ±0.5<br>3 PLC ±-<br>4 PLC ±-<br>ANGLES ±-<br>FINISH |  | APVD<br>XU XIANG 10SEP2014     | NAME<br>3P MALE CABLE ASSEMBLY<br>CIRCULAR LIGHTING SEALED CONN. |                    |
| MATERIAL  |  | PRODUCT SPEC<br>108-137041     | SIZE<br>A2   | CAGE CODE<br>-     |
|   |  | APPLICATION SPEC<br>114-137041 | DRAWING NO<br>G-2834002  | RESTRICTED TO<br>- |
|   |  | WEIGHT<br>-                    | SCALE<br>NTS   | SHEET 1 OF 2       |
|   |  | Customer Drawing               | REV<br>BI  |                    |

THIS DRAWING IS UNPUBLISHED. RELEASED FOR PUBLICATION 20  
 © COPYRIGHT 20 BY - ALL RIGHTS RESERVED.

| LOC |     | DIST        |      | REVISIONS |      |  |  |
|-----|-----|-------------|------|-----------|------|--|--|
| P   | LTR | DESCRIPTION | DATE | DWN       | APVD |  |  |
| -   | -   | SEE SHEET 1 | -    | -         | -    |  |  |
|     |     |             |      |           |      |  |  |
|     |     |             |      |           |      |  |  |

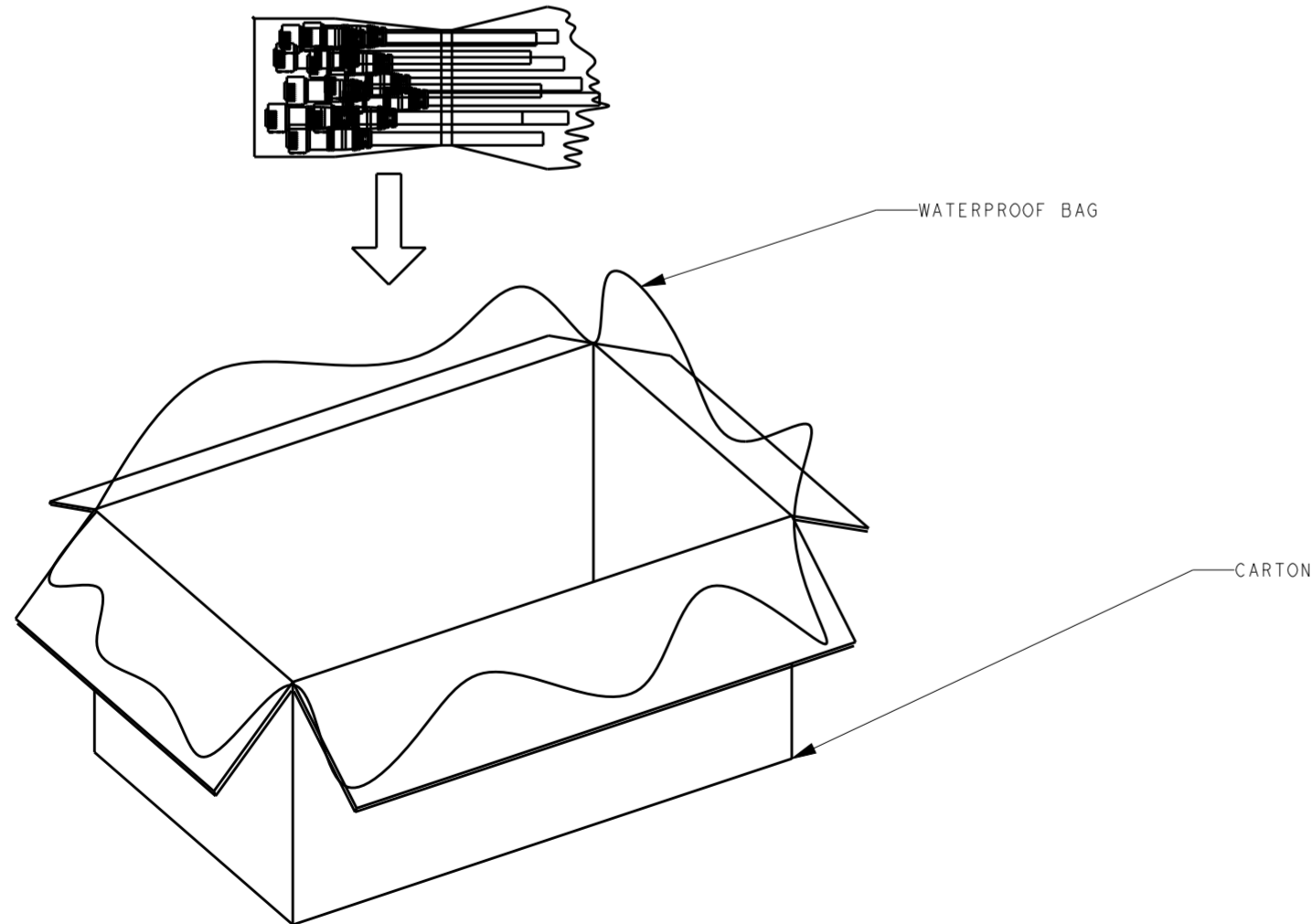
1. PUT PIECES OF PARTS INTO THE PLASTIC BAG, AND SEALED WITH RUBBER BAND AS 1 BUNCH.

3. SEAL THE CARTON.



2. PUT BUNCHES OF PARTS INTO CARTON.

4. PACKAGING QUANTITIES(REFER SHEET 1 FOR PN DEFINITION):



| P/N         | PARTS PER CARTON (PCS) |
|-------------|------------------------|
| 9-2834002-1 | 500                    |
| 9-2834002-2 | 260                    |
| 9-2834002-3 | 90                     |
| 9-2834002-4 | 60                     |

|  |  |                             |  |              |
|--|--|-----------------------------|--|--------------|
| THIS DRAWING IS A CONTROLLED DOCUMENT. |  | DWN SHI MING 10SEP2014      | <b>STE</b> TE Connectivity                                 |              |
| DIMENSIONS: mm                         |  | CHK SHI MING 10SEP2014      |  |              |
| TOLERANCES UNLESS OTHERWISE SPECIFIED: |  | APVD XU XIANG 10SEP2014     | NAME 3P MALE CABLE ASSEMBLY CIRCULAR LIGHTING SEALED CONN. |              |
| 0 PLC ±-                               |  | PRODUCT SPEC 108-137041     | RESTRICTED TO -  |              |
| 1 PLC ±1.0                             |  | APPLICATION SPEC 114-137041 | SIZE A2  | CAGE CODE -  |
| 2 PLC ±0.5                             |  | WEIGHT -                    | DRAWING NO C-2834002                                       |              |
| 3 PLC ±-                               |  | Customer Drawing            | SCALE NTS  | SHEET 2 OF 2 |
| 4 PLC ±-                               |  |                             |  | REV B1       |
| ANGLES ±-                              |  |                             |  |              |
| FINISH ±-                              |  |                             |  |              |