

APPLICATOR STYLE CONVERSION CHART. Table with columns: PART NUMBER, REVISION, DESCRIPTION, FEED TYPE, CONVERT TO, PART NUMBERS REQUIRED. Includes a diagram of the applicator.

APPLICATOR DATA. Table with columns: CRIMP, SIZE, TYPE. Includes APPLICATOR INSTRUCTIONS 408-10389.

TERMINAL DATA: JST TERMINAL JST CRIMP SPECIFICATION. Table with columns: TE TERMINAL, JST TERMINAL, TE TERMINAL, JST TERMINAL.

WIRE SIZE CRIMP HEIGHT mm [INCH] CRIMP HEIGHT REFERENCE SETTING. Table with columns: WIRE SIZE, CRIMP HEIGHT, CRIMP HEIGHT REFERENCE SETTING.



- RECOMMENDED SPARE PARTS
GREASE BEARING SURFACES LIGHTLY
3. LUBRICATE DAILY PER THE APPLICATOR INSTRUCTION SHEET SUPPLIED WITH THE APPLICATOR.
4. APPLICATOR SPECIFIC DATA TO BE ENTERED INTO BLANK MEMORY CHIP AT ASSEMBLY...

*WARNING
ON INSTALLATION, SET WIRE DISC, ITEM 40 TO LARGEST WIRE SIZE SETTING. USE OF SETTINGS BELOW MINIMUM REQUIRED CRIMP HEIGHT SETTING WILL CAUSE DAMAGE TO CRIMP TOOLING.

Table with columns: PART NO, DESCRIPTION, ITEM NO. Lists items like APPLICATOR SHIM PACK, O-RING, PUSH ROD, BUSHING.

ATLANTIC VERSION
Shown on sheets 1 of 4 & 2 of 4
(Pacific version shown on sheets 3 of 4 & 4 of 4)

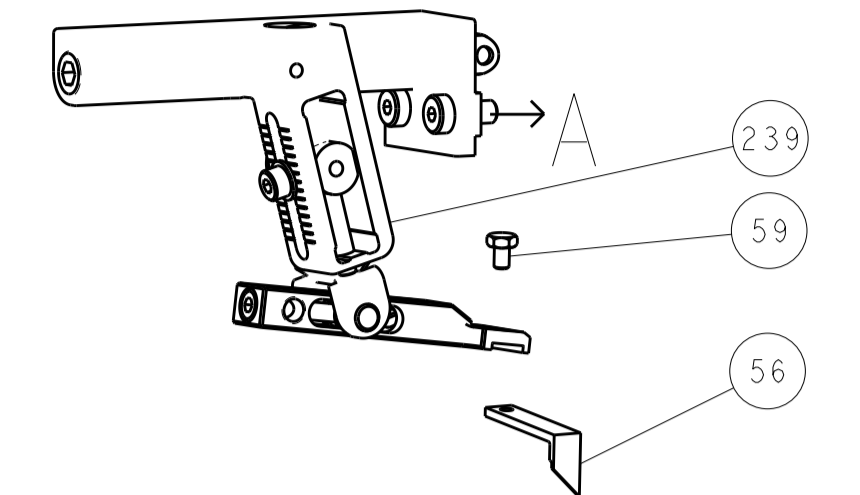
SET UP GAUGE 2119599-1. Table with columns: LOC, DIST, REVISIONS. Includes revision table with columns: P, LTR, DESCRIPTION, DATE, DWN, APVD.

Main parts list table with columns: P, LTR, DESCRIPTION, DATE, DWN, APVD. Lists various components like FEED CAM, DETENT PIN, SPRING, RAM, etc.

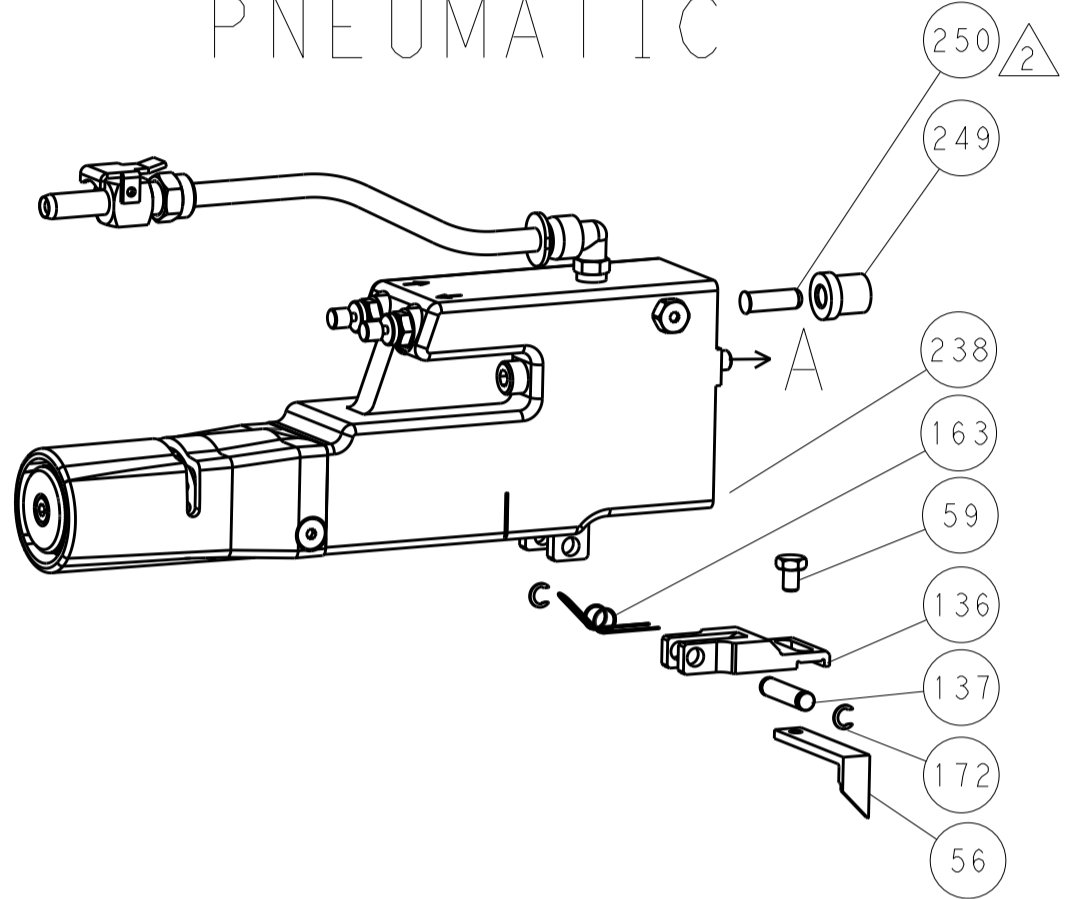
Technical drawing information including DIMENSIONS, TOLERANCES, MATERIAL, FINISH, WEIGHT, SCALE, SHEET 1 of 4, and REV B.

LOC		DIST		REVISIONS				
A	66	P	LTM	DESCRIPTION	DATE	DWN	APVD	
-	-	-	-	SEE SHEET 1	-	-	-	

FEED TYPE MECHANICAL



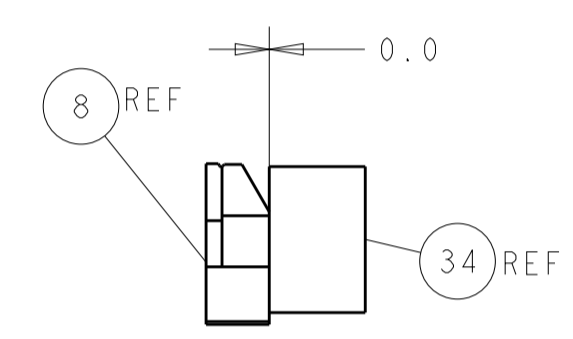
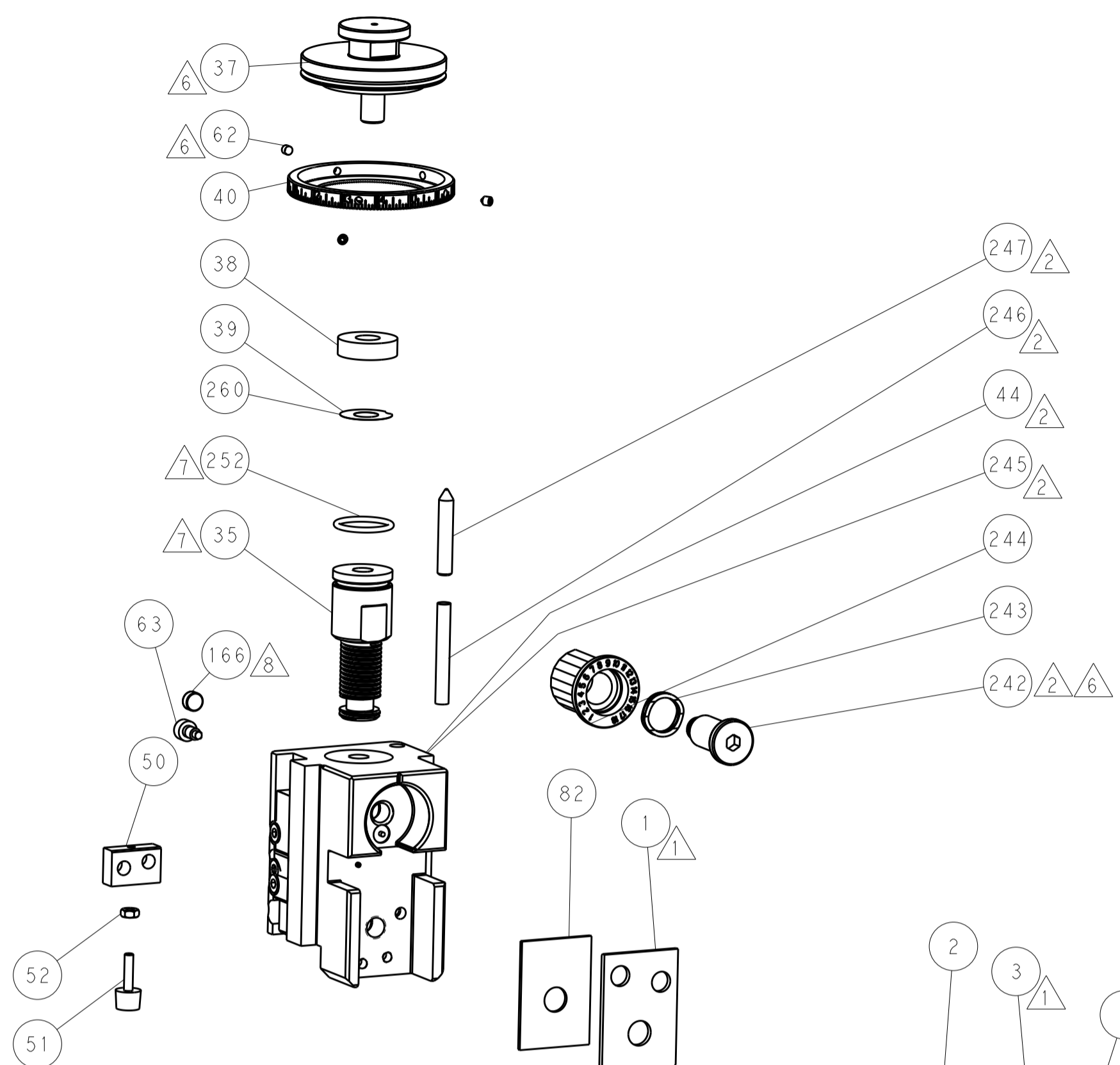
PNEUMATIC



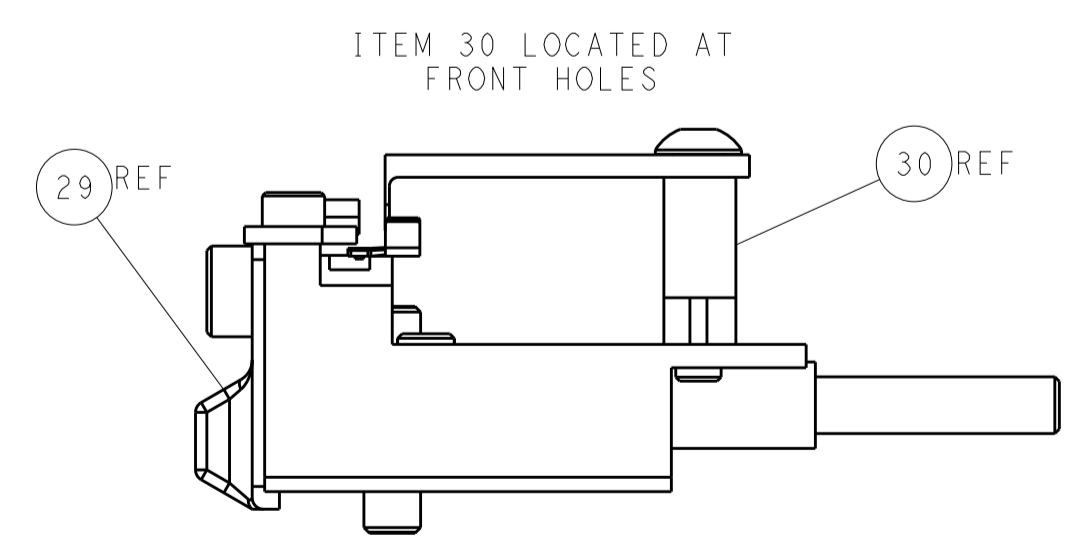
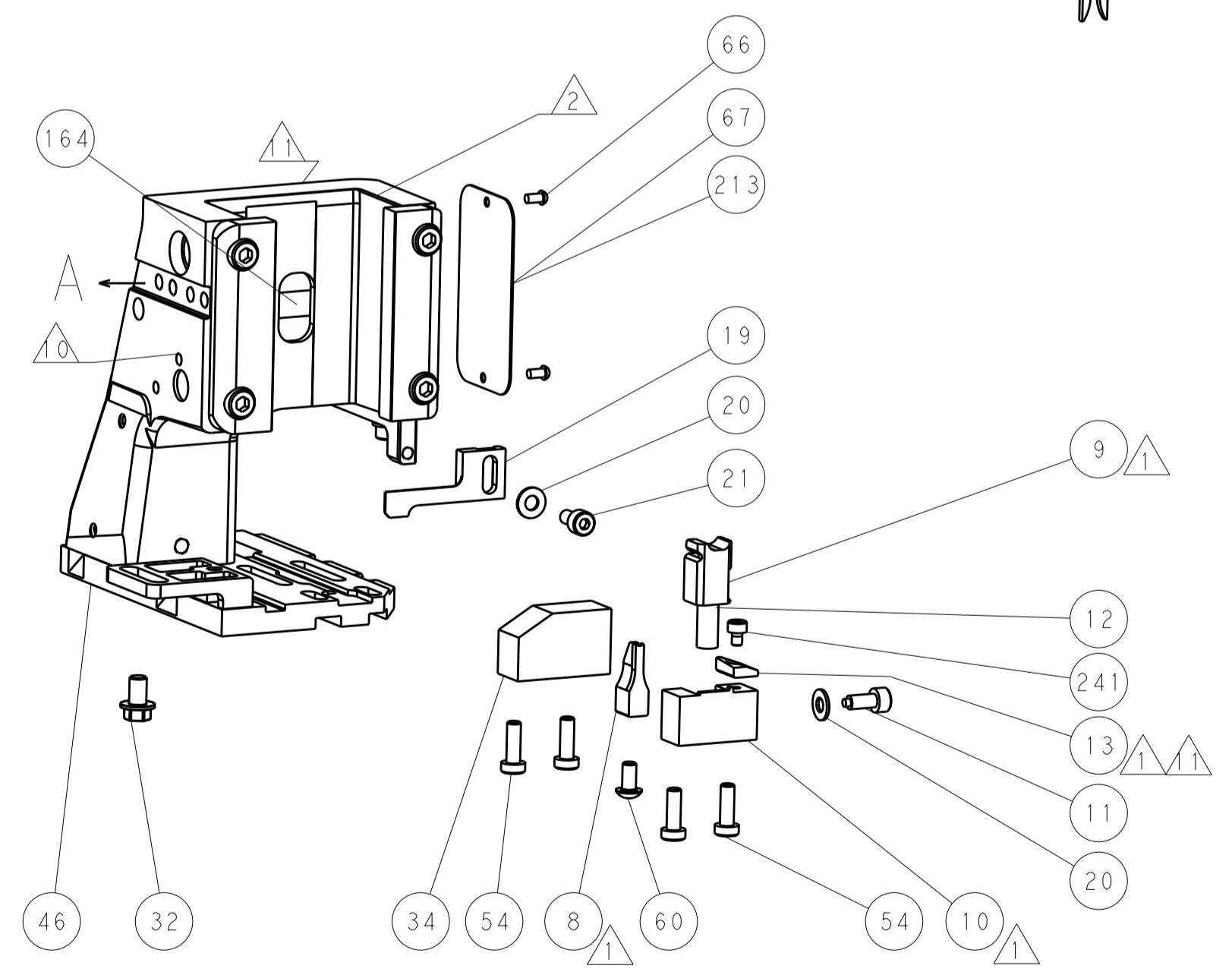
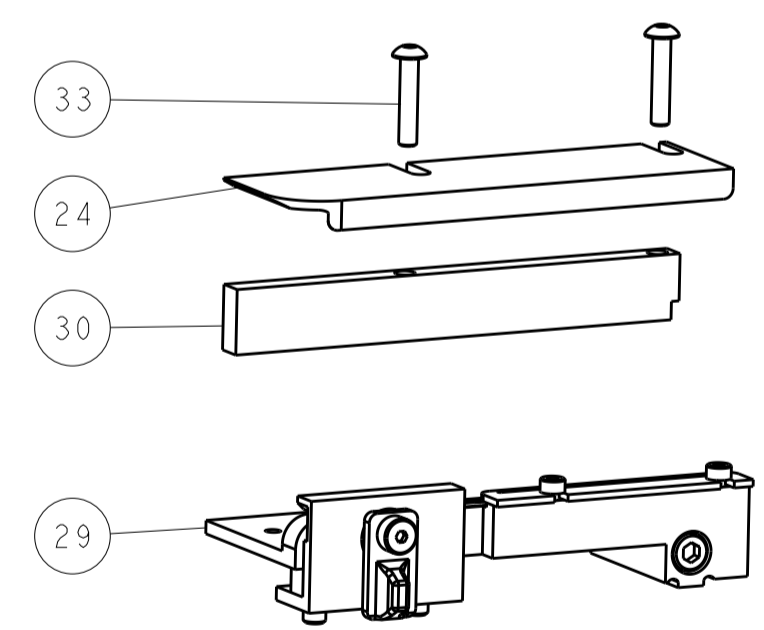
SERVO LATCH PLATE



CAM POSITIONS



TERMINAL SUPPORT LOCATION



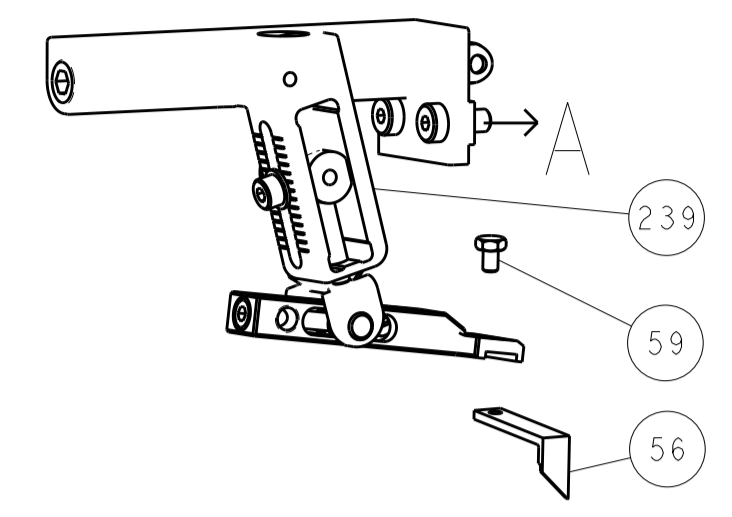
ITEM 30 LOCATED AT FRONT HOLES

ATLANTIC VERSION
 Shown on sheets 1 of 4 & 2 of 4
 (Pacific version shown on sheets 3 of 4 & 4 of 4)

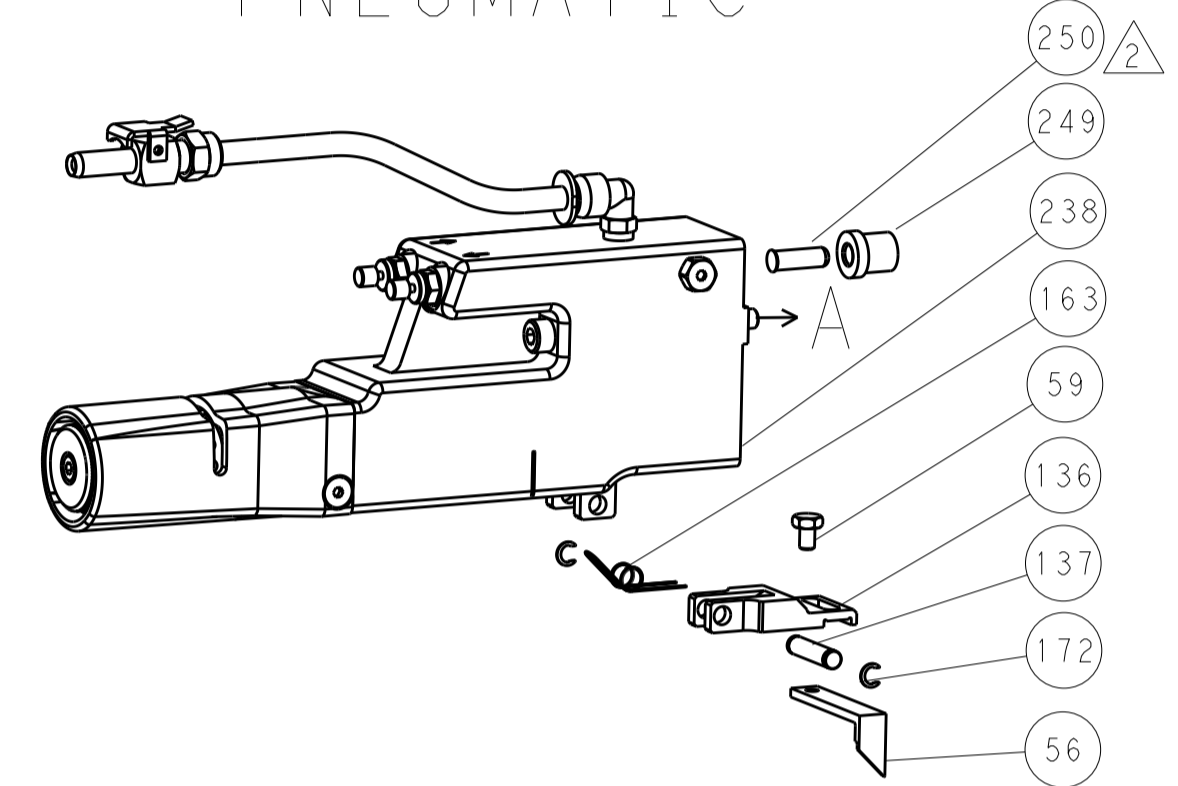
DIMENSIONS:		TOLERANCES UNLESS OTHERWISE SPECIFIED:		DWN Y. YIN 21MAR2014		TE Connectivity	
mm	0 PLC ±	1 PLC ±	2 PLC ±	3 PLC ±	4 PLC ±	Harrisburg, PA 17105-3608	
MATERIAL:		FINISH:		CHK G. BAILEY 21MAR2014		NAME Ocean Side Feed Applicator	
				APVD H. GUO 21MAR2014		RESTRICTED TO	
				PRODUCT SPEC		SIZE CAGE CODE DRAWING NO	
				APPLICATION SPEC		A1 00779 ©=2266235	
				WEIGHT		SCALE 1:2 SHEET 2 OF 4 REV B	
				Customer Accessible Production Drawing		SHEETS 3 & 4 ARE NOT REQUIRED FOR ATLANTIC VERSION	

LOC		DIST		REVISIONS			
A	66	P	LTM	DESCRIPTION	DATE	OWN	APVD
		-		SEE SHEET 1			

FEED TYPE MECHANICAL



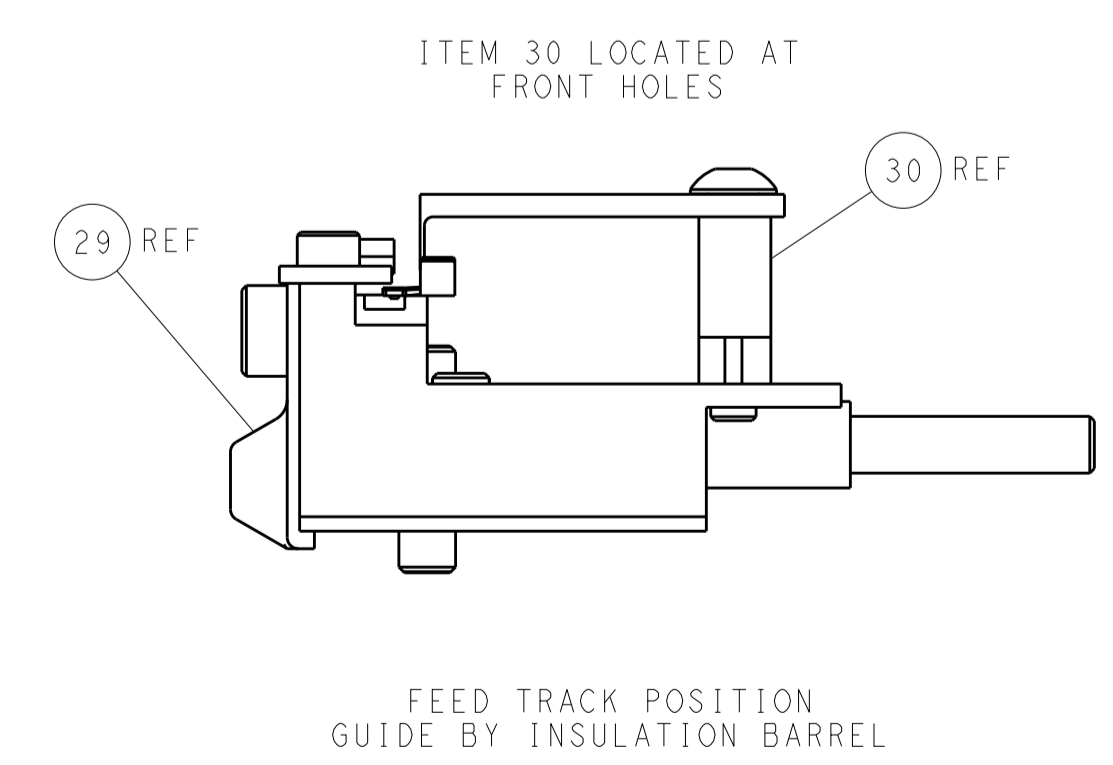
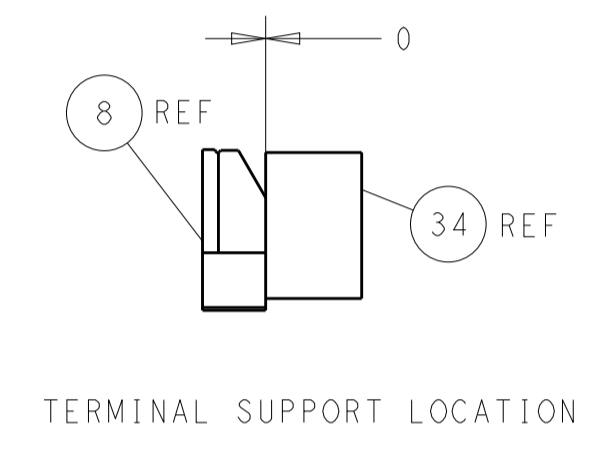
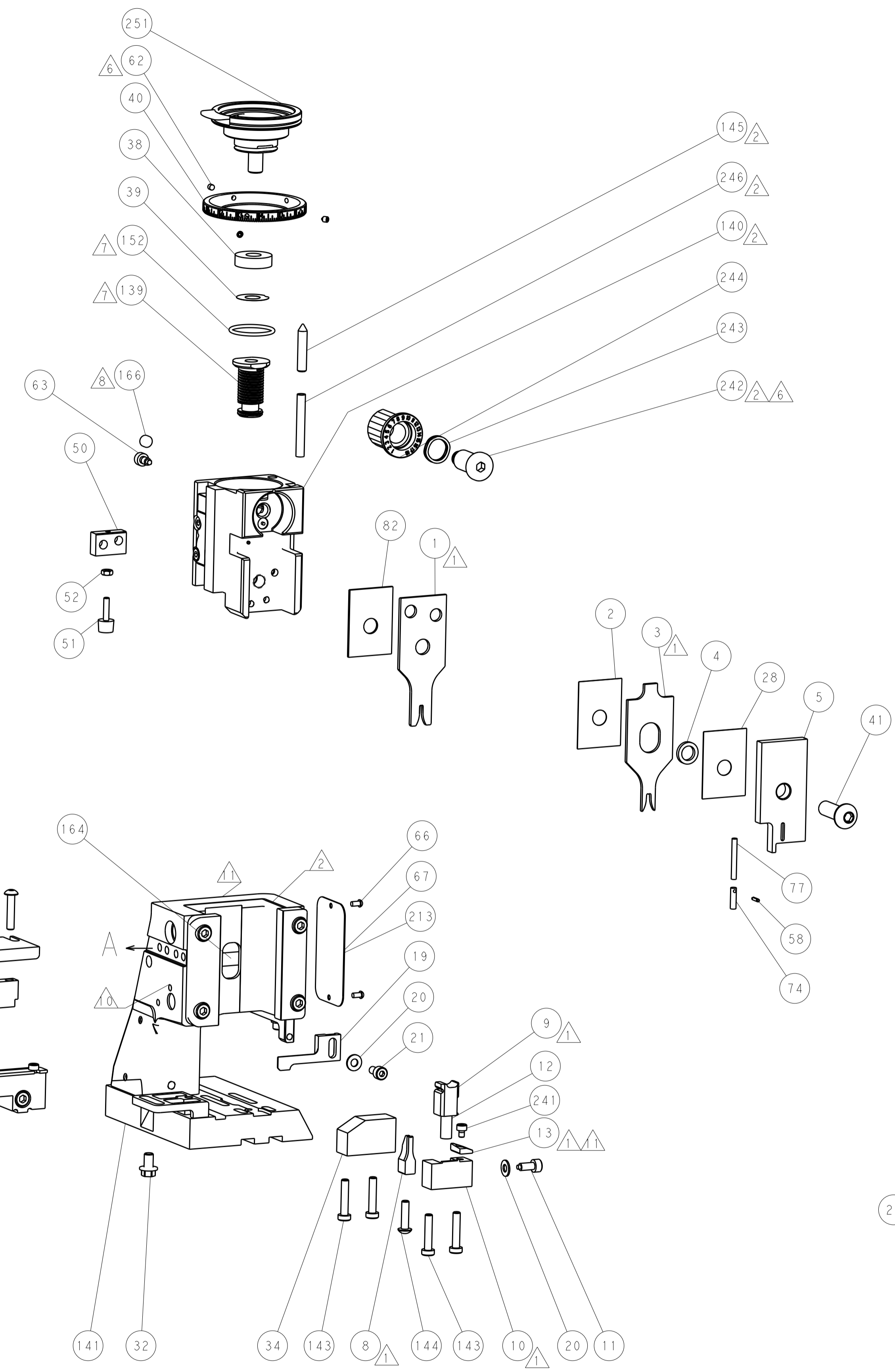
PNEUMATIC



SERVO LATCH PLATE



CAM POSITIONS



PACIFIC VERSION
 Shown on sheets 3 of 4 & 4 of 4
 (Atlantic version shown on sheets 1 of 4 & 2 of 4)

DIMENSIONS:		TOLERANCES UNLESS OTHERWISE SPECIFIED:		DWN Y. YIN 21MAR2014		STE TE Connectivity	
mm	0 PLC ±	1 PLC ±	2 PLC ±	3 PLC ±	4 PLC ±	Harrisburg, PA 17105-3608	
MATERIAL:		FINISH:		CHK G. BAILEY 21MAR2014		NAME	
				APVD JJ. GUO 21MAR2014		Ocean Side Feed Applicator	
				PRODUCT SPEC		SIZE CAGE CODE DRAWING NO	
				APPLICATION SPEC		RESTRICTED TO	
				WEIGHT		A 00779 C=2266235	
				Customer Accessible Production Drawing		SCALE 1:2 SHEET 4 OF 4 REV B	