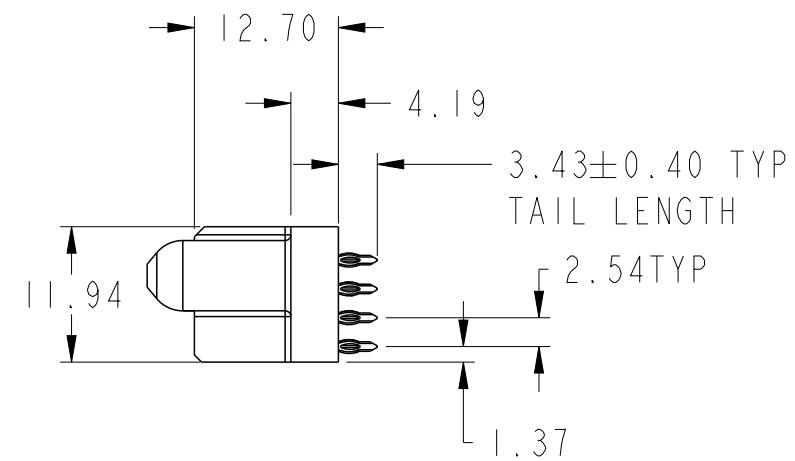
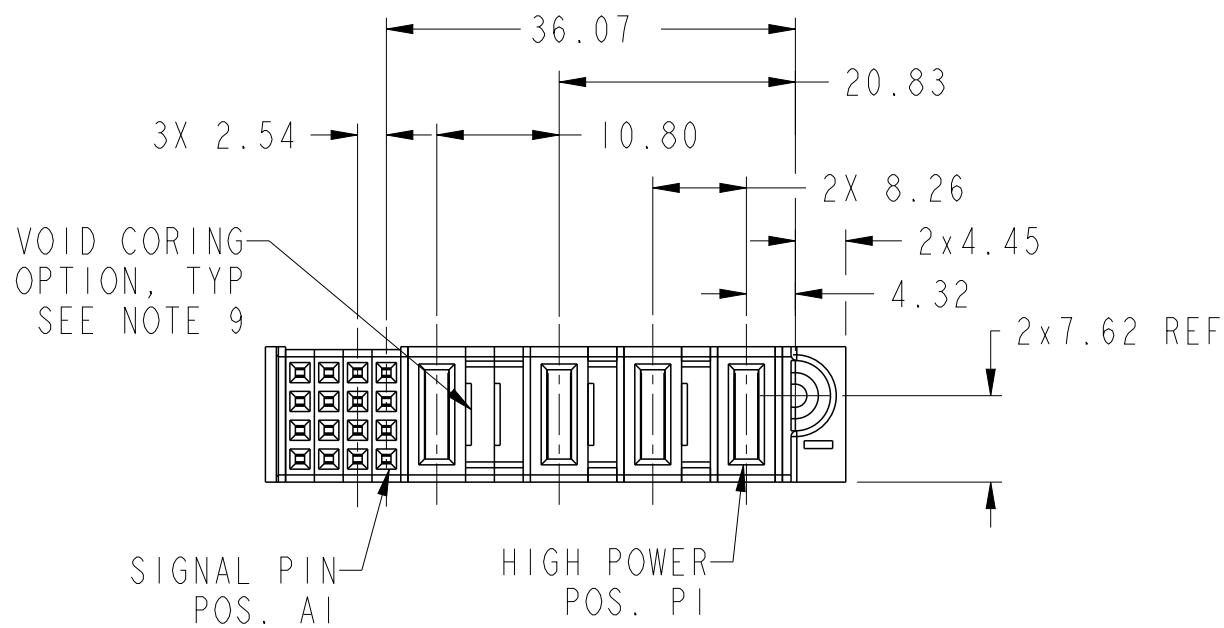
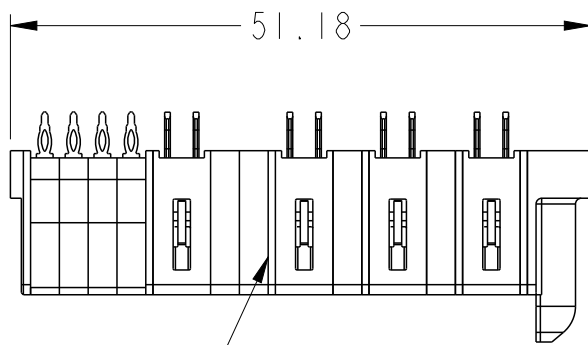
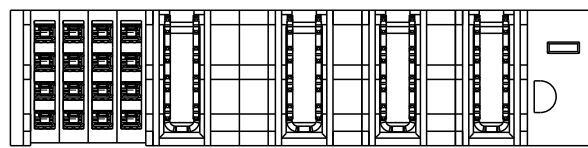


PRODUCT NUMBER SEE SHEET 2

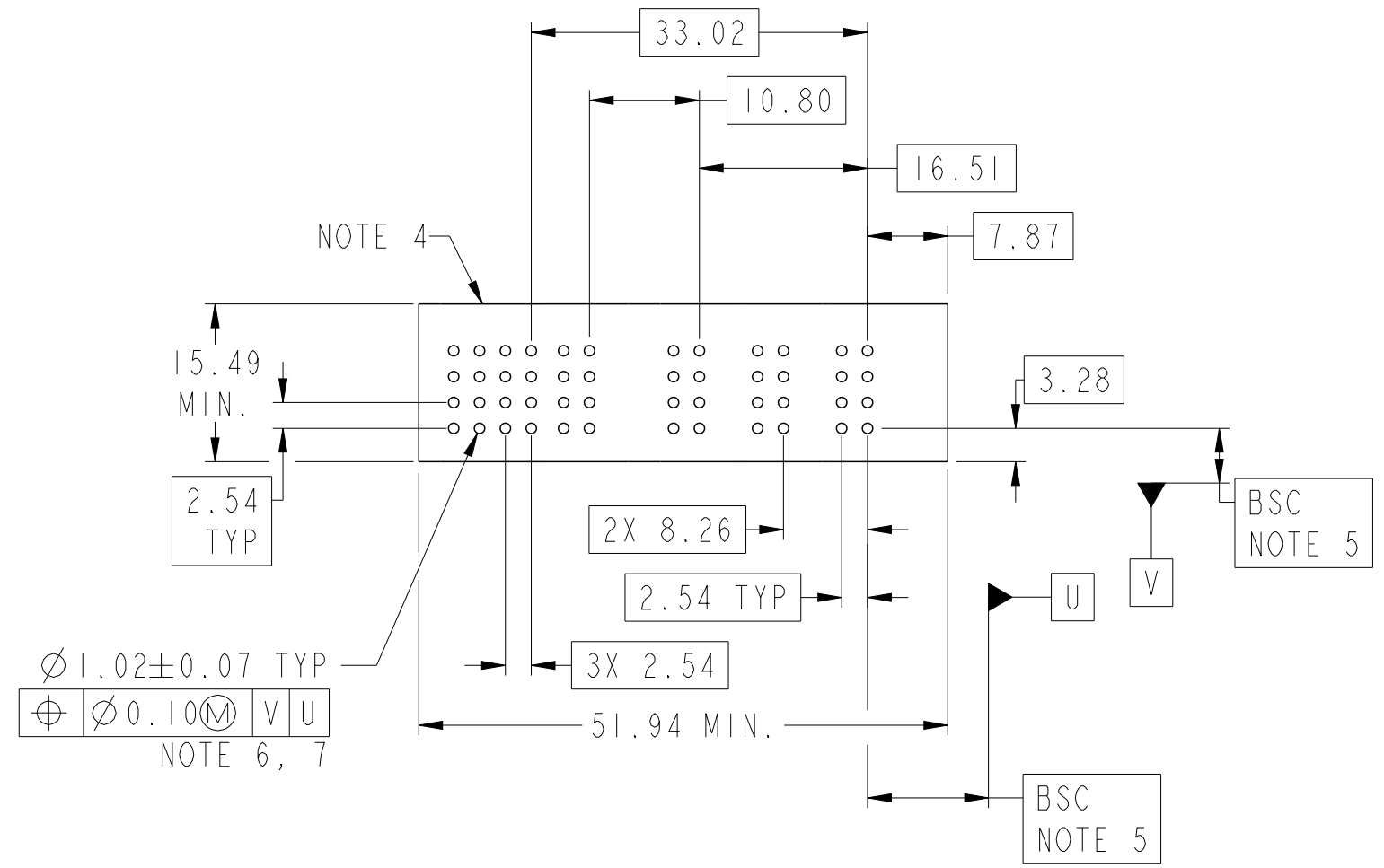


spec ref		dr	Peng-Bing Fu	2012/07/24	projection	MM	size	A3	scale	3:2
tolerance std		eng	Xie Bob	2013/05/20			ecn no		-	
ASME Y14.5		chr	-	-			rel level		Released	
TOLERANCES UNLESS OTHERWISE SPECIFIED		appr	Pei-Ming Zheng	2013/05/20	product family		PowerBlade+		-	
surface		linear	0.X	±0.50		4P + 16S VT PF RECEPTACLE		dwg no 10106269-4004001	rev A	
			0.XX	±0.25						
			0.XXX	±0.10						
ASME Y14.5	angular	0°	±2°	www.fci.com	cat. no.	Product - Customer Drw		sheet 1 of 3		

Copyright FCI. FCI

PRODUCT NO.	ROWS	SIGNAL				HIGH POWER				E2
		E1	4	3	2	1	P4	P3	P2	
10106269-4004001LF	D C B A	F	F	F	F	HD	HG	HG	HG	

CODE	DESCRIPTION
F	STD SIGNAL CONTACT
HD	MFBL HIGH POWER CONTACT (3.43)
HG	STD HIGH POWER CONTACT (3.43)



Copyright FCI.

dr	Peng-Bing Fu	2012/07/24	projection		MM	size	A3	scale	3:2
eng	Xie Bob	2013/05/20	chr	-	ecn no	-	rel level	Released	
appr	Pei-Ming Zheng	2013/05/20	product family	PowerBlade+					
	4P + 16S	VT PF RECEPTACLE	cat. no.	Product - Customer Drw		dwg no	10106269-4004001	rev	A
www.fci.com			sheet 2 of 3						

A

B

C

D

A

B

C

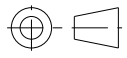
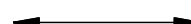

D

NOTES:

- 1) "FCI", PART NUMBER AND DATE CODE TO BE MARKED ON THIS SURFACE.
THE MARK CAN BE OMITTED IF THERE IS NOT ENOUGH SPACE ON THIS SURFACE.
- 2) MATERIALS:
-HOUSING - GLASS FILLED WITH HIGH TEMP THERMOPLASTIC, UL94V-0.
-SIGNAL CONTACT - COPPER ALLOY.
-POWER CONTACT - HIGH CONDUCTIVITY COPPER ALLOY.
- 3) PLATING SPECIFICATION REFER TO FCI 10116351
- 4) DENOTES CONNECTOR KEEP OUT ZONE.
- 5) DATUM AND BASIC DIMENIONS WERE ESTABLISHED BY CUSTOMER.
- 6) ALL HOLE DIAMETERS ARE FINISHED HOLE SIZES.
- 7) 1.15 ± 0.025MM DRILLED HOLE PLATED WITH 0.00762MM MIN Sn
OVER 0.0254-0.0762MM Cu PLATING TO ACHIEVE A 1.02 ± 0.07MM HOLE.
- 8) PRODUCT SPECIFICATION REFER TO FCI GS-12-658.
APPLICATION SPECIFICATION REFER TO FCI GS-20-141.
PRODUCT PACKAGED IN TRAYS, REFER TO FCI GS-14-1502.
- 9) THE VOID CORING IN BETWEEN POWER MODULES, SIGNAL
MODULES AND END MODULES ARE OPTIONAL AND THE SHAPE
MAY BE DIFFERENT FOR OPTIMIZE THE MOLDING PROCESS. THE
VOID CORING WILL NOT EFFECT TO PRODUCT FUNCTION.



Copyright FCI.

dr	Peng-Bing Fu	2012/07/24	projection 	MM 	size	A3	scale	1:1
eng	Xie Bob	2013/05/20			ecn no	-		
chr	-	-			rel level	Released		
appr	Pei-Ming Zheng	2013/05/20	product family	PowerBlade+				
		title 4P + 16S VT PF RECEPTACLE	dwg no 10106269-4004001	rev A				
www.fci.com		cat. no.	Product - Customer Drw		sheet 3 of 3			