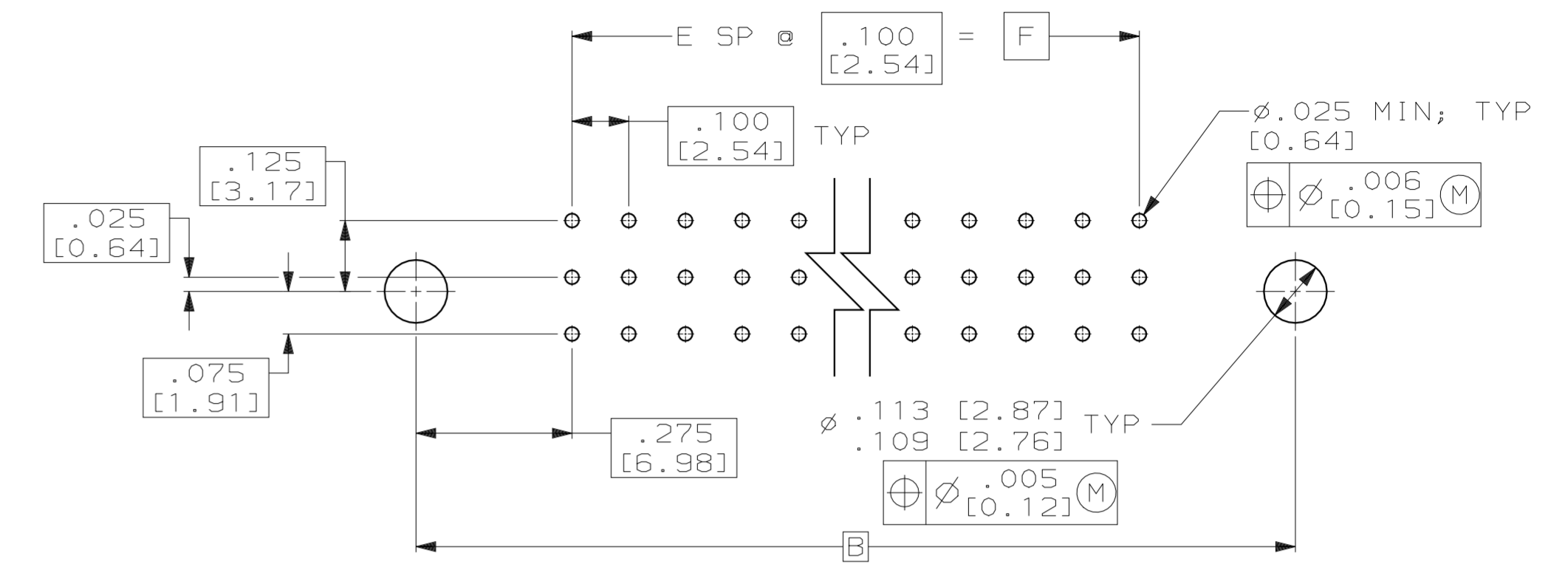
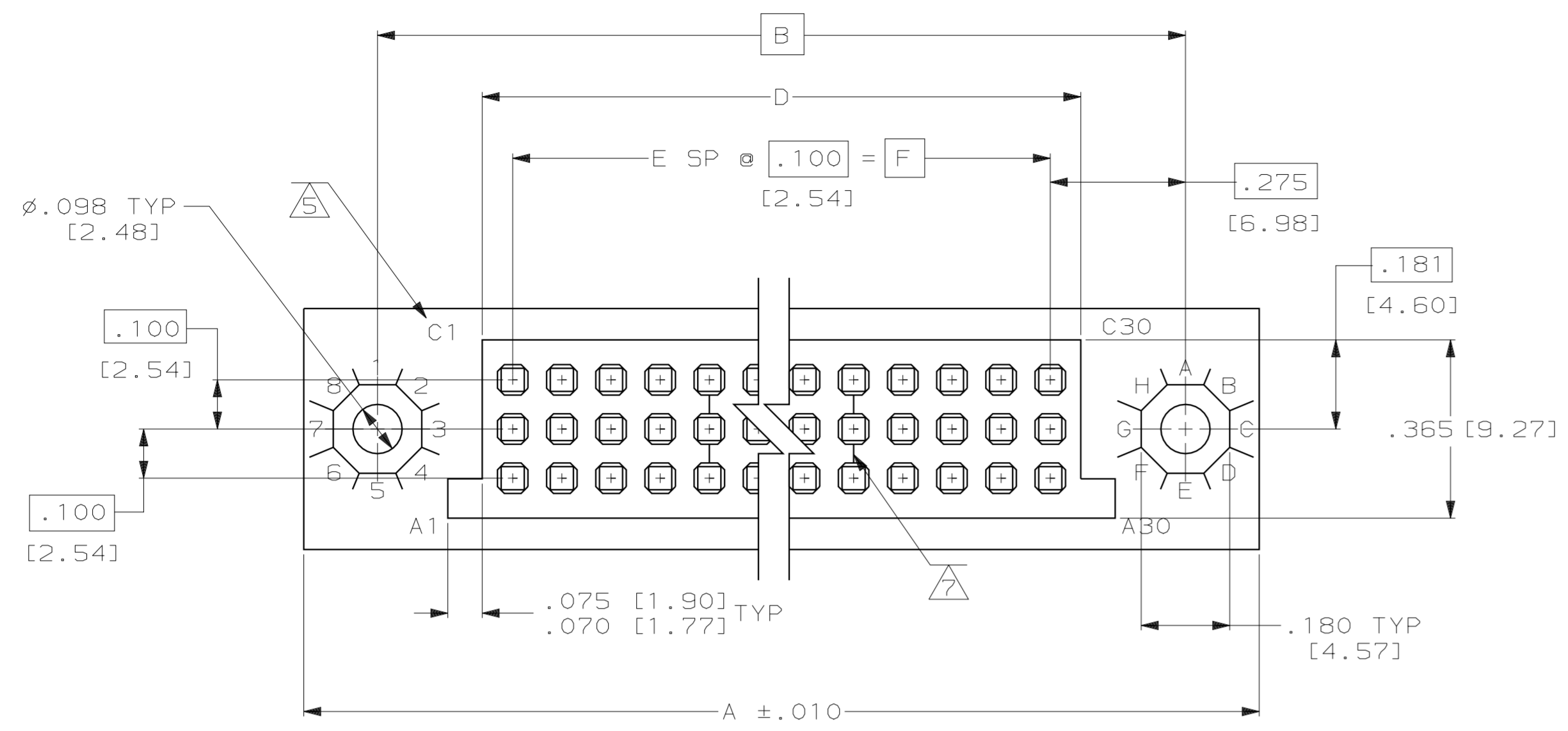
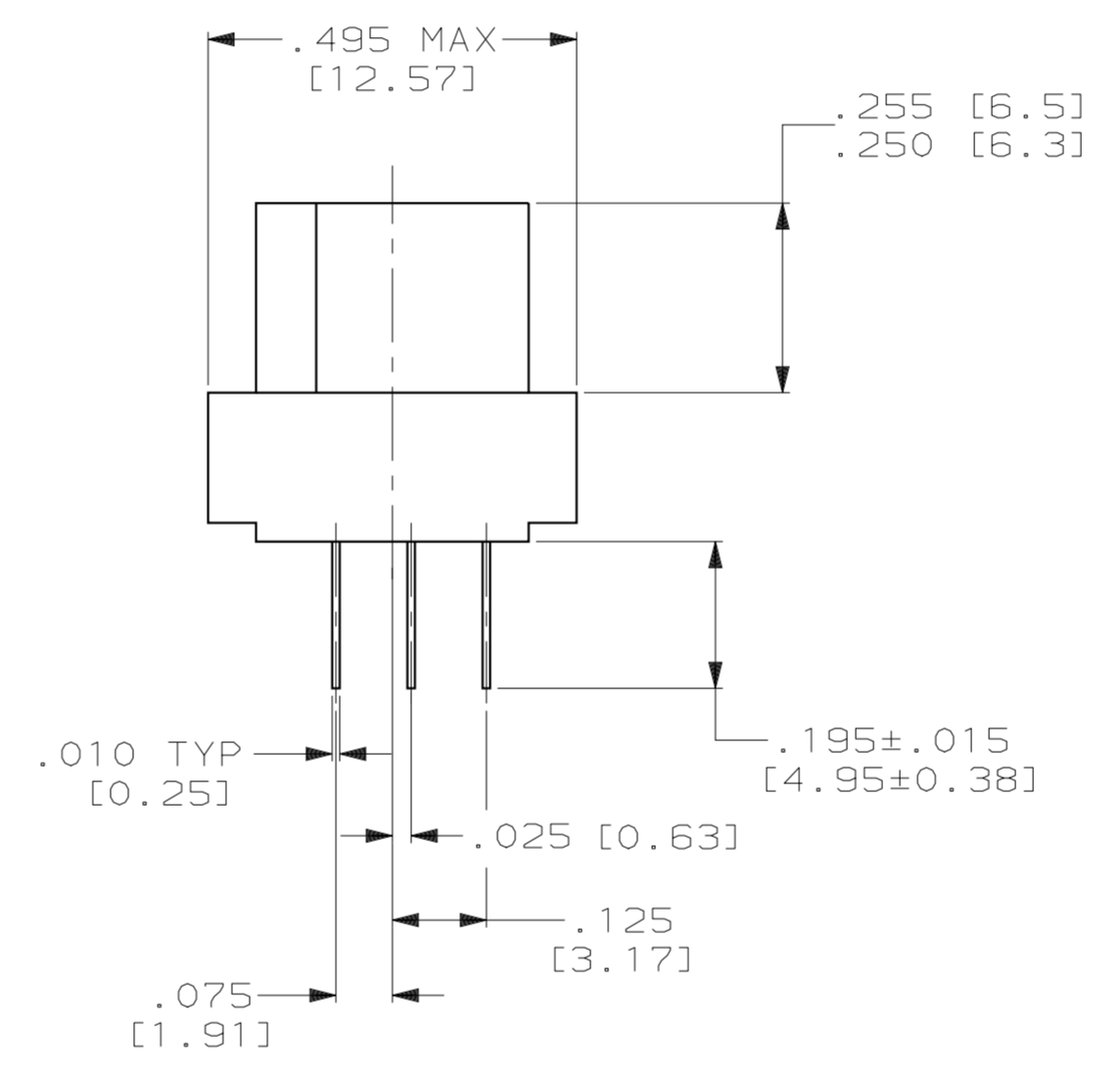
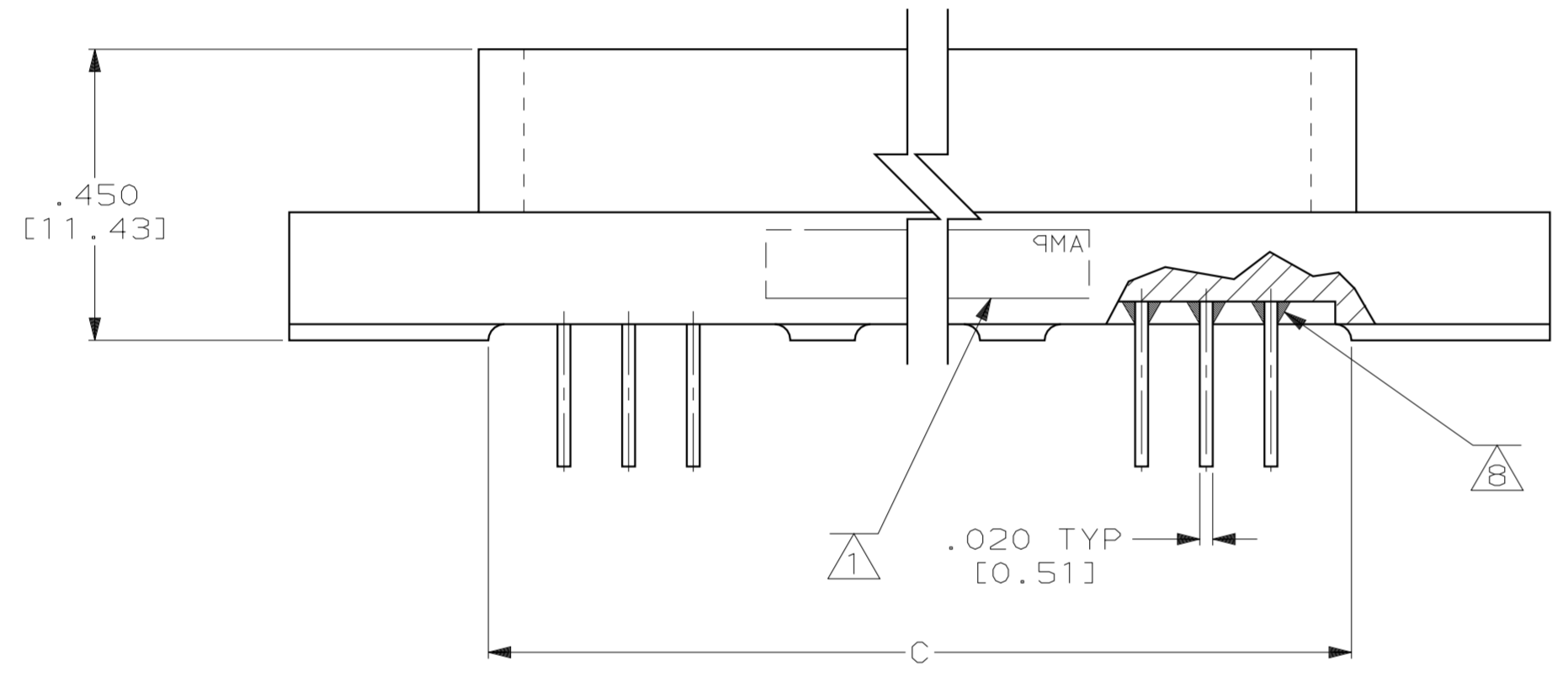


LOC		DIST		P		F		ZONE		LTR		REVISIONS			
DF	FO											DESCRIPTION	DATE	APPD	
												REV PER ECO 06-17518	CT	7-25-06	NT



RECOMMENDED P.C. BOARD LAYOUT



- 1 CUSTOMER PART NO., 00779, AMP, DATE CODE, AMP PART NO., MARKED PER 115-1105, OPPOSITE SIDE.
- 2 HOUSING MAT'L: POLYPHENYLENE SULFIDE, GST-40F PER MIL-M-24519. COLOR: BROWN.
- 3 CONTACT MAT'L: COPPER NICKEL SILICONE.
- 4 CONTACT FINISH: .000050" [0.00127] GOLD IN CONTACT AREA, CONTACT LEADS PRETINNED WITH 63/37 TIN LEAD OVER .000030 [0.00076] NICKEL ON ENTIRE CONTACT.
- 5 LETTERS INDICATING OUTSIDE ROWS AND NUMBERS INDICATING END CAVITIES MARKED THIS SURFACE.
- 6. MEETS ALL REQUIREMENTS OF MIL-C-55302.
- 7 LINES INDICATING EVERY FIVE CAVITIES MARKED ON MATING FACE EXCEPT END CAVITIES STARTING AT POSN. #1.
- 8 EPOXY SEALANT ADDED TO PREVENT WICKING OF FLUX OR CONFORMAL COATING INTO THE CONTACT ENGAGEMENT AREA.

34050975-007	4.900 [124.46]	49	5.024 [127.61]	5.125 [130.17]	5.450 [138.43]	5.750 [146.05]	150	447640-1
CUSTOMER PN	F	E	D	C	B	A	POSN	PART NUMBER

DO NOT SCALE PRINT. UNLESS SPECIFIED DIMENSIONS IN [INCHES] mm TOLERANCES ON: 2 PLC DEC ± - 3 PLC DEC ±.005 [0.13] ANGLES ± -	DR 11-20-90 R. RINEHART CHK 11-20-90 D. MILLER APPD 11-20-90 D. MILLER APPD 11-29-90 R. RINEHART PRODUCT SPEC -	AMP AMP Incorporated Harrisburg, PA 17105-3608 NAME BOX RECEPTACLE ASSY, .100C/L, 3-ROW, SEALED, .010x.020 SOLDER TAIL, .025 OFFSET
MATERIAL FINISH	APPD 11-29-90 R. RINEHART APPLICATION SPEC -	
SCALE 4:1	SIZE D CAGE CODE 00779 DRAWING NO 447640	SHEET 1 OF 1