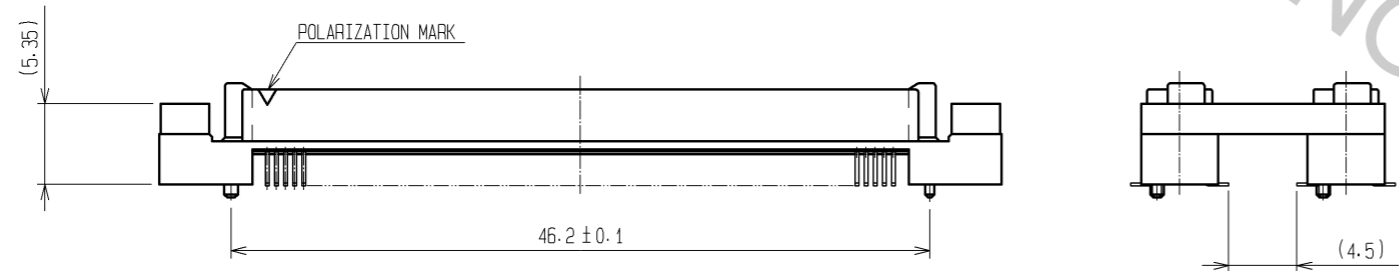
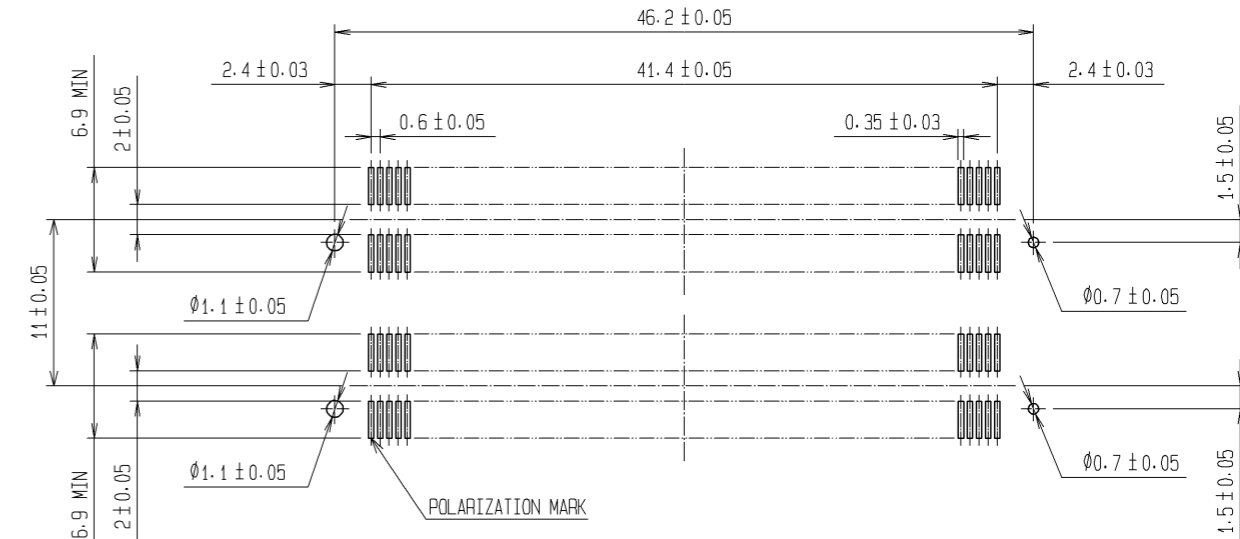


RECOMMENDED LAND PATTERN DIMENSION
OF PCB(MOUNTING SIDE)
(RECOMMENDED METAL MASK THICKNESS:0.15mm)



- NOTES
- 1 LEAD CO-PLANARITY SHALL BE 0.1mm MAX.
 - 2 AFTER MOUNTING BOARD, REF.NO. 3 SHALL BE REMOVED.
 - 3 FOR MODIFICATION, ETC., PREVENTIVE HOLE FOR SINK MARK MAY BE ADDED DEPENDS ON CIRCUMSTANCES.
 - 4 THE DIMENSIONS IN PARENTHESES ARE FOR REFERENCE.

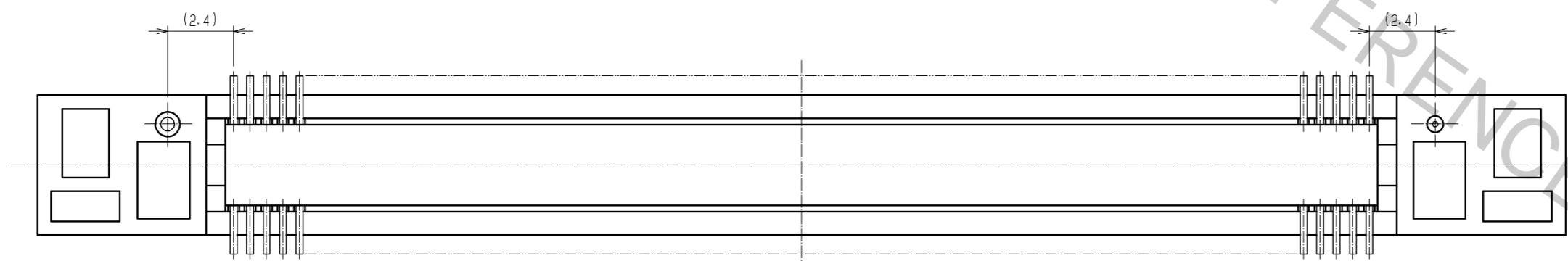
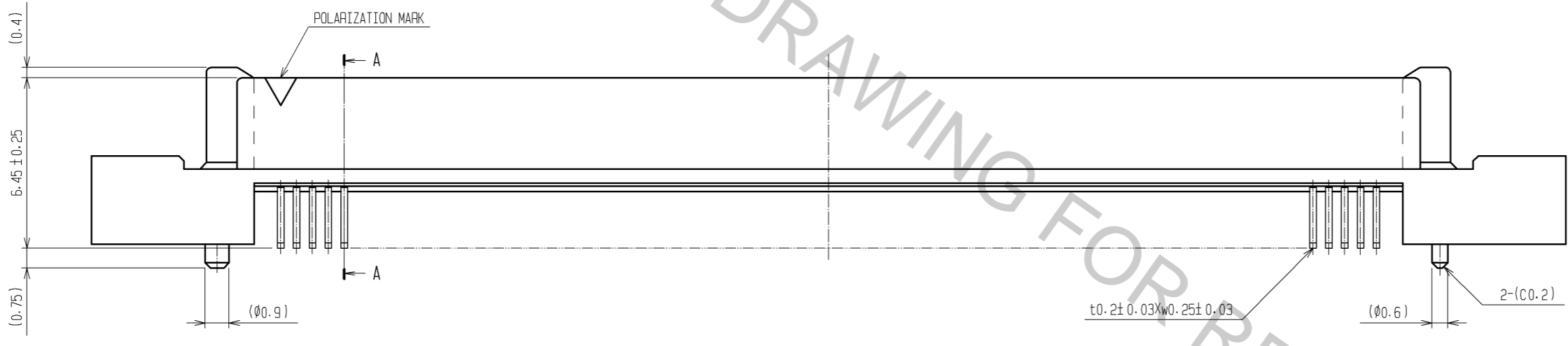
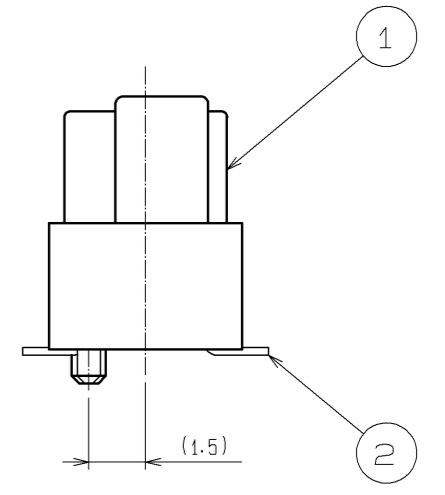
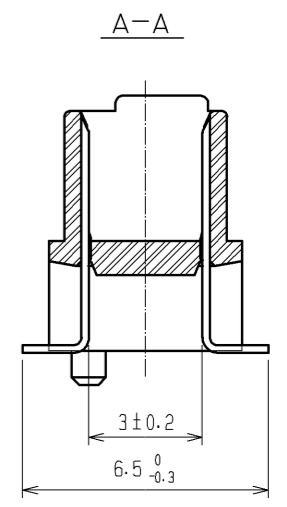
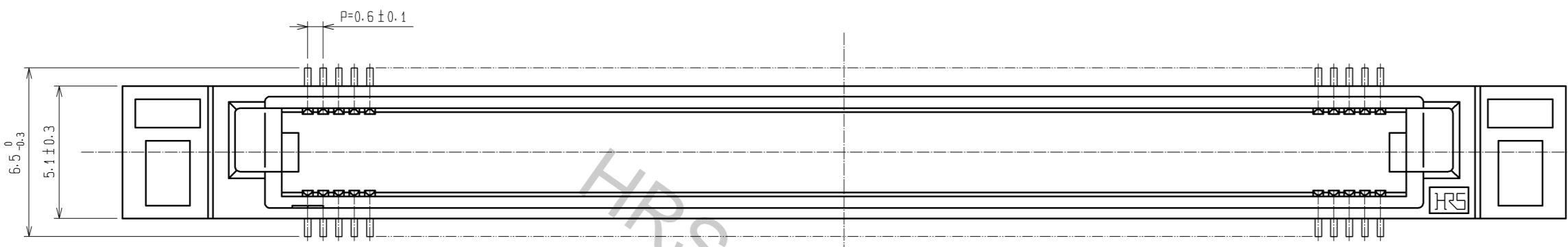


1.3	PPS	LIGHT BROWN (UL94V-0)	2	PHOSPHOR BRONZE	CONTACT AREA : GOLD 0.1µm min. LEAD AREA:TIN-PLATING 1µm min. UNDER PLATING:NICKEL 1µm min.		
NO.	MATERIAL	FINISH . REMARKS	NO.	MATERIAL	FINISH . REMARKS		
UNITS mm		SCALE 2 : 1	COUNT 	DESCRIPTION OF REVISIONS	DESIGNED	CHECKED	DATE
HRS HIROSE ELECTRIC CO., LTD.		APPROVED : HS. OKAWA	11.03.10	DRAWING NO. EDC3-150925-25			
		CHECKED : HT. YAMAGUCHI	11.03.10	PART NO. FX8C-140/140P11-SV2J(71)			
		DESIGNED : AH. EDASHIGE	11.03.07	CODE NO. CL578-0697-2-71			
		DRAWN : AH. EDASHIGE	11.03.07			1/2	

1 2 3 4 5 6 7 8

A
B
C
D
E
F

DETAIL AFTER REMOVING JOINT



NOTES THE DIMENSIONS IN PARENTHESES ARE FOR REFERENCE.

HRS	DRAWING NO.	EDC3-150925-25
	PART NO.	FX8C-140/140P11-SV2J(71)
	CODE NO.	CL578-0697-2-71
		\triangle 2/2

FORM HC0011-5-8 1 2 3 4 5 6 7 8