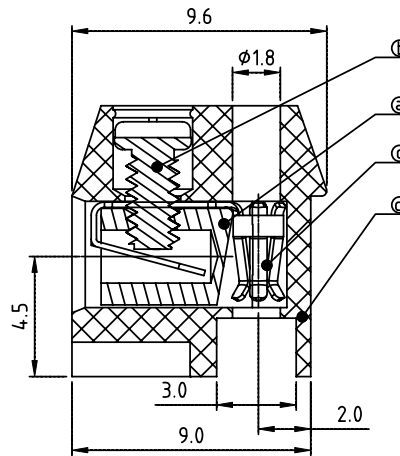
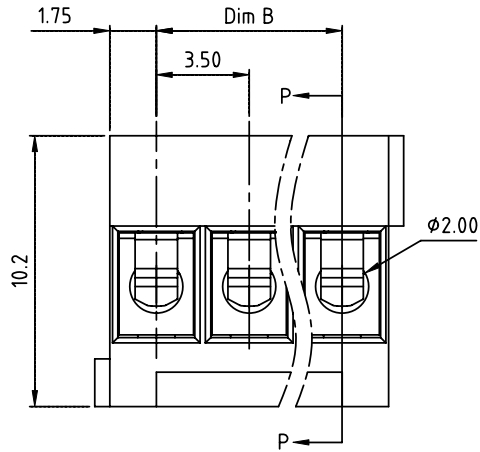
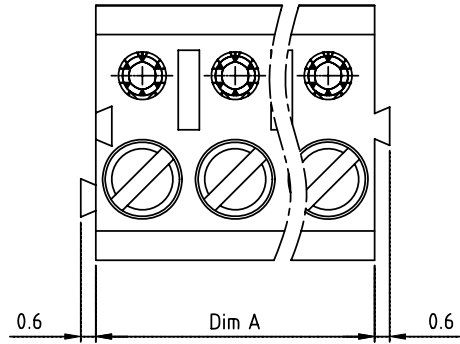


PRODUCT NUMBER	PITCH
THxx21x000J0G	3.50 mm



Material

- Item ① Clamp: Brass(CuZn) Ni plated
- Item ② Terminal screw: Steel Zinc plating "-" slot type
- Item ③ Female contact :PhBz (CuSn) Tin plated
- Item ④ Terminal housing : Thermoplastic (UL94V-0)

Electrical cULus

- Voltage rating: 300V
- Current rating: 10A
- Wire range:
- Solid wire(AWG): 16-28
- Stranded wire(AWG): 16-28
- Torque: 1.7Lb-In
- Screw: M2
- Wire strip length: 5-6mm
- Withstanding Voltage: 1.6KV
- Operating temperature: -40°C to +115°C
- Safety approval: cULus

PART NO.: TH xx 21 x 0 00J0 G

N = Number of poles
 Dim A=Nx3.5
 Dim B=(N-1)x3.5

poles	Dim A	Dim B
2-6p	±0.20	±0.15
7-12p	±0.25	±0.20
13-24p	±0.30	±0.25

End Stackable	Body Color	RoHS compliant
0	Black (RAL9005)	(lead<4%)
2	Red (RAL3001/D)	In copper Alloy
3	Orange(RAL2011/P)	
4	Yellow(RAL1018/A)	
5	Green(RAL6018/T)	
6	Blue (RAL5015/A)	
8	Grey(RAL7035/D)	
9	White(RAL1102)	
C	Green(RAL6018/U)	

mat'l. code				surface ASME Y14.5	tolerance ASME Y14.5	projection MM	product family TERMINAL BLOCK
ltr	ecn no	dr	date	tolerances unless otherwise specified		MM	title TERMINAL BLOCK
				angles X°±1'	X.X±0.3		scale PLUGGABLE,180D WIRE INLET,END STACKABLE
					X.XX±0.1		dwg no THxx21x000J0G
				dr	EVIN ZHONG 041614		sheet 1 of 1 size A4
				enrg	EVIN ZHONG 041614		type CUSTOMER Drawing
				chr	HANKE FENG 041614		
				appd	SHI JUN 041614		
sheet index	revision sheet	A	1				