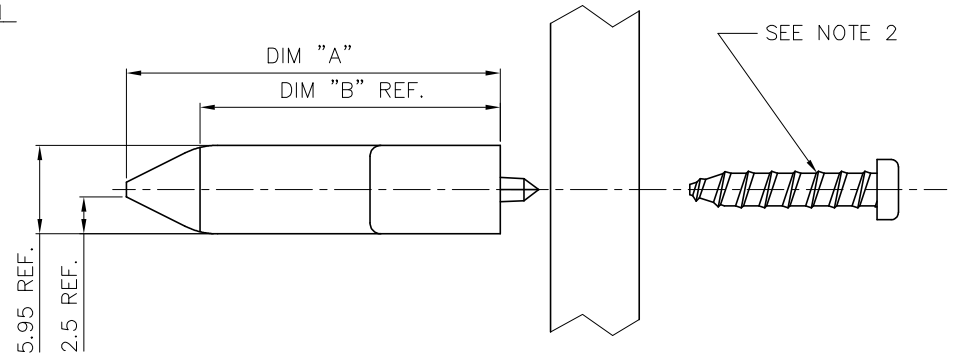
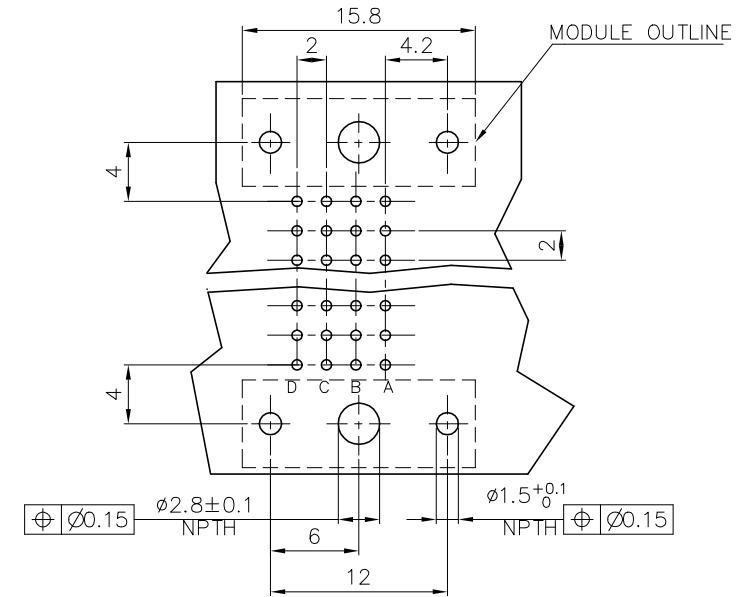
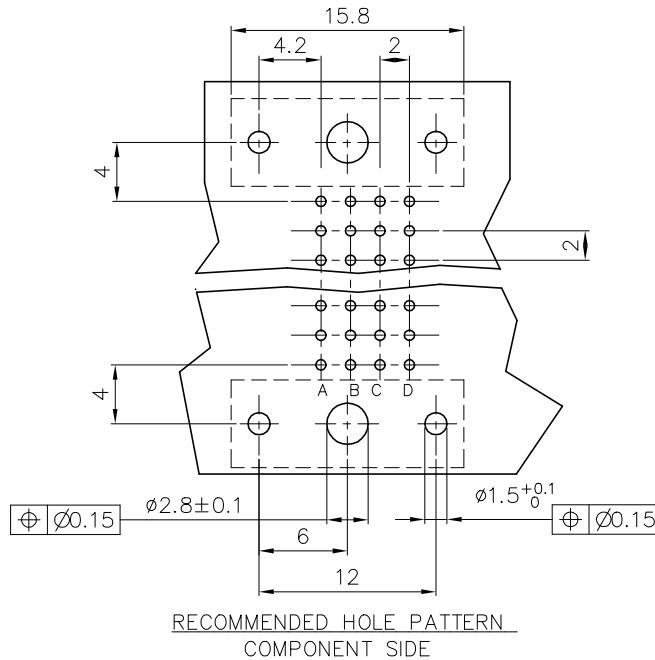
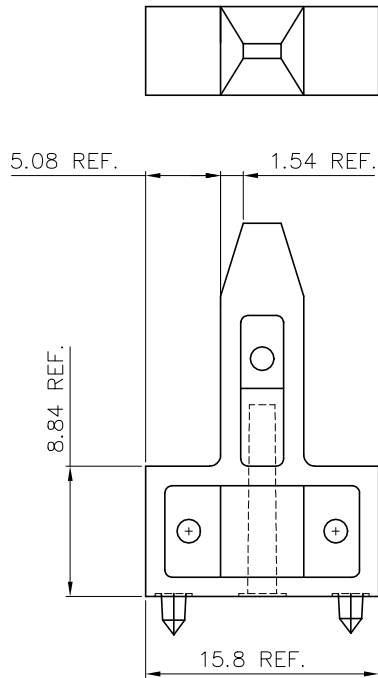


PRODUCT NUMBER	DIM "A"	DIM "B"
88910-011	25.30 REF.	20.36 REF.
88910-012	33.15 REF.	28.06 REF.
88910-011LF	25.30 REF.	20.36 REF.
88910-012LF	33.15 REF.	28.06 REF.

1. MODULE LOCATION FOR PLUG-IN UNITS  
WITH COMPONENTS MOUNTED ON THE RIGHT HAND SIDE

2. MODULE LOCATION FOR CP  
WITH COMPONENTS MOUNTED ON THE LEFT HAND SIDE



NOTES:

1. MATERIAL: NYLON 6/12, 30% GF, NATURALLAME; RETARDANT ACC. UL-94-V0
2. SCREW INFORMATION;  
#2-28 X 9/16" LONG, PLASTITE SELF-TAPPING, SINGLE HELIX, TORX DRIVE PAN HEAD SCREW, STEEL W/ZINC PLATING AND CLEAR CHROMATE FINISH. SUPPLIED WITH MODULE "TORX SCREW REQUIRES SIZE T7 DRIVER".
3. THE PRODUCTS WHERE THE PART NUMBERS END IN LF, MEET THE EUROPEAN UNION DIRECTIVES AND OTHER COUNTRY REGULATIONS AS DESCRIBED IN GS-22-008.
4. THESE PRODUCTS LISTED ON THIS DRAWING WILL NOT WITHSTAND WAVE SOLDER OR REFLOW OPERATIONS.
5. FOR LEADFREE PART NUMBERS, ADD AN 'LF' SUFFIX. EXAMPLE: 88910-011LF

mat'l. code				surface	tolerance	projection	product family	
				ISO 1302	ISO 406/ISO 1101		METRAL(tm) HPL559	
ltr	ecn no	dr	date	tolerances unless otherwise specified		mm	title	
A	V22531	SCS	920717	angle	.0±.3	mm	RAMPING MODULE CONNECTOR	
B	V30024	SCS	930114	parallel	.00±.13	mm		
C	V80745	MDF	04/17/98	0°±2'	.000±.051	scale 2:1	dwg no	
D	V90647	MDF	03/12/99	dr	STU STONER	920129	sheet 1 of 1	
E	V06-0245	JRV	03/13/06	eng	STU STONER	920129	size	
F	V06-0609	DCH	06/22/06	chr	STU STONER	920129	88910	
G	ELX-N-26961	NICK	05/11/17	appd	STU STONER	920129	A4	
sheet							type	Product Customer Drawing
index							revision	G
							sheet	ALL