

INTERCONNECTS

SERIES 802 & 803 • .100" GRID (.030" DIA. PINS), SOLDERLESS PRESS-FIT • DOUBLE ROW STRIPS

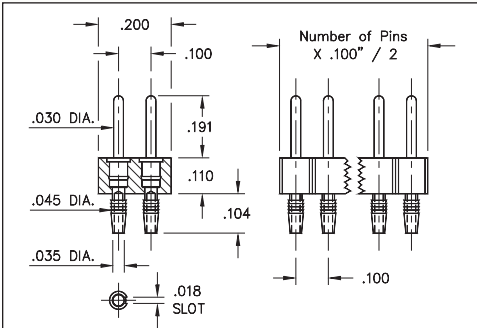


FIG. 1

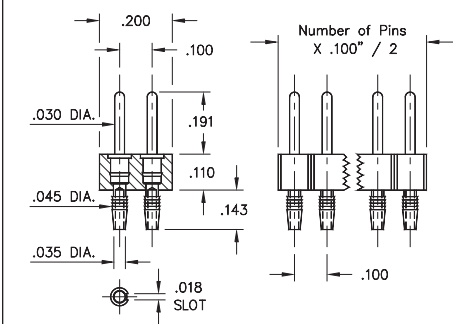


FIG. 2

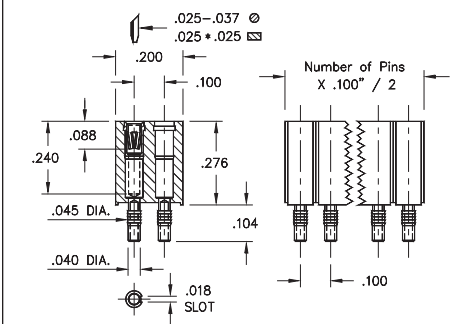


FIG. 3

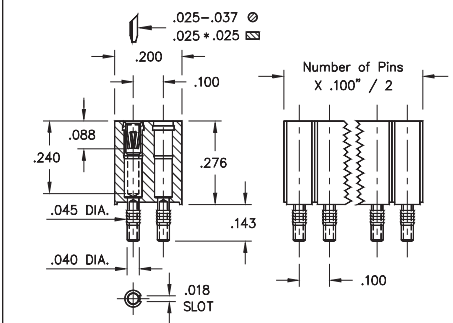
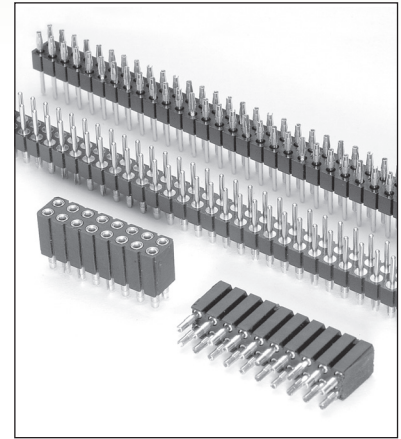


FIG. 4

- The unique compliant tail pins conform to .040"±.003" finished hole without stressing inner layers. Patent No. 4,799,904
- Headers and sockets are available for board thicknesses of .060" - .100" and .090" - .130". See ordering information for details
- Series 802 pin headers use MM #5601 and #5602 compliant tail pins featuring a .030" dia. mating lead. See page 220 for details
- Series 803 sockets with MM #4614 or #4615 pins use Hi-Rel, 6-finger BeCu #47 contact rated at 4.5 amps. Receptacles accept .030" diameter pins & .025" square pins. See pg. 256 for details
- Insulators are high temperature thermoplastic



ORDERING INFORMATION

FIG. 1	Compliant Tail Pin Header for .060" - .100" Thick Boards			
	802-XX-0-61-001000 Specify number of pins 04-64			
FIG. 2	Compliant Tail Pin Header for .090" - .130" Thick Boards			
	802-XX-0-62-001000 Specify number of pins 04-64			
XX=Plating Code See Below For Electrical, Mechanical & Environmental Data, See page 264				
SPECIFY PLATING CODE XX=				
Pin Plating		10 μ" Au	200 μ" Sn/Pb	40 μ" Sn

FIG. 3	Compliant Tail Socket for .060" - .100" Thick Boards								
	803-XX-61-001000 Specify number of pins 004-100								
FIG. 4	Compliant Tail Socket for .090" - .130" Thick Boards								
	803-XX-62-001000 Specify number of pins 004-100								
XX=Plating Code See Below For Electrical, Mechanical & Environmental Data, See page 264									
SPECIFY PLATING CODE XX=									
Sleeve (Pin)		10 μ" Au	13 μ" Au	91	93	99	41 μ" Sn	43 μ" Sn	44 μ" Sn
Contact (Clip)		10 μ" Au	30 μ" Au	10 μ" Au	30 μ" Au	100 μ" Sn/Pb	10 μ" Au	30 μ" Au	100 μ" Sn

