

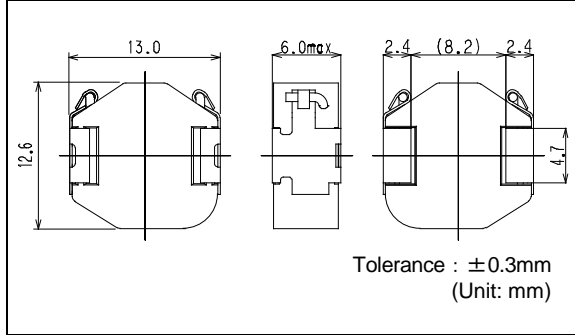
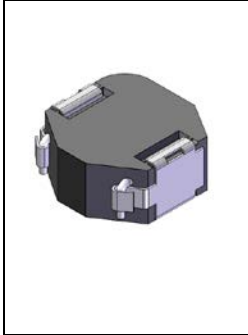
**DFEH12060D**

AEC-Q200

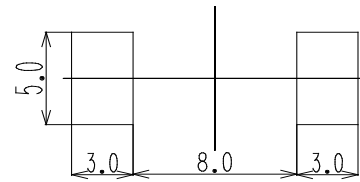
RoHS

REACH

Inductance Range: 1.0~22μH



**Recommended patterns**  
推荐焊盘尺寸推奨



(Unit: mm)

**FEATURES 特点**

- 13.3 × 12.9mm square and 6.0mm Max. height.
- Magnetically shielded construction, low DC resistance.
- Suitable for large current
- The use of low loss iron powder ensure capability for high efficiency.
- Low audible core noise.
- Operating temperature : -40~+155°C
- AEC-Q200 compliant.
- 最大13.3 × 12.9毫米的平面，最大高度6.0毫米
- 磁性屏蔽结构，低直流电阻
- 适合于大电流
- 使用低损失铁系磁性粉保证高效率
- 低芯片噪音
- 使用温度范围: -40~+155°C
- 符合AEC-Q200

**STANDARD PART NUMBERS 标准零件号码**

**TYPE DFEH12060D (Quantity/reel; 500 PCS)**

零件号码	电感值 <sup>(1)</sup>	公差	测试频率	最大直流电阻 <sup>(2)</sup>	最大电感值减小电流 <sup>(3)</sup>	最大温度上升电流 <sup>(3)</sup>
Part Number	Inductance <sup>(1)</sup> L(μH)	Tolerance (%)	Test Frequency (MHz)	DC Resistance <sup>(2)</sup> mΩ Max. (Typ.)	Inductance Decrease Current <sup>(3)</sup> (A) Max. (Typ.) ΔL/L=20%	Temperature Rise Current <sup>(3)</sup> ΔT=40°C (A) Max. (Typ.)
DFEH12060D-1R0M=P3	1.0	±20	100	2.9 (2.4)	19 (25)	20 (26)
DFEH12060D-1R5M=P3	1.5	±20	100	3.6 (3.0)	17 (23)	17 (22)
DFEH12060D-2R2M=P3	2.2	±20	100	4.4 (3.6)	16 (21)	16 (20)
DFEH12060D-3R3M=P3	3.3	±20	100	6.3 (5.2)	14 (18)	13 (17)
DFEH12060D-4R7M=P3	4.7	±20	100	11 (8.6)	11 (14)	10 (13)
DFEH12060D-5R6M=P3	5.6	±20	100	11 (8.9)	10 (13)	10 (13)
DFEH12060D-6R8M=P3	6.8	±20	100	14 (11)	8.3 (11)	9.0 (12)
DFEH12060D-8R2M=P3	8.2	±20	100	17 (14)	8.3 (11)	8.0 (11)
DFEH12060D-100M=P3	10	±20	100	20 (16)	6.6 (8.8)	7.9 (9.9)
DFEH12060D-150M=P3	15	±20	100	28 (23)	5.6 (7.4)	6.6 (8.3)
DFEH12060D-220M=P3	22	±20	100	35 (29)	4.9 (6.5)	6.0 (7.5)

(1) Inductance is measured with a LCR meter 4284A(Agilent Technologies) or equivalent. Test frequency at 100kHz  
 (2) DC resistance is measured with 34420A (Agilent Technologies) or 3541(HIOKI). (Reference ambient temperature 25°C)  
 (3) Maximum allowable DC current is that which causes a 20% inductance reduction from the initial value, coil temperature to rise by 40°C, whichever is smaller.  
 (Reference ambient temperature 25°C)  
 (4) Absolute maximum voltage : 50VDC

(1) LCR仪表4284A (Agilent Technologies)或者功能相同的仪器在100kHz下测试电感值。  
 (2) 通过数码万用表34420A (Agilent Technologies)/ 3541(HIOKI)或者相类似的工具测试直流电阻。(环境温度为25°C)  
 (3) 允许最大直流电的范围是以下两者中比较小的一个: 从开始值降低20%的电感值, 或者线圈温度升高40°C。(参考周围环境温度25°C)。  
 (4) 绝对最高电压50伏特。