

NOTES

1. MATERIAL:

CAGE: NICKEL SILVER, THICKNESS: 0.25mm
 CONNECTOR HOUSING: GLASS FILLED LIQUID CRYSTAL POLYMER (LCP), UL 94V-0, COLOR: BLACK
 OVERMOLD TERMINAL HOUSING: GLASS FILLED LIQUID CRYSTAL POLYMER (LCP), UL 94V-0, COLOR: BLACK
 TERMINALS: TIN BRASS
 LIGHTPIPE HOUSING: ZINC
 LIGHTPIPES: POLYCARBONATE, COLOR: CLEAR

2. FINISHES:

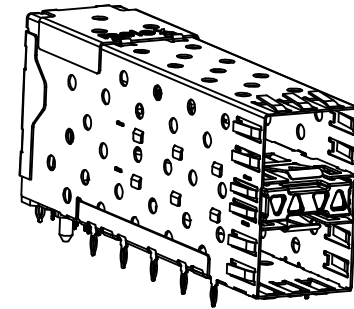
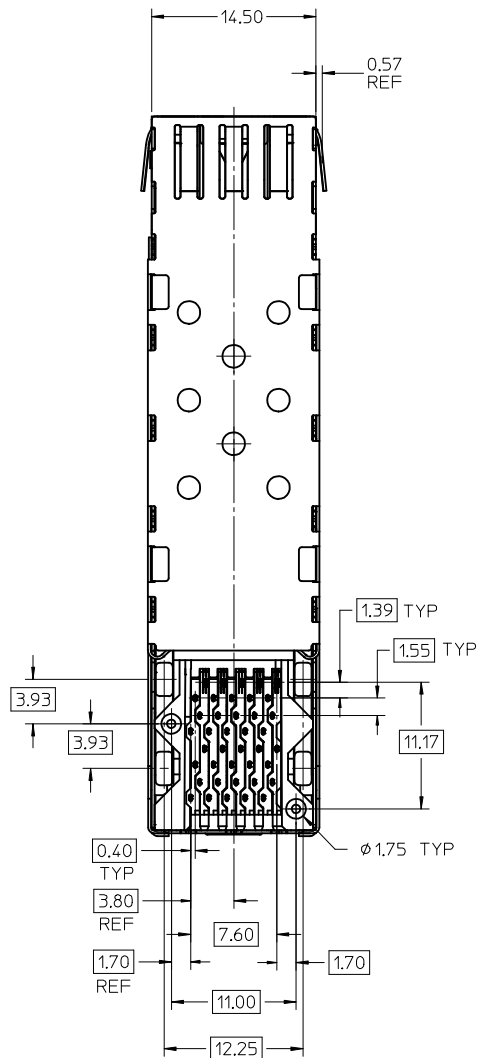
TERMINALS: CONTACT AREA: 0.76 MICROMETERS MINIMUM HARD GOLD OVER 1.27 MICROMETERS MINIMUM NICKEL.
 COMPLIANT TAIL - MATTE TIN/LEAD OPTION: 0.76 TO 1.52 MICROMETERS 90/10 MATTE TIN-LEAD OVER 0.76 MICROMETERS MINIMUM NICKEL.
 COMPLIANT TAIL - MATTE TIN OPTION: 0.76 TO 1.52 MICROMETERS MATTE TIN OVER 0.76 MICROMETERS MINIMUM NICKEL.
 LIGHTPIPE HOUSING: 80 MICROMETERS MINIMUM NICKEL OVER COPPER

- REFER TO PS-75310-001 PRODUCT SPEC FOR ALL ELECTRICAL, MECHANICAL, AND ENVIRONMENTAL SPECIFICATIONS.
- LIGHTPIPE PAD LAYOUT IS FOR 0805 LOW-PROFILE LED PACKAGE, FOR OTHER RECOMMENDED LAYOUTS REFER TO MOLEX'S REPORT TS-75310-001.
- REFER TO PK-75462-001 FOR ALL PACKAGING SPECIFICATIONS.
- PART COMPLIES WITH COSMETIC SPECIFICATION PS-45499-002. SEE SHEET 4 SECTION Z-Z FOR SURFACE CLASSIFICATIONS. UNDERSIDE OF CAGE COMPLIES WITH CLASS "C".
- DATE CODE LOCATION IS SHOWN ABOVE.

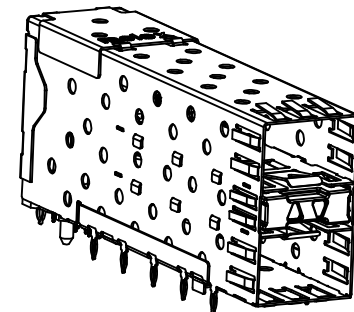
DATE CODE FORMAT: DDDY MX A1
 DDD = DAY OF THE YEAR
 Y = YEAR
 MX = MOLEX
 A = ALPHA CHARACTER - INDICATES MANUFACTURING LINE
 1 = NUMERIC CHARACTER - INDICATES PRODUCTION SHIFT

PART NUMBER	DESCRIPTION	VIEW	COMPLIANT TAIL PLATING
75640-0001	4 PORT LIGHT PIPE	SEE PG 2	TIN LEAD
75640-0002	INNER 2 PORTS	SEE PG 2	TIN LEAD
75640-0003	OUTER 2 PORTS	SEE PG 2	TIN LEAD
75640-5001	4 PORT LIGHT PIPE	SEE PG 2	TIN
75640-5002	INNER 2 PORTS	SEE PG 2	TIN
75640-5003	OUTER 2 PORTS	SEE PG 2	TIN

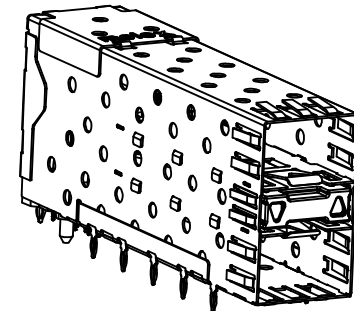
REMOVE OLD PCB HOLES EC NO: UCP2016-0008 DR: DRWINBARKER 2015/07/06 CHKD: APPR: SMILLER 2015/07/22	QUALITY SYMBOLS	GENERAL TOLERANCES (UNLESS SPECIFIED)	DIMENSION STYLE MM ONLY	SCALE 3:1	DESIGN UNITS METRIC	THIRD ANGLE PROJECTION
	▽=0	mm INCH	DRAWN BY DATE JLONG 05-15-2004	TITLE STACKED SFP 2X1 MEDIUM HEIGHT ASS'Y, PRESS-FIT TAILS WITH LIGHT PIPES		DOCUMENT NO. SD-75640-001
	▽=0	4 PLACES ± --- ± ---	CHECKED BY DATE JLONG 04-16-2004	SHEET NO. 1 OF 4		
	▽=0	3 PLACES ± --- ± ---	APPROVED BY DATE KREGNIER 04-19-2004			
▽=0	2 PLACES ± 0.13 ± ---	MATERIAL NO. SEE TABLE				
		0 PLACE ± 0.25 ± ---	SIZE C	THIS DRAWING CONTAINS INFORMATION THAT IS PROPRIETARY TO MOLEX INCORPORATED AND SHOULD NOT BE USED WITHOUT WRITTEN PERMISSION		
		ANGULAR ± 5 °	DRAFT WHERE APPLICABLE MUST REMAIN WITHIN DIMENSIONS			



756400001 & 756405001
WITH 4 LIGHT PIPE PORTS

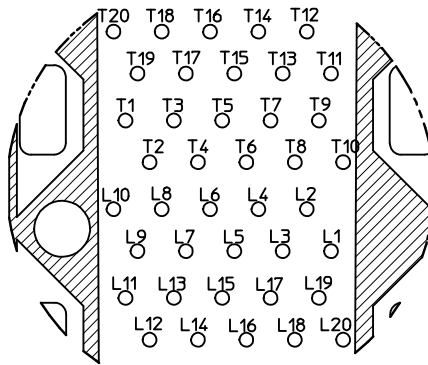


756400002 & 756405002
WITH INNER LIGHT PIPE PORTS

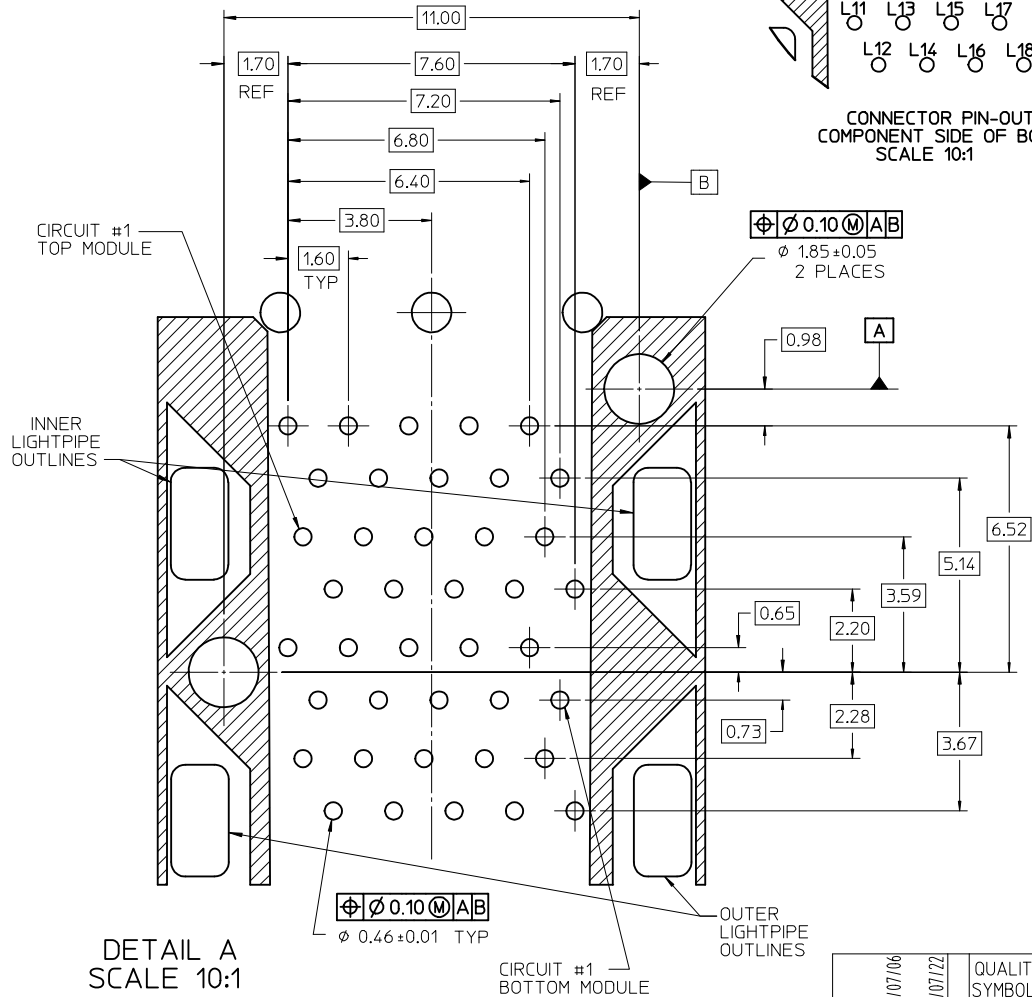


756400003 & 756405003
WITH OUTER LIGHT PIPE PORTS

SEE SHEET 1 EC NO: UCP2016-0008 DRAWN BY: DRWIN:BBARKER CHKD: JAPPR:SMILLER G	DESCRIPTION 2015/07/06 2015/07/06	QUALITY SYMBOLS	GENERAL TOLERANCES (UNLESS SPECIFIED)		DIMENSION STYLE	SCALE	DESIGN UNITS	THIRD ANGLE PROJECTION
		▽=0 ▽=0 ▽=0	mm	INCH	MM ONLY	3:1	METRIC	☉
			4 PLACES	± ---	± ---	DRAWN BY	DATE	STACKED SFP 2X1 MEDIUM HEIGHT ASS'Y, PRESS-FIT TAILS WITH LIGHT PIPES molex
			3 PLACES	± ---	± ---	CHECKED BY	DATE	
			2 PLACES	± 0.13	± ---	JLONG	04-16-2004	
			1 PLACE	± 0.25	± ---	APPROVED BY	DATE	
			0 PLACE	±	±	KREGNIER	04-19-2004	
			ANGULAR ± 5 °			MATERIAL NO.	DOCUMENT NO.	
			DRAFT WHERE APPLICABLE MUST REMAIN WITHIN DIMENSIONS		SEE TBL, SHT 1	SD-75640-001		SHEET NO. 2 OF 4
					SIZE	THIS DRAWING CONTAINS INFORMATION THAT IS PROPRIETARY TO MOLEX INCORPORATED AND SHOULD NOT BE USED WITHOUT WRITTEN PERMISSION		



CONNECTOR PIN-OUT
COMPONENT SIDE OF BOARD
SCALE 10:1



DETAIL A
SCALE 10:1

KEEP-OUT ZONE
FOR MOLEX
APPLICATION
TOOLING

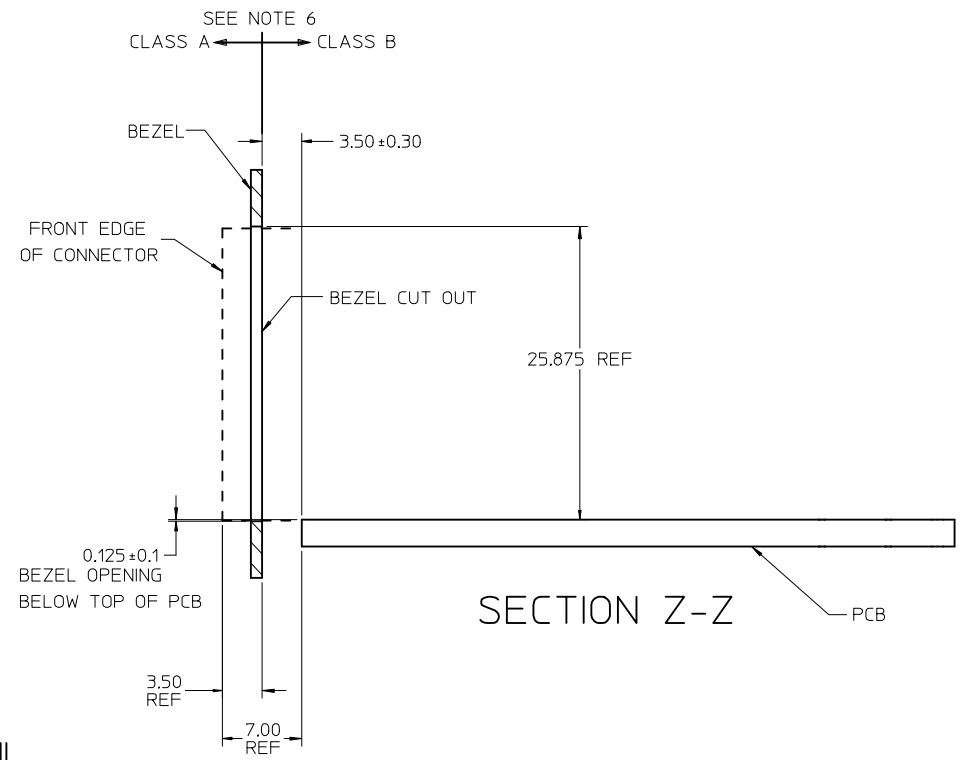
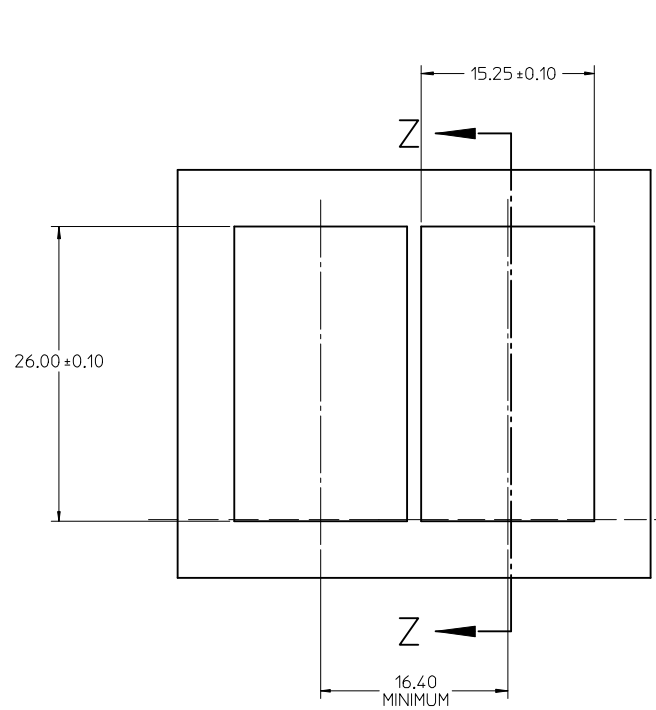
SEE DETAIL A
SEE CONNECTOR
PIN-OUT COMPONENT
SIDE OF BOARD

$\phi 1.05 \pm 0.05$ TYP
10 PLACES
 $\oplus \phi 0.10 \text{ (M) AB}$

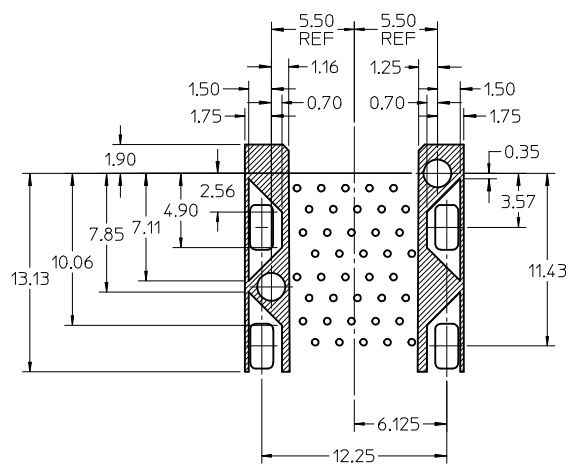
EDGE OF BOARD

RECOMMENDED PCB LAYOUT - COMPONENT SIDE
RECOMMENDED PCB THICKNESS: 2.36 MM (.093 INCH)
(MINIMUM PCB THICKNESS: 1.57)
THE ENTIRE AREA OF THE CONNECTOR FOOTPRINT
TO BE CONSIDERED THE KEEP OUT AREA FOR COMPONENTS

SEE SHEET 1 EC NO: UCP2016-0008 IDRW:BBARKER 2015/07/06 CHKD: APPR:SMILLER 2015/07/22 REV:	QUALITY SYMBOLS	GENERAL TOLERANCES (UNLESS SPECIFIED)	DIMENSION STYLE MM ONLY	SCALE 3:1	DESIGN UNITS METRIC	THIRD ANGLE PROJECTION
	$\nabla = 0$	mm INCH	DRAWN BY DATE JLONG 05-15-2004	TITLE STACKED SFP 2X1 MEDIUM HEIGHT ASS'Y, PRESS-FIT TAILS WITH LIGHT PIPES		SHEET NO. 3 OF 4
	$\nabla = 0$	4 PLACES \pm --- \pm ---	CHECKED BY DATE JLONG 04-16-2004	DOCUMENT NO. SD-75640-001		
	$\nabla = 0$	3 PLACES \pm --- \pm ---	APPROVED BY DATE KREGNIER 04-19-2004			
$\nabla = 0$	2 PLACES ± 0.13 \pm ---	MATERIAL NO.				
		1 PLACE ± 0.25 \pm ---	SEE TBL, SHT 1			
		0 PLACE \pm \pm	DRAFT WHERE APPLICABLE MUST REMAIN WITHIN DIMENSIONS			
		ANGULAR $\pm 5^\circ$				

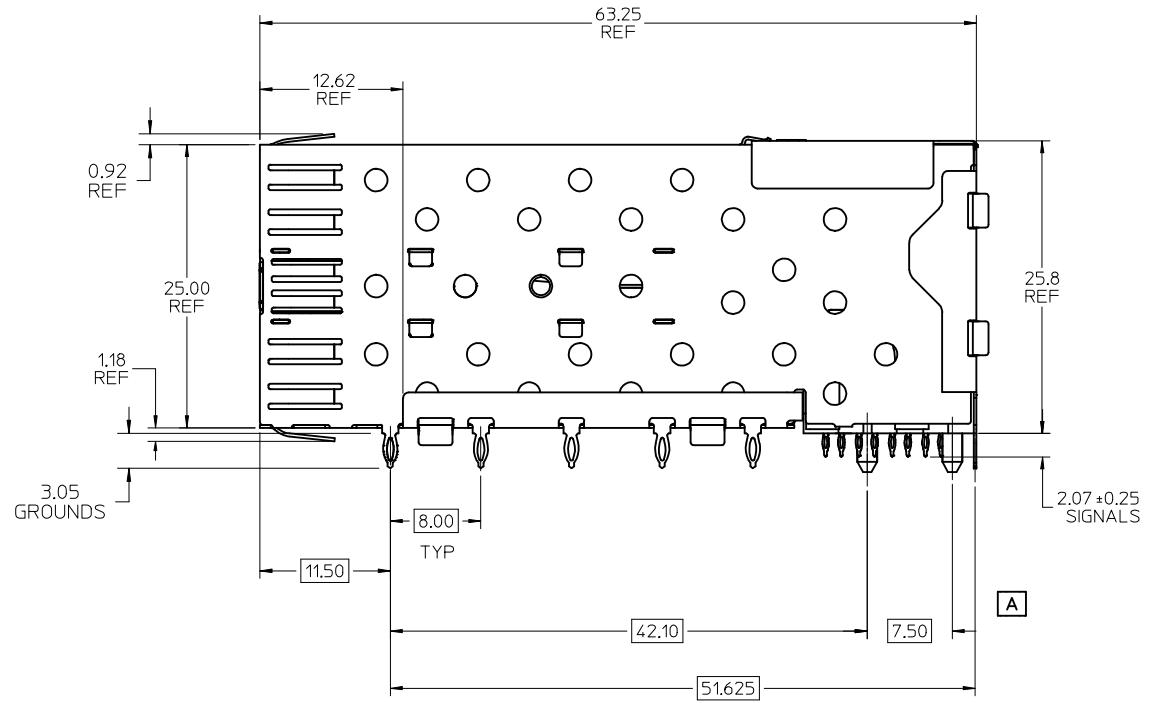
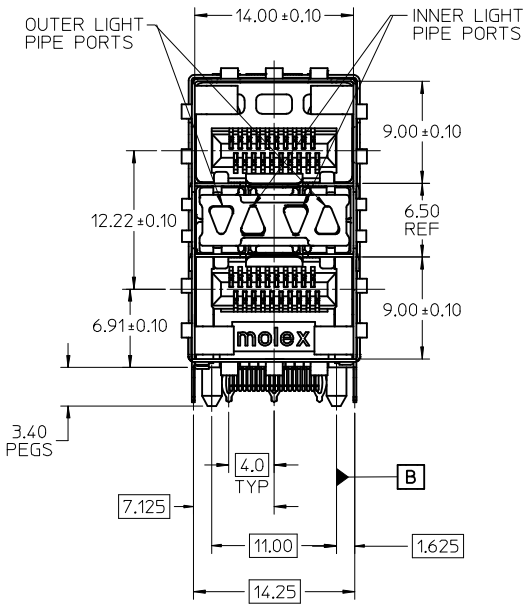


BEZEL CUT-OUT CENTER SPACING DETAIL
BEZEL THICKNESS 0.8-2.6



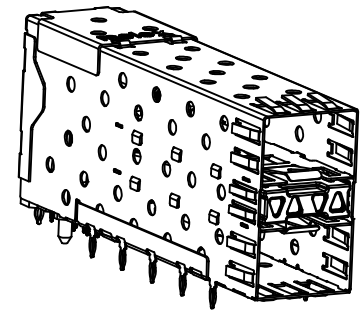
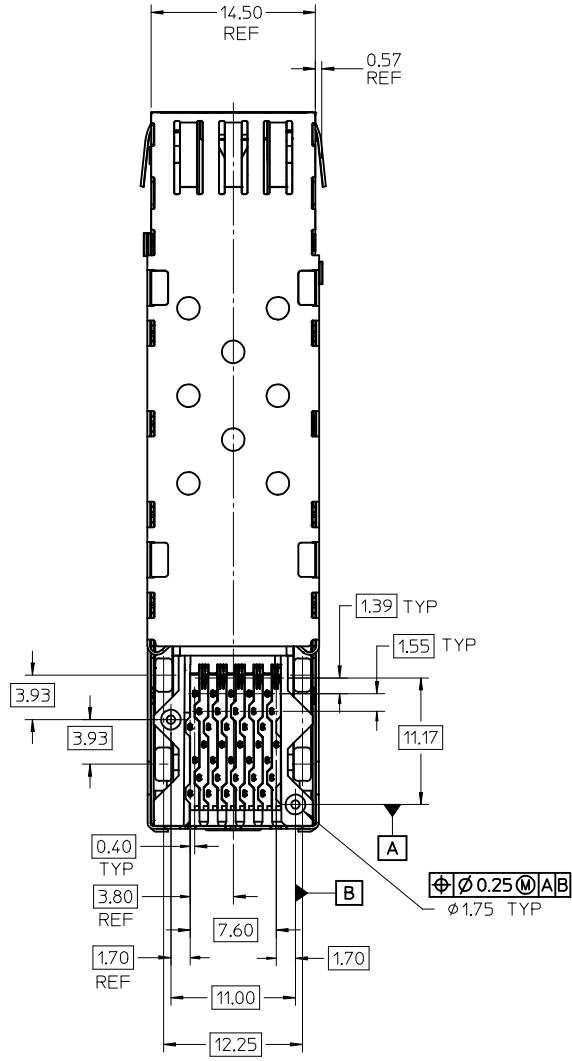
KEEP-OUT ZONE DETAIL
SCALE 4:1

SEE SHEET 1 EC 008-MIC P2016-008S DRW: BARKER 2015/07/06 CHKD: APPR: MILLER 2015/07/22	QUALITY SYMBOLS	GENERAL TOLERANCES (UNLESS SPECIFIED)	DIMENSION STYLE MM ONLY	SCALE 3:1	DESIGN UNITS METRIC	THIRD ANGLE PROJECTION
	▽=0	mm INCH	DRAWN BY DATE	TITLE		
	▽=0	4 PLACES ± --- ± ---	JLONG 05-15-2004	STACKED SFP 2X1 MEDIUM HEIGHT ASS'Y, PRESS-FIT TAILS WITH LIGHT PIPES		
	▽=0	3 PLACES ± --- ± ---	CHECKED BY DATE	molex DOCUMENT NO. SD-75640-001 SHEET NO. 4 OF 4		
▽=0	2 PLACES ± 0.13 ± ---	JLONG 04-16-2004				
▽=0	1 PLACE ± 0.25 ± ---	APPROVED BY DATE	KREGNIER 04-19-2004			
REV	DESCRIPTION	ANGULAR ± 5 °	MATERIAL NO.	THIS DRAWING CONTAINS INFORMATION THAT IS PROPRIETARY TO MOLEX INCORPORATED AND SHOULD NOT BE USED WITHOUT WRITTEN PERMISSION		
G		DRAFT WHERE APPLICABLE MUST REMAIN WITHIN DIMENSIONS	SEE TBL, SHT 1			

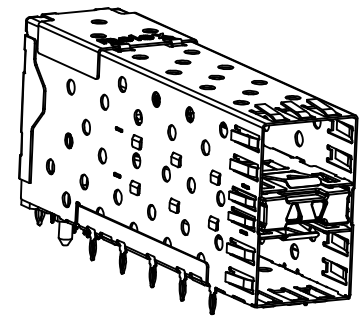


PART NUMBER	DESCRIPTION	VIEW	COMPLIANT TAIL PLATING
75640-2001	4 PORT LIGHT PIPE	SEE PG 2	TIN
	INNER 2 PORTS	SEE PG 2	TIN
	OUTER 2 PORTS	SEE PG 2	TIN

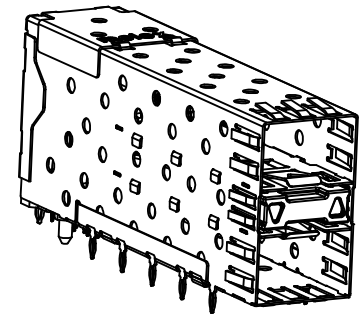
UPDATE ISO VIEWS EC NO: UCP2015-5229 DRWNSVANG01 2015/06/17 CHKD:BBARKER 2015/06/17 APPR:SMILLER 2015/06/30	QUALITY SYMBOLS	GENERAL TOLERANCES (UNLESS SPECIFIED)	DIMENSION STYLE MM ONLY	SCALE 3:1	DESIGN UNITS METRIC	THIRD ANGLE PROJECTION
	▽=0	mm INCH	DRAWN BY DATE BBARKER 2009/11/06	TITLE STACKED SFP 2X1 MEDIUM HEIGHT ASS'Y, PRESS-FIT TAILS WITH LIGHT PIPES	molex	
	▽=0	4 PLACES ± --- ± ---	CHECKED BY DATE MIBARRA 2009/11/06	MATERIAL NO. SEE CHART DOCUMENT NO. SD-75640-004		
	▽=0	3 PLACES ± --- ± ---	APPROVED BY DATE SMILLER 2010/12/09		SHEET NO. 1 OF 4	
D	DESCRIPTION	ANGULAR ± 5°	SIZE C	THIS DRAWING CONTAINS INFORMATION THAT IS PROPRIETARY TO MOLEX INCORPORATED AND SHOULD NOT BE USED WITHOUT WRITTEN PERMISSION		



756402001
WITH 4 LIGHT PIPE PORTS

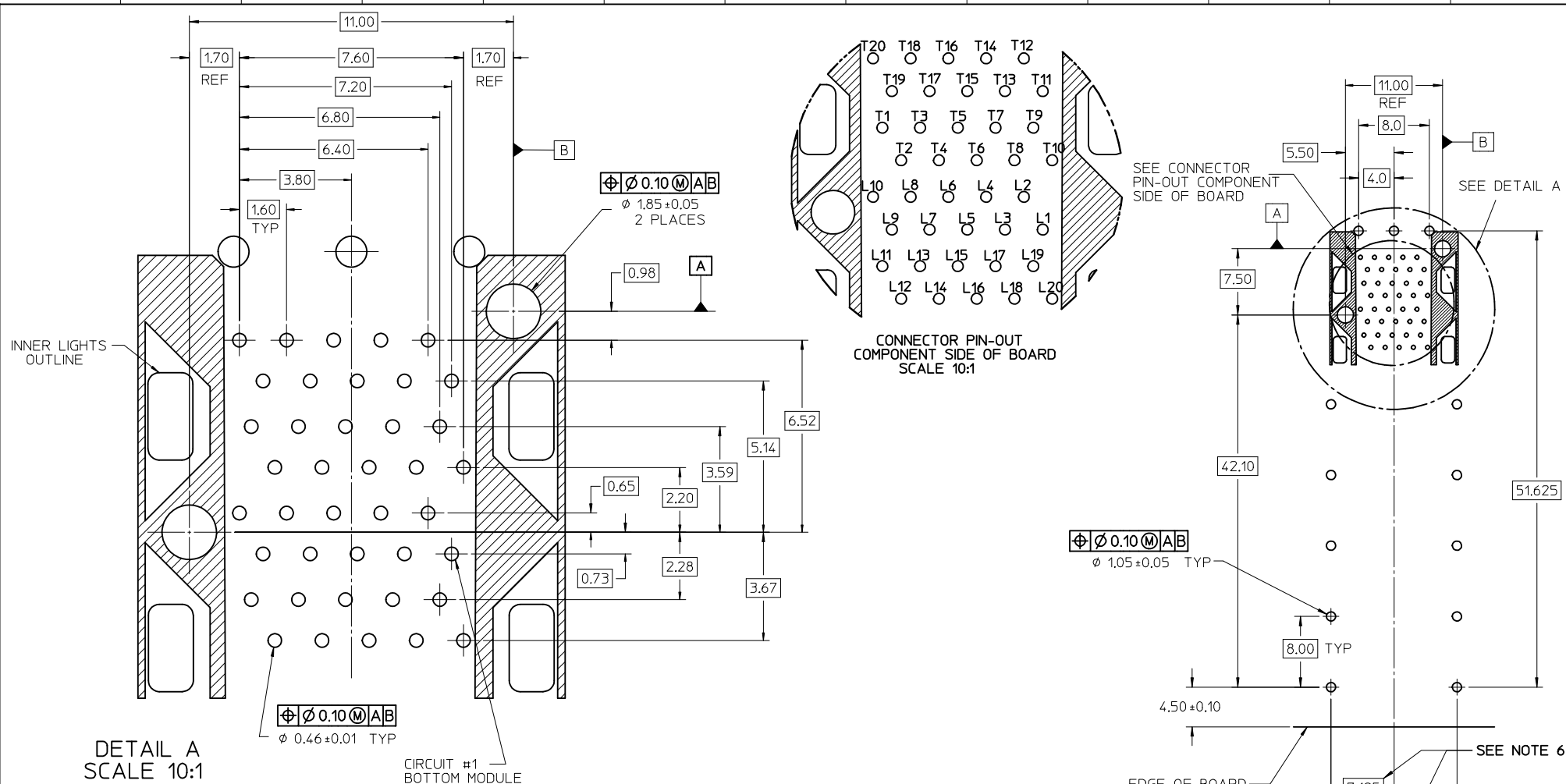


WITH INNER LIGHT PIPE PORTS



WITH OUTER LIGHT PIPE PORTS

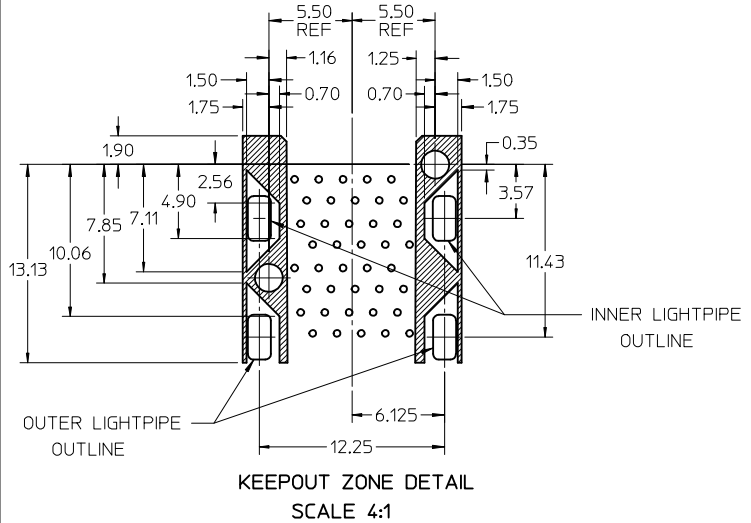
SEE SHEET 1 EC NO: UCP2015-5229 DRWNS:VANG01 2015/06/17 CHKD:BBARKER 2015/06/17 APPR:SMILLER 2015/06/30	QUALITY SYMBOLS $\nabla = 0$ $\nabla = 0$ $\nabla = 0$	GENERAL TOLERANCES (UNLESS SPECIFIED) <table border="1"> <tr> <th></th> <th>mm</th> <th>INCH</th> </tr> <tr> <td>4 PLACES</td> <td>± 0.13</td> <td>± 0.005</td> </tr> <tr> <td>3 PLACES</td> <td>± 0.25</td> <td>± 0.010</td> </tr> <tr> <td>2 PLACES</td> <td>± 0.38</td> <td>± 0.015</td> </tr> <tr> <td>1 PLACE</td> <td>± 0.51</td> <td>± 0.020</td> </tr> <tr> <td>0 PLACE</td> <td>± 0.64</td> <td>± 0.025</td> </tr> </table>		mm	INCH	4 PLACES	± 0.13	± 0.005	3 PLACES	± 0.25	± 0.010	2 PLACES	± 0.38	± 0.015	1 PLACE	± 0.51	± 0.020	0 PLACE	± 0.64	± 0.025	DIMENSION STYLE MM ONLY DRAWN BY DATE BBARKER 2009/11/06 CHECKED BY DATE MIBARRA 2009/11/06 APPROVED BY DATE SMILLER 2010/12/09	SCALE 3:1 DESIGN UNITS METRIC THIRD ANGLE PROJECTION	TITLE STACKED SFP 2X1 MEDIUM HEIGHT ASS'Y, PRESS-FIT TAILS WITH LIGHT PIPES molex
		mm	INCH																				
	4 PLACES	± 0.13	± 0.005																				
	3 PLACES	± 0.25	± 0.010																				
2 PLACES	± 0.38	± 0.015																					
1 PLACE	± 0.51	± 0.020																					
0 PLACE	± 0.64	± 0.025																					
DRAFT WHERE APPLICABLE MUST REMAIN WITHIN DIMENSIONS	MATERIAL NO. SEE SHEET 1	DOCUMENT NO. SD-75640-004	SHEET NO. 2 OF 4																				
THIS DRAWING CONTAINS INFORMATION THAT IS PROPRIETARY TO MOLEX INCORPORATED AND SHOULD NOT BE USED WITHOUT WRITTEN PERMISSION																							



DETAIL A SCALE 10:1

CIRCUIT #1 BOTTOM MODULE

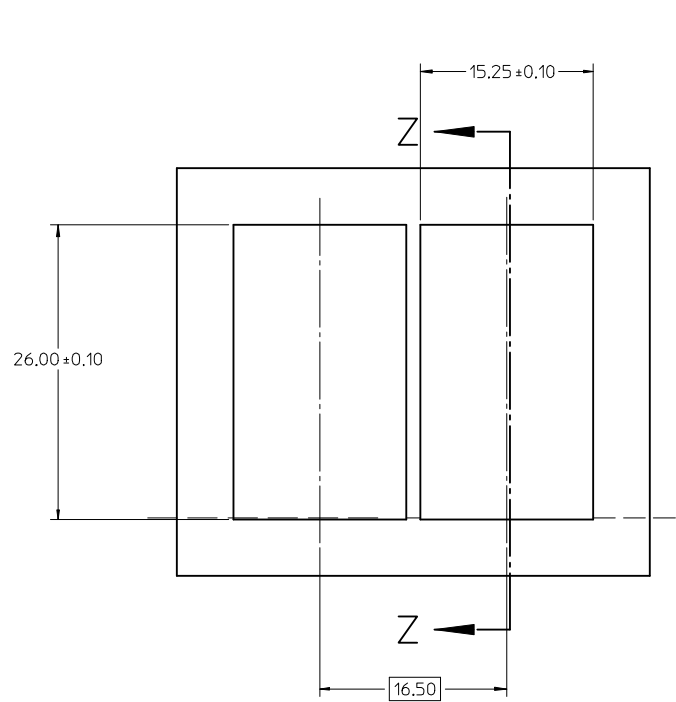
RECOMMENDED PCB LAYOUT - COMPONENT SIDE
 MINIMUM PCB THICKNESS OF 1.6mm



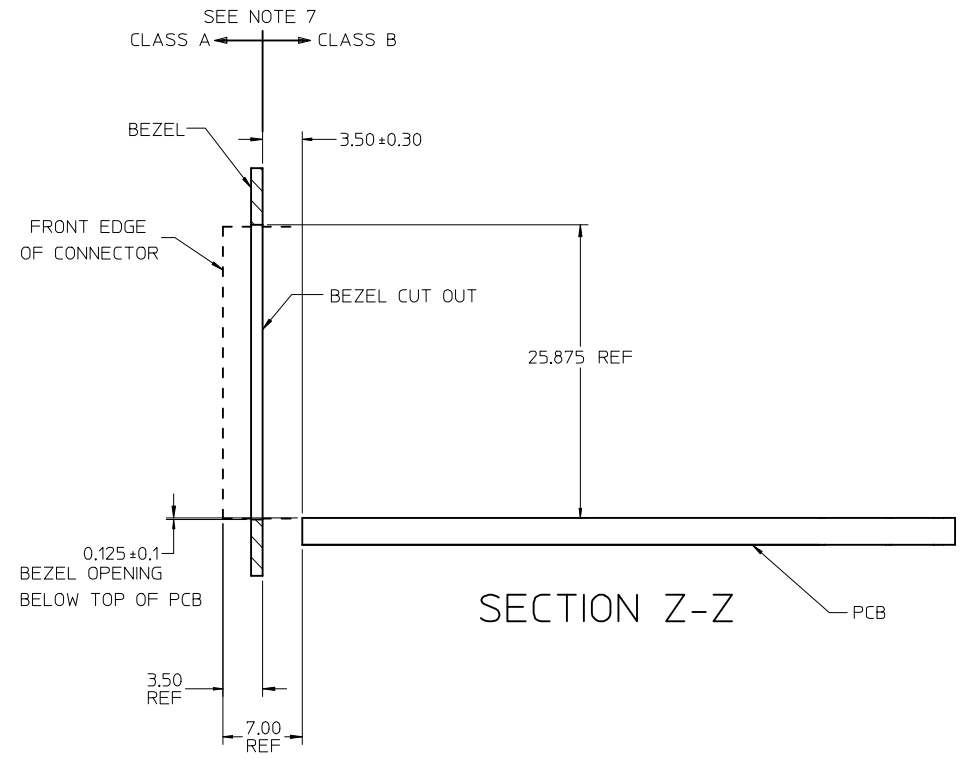
SEE SHEET 1 EC NO: UCP2015-5229 DRAWN BY: DRWNSVANG01 CHECKED BY: CHYKD-BARKER APPR: SMILLER	REV	2015/06/17	2015/06/17	2015/06/30
		DESCRIPTION		

QUALITY SYMBOLS	▽=0	▽=0	▽=0
	GENERAL TOLERANCES (UNLESS SPECIFIED)		
	mm	INCH	
	4 PLACES ± ---	± ---	
	3 PLACES ± ---	± ---	
	2 PLACES ± 0.13	± ---	
	1 PLACE ± 0.25	± ---	
	0 PLACE ± ---	± ---	
	ANGULAR ± 5 °		
DRAFT WHERE APPLICABLE MUST REMAIN WITHIN DIMENSIONS			

DIMENSION STYLE		SCALE		DESIGN UNITS		THIRD ANGLE PROJECTION	
MM ONLY		3:1		METRIC		☉	
DRAWN BY	DATE	TITLE		STACKED SFP 2X1 MEDIUM HEIGHT ASS'Y, PRESS-FIT TAILS WITH LIGHT PIPES molex DOCUMENT NO. SD-75640-004 SHEET NO. 3 OF 4			
CHECKED BY	DATE	SEE SHEET 1					
APPROVED BY	DATE						
MATERIAL NO.							



BEZEL CUT-OUT CENTER SPACING DETAIL
BEZEL THICKNESS 0.8-2.6



SEE SHEET 1 EC NO: UCP2015-5229 DRWNS:VANG01 2015/06/17 CHKD:BBARKER 2015/06/17 APPR:SMILLER 2015/06/30	QUALITY SYMBOLS ∇=0 ∇=0 ∇=0	GENERAL TOLERANCES (UNLESS SPECIFIED)		DIMENSION STYLE MM ONLY		SCALE 3:1	DESIGN UNITS METRIC	THIRD ANGLE PROJECTION			
		4 PLACES ± --- ± ---	mm INCH	DRAWN BY BBARKER	DATE 2009/11/06	TITLE STACKED SFP 2X1 MEDIUM HEIGHT ASS'Y, PRESS-FIT TAILS WITH LIGHT PIPES		molex			
		3 PLACES ± --- ± ---	mm INCH	CHECKED BY MIBARRA	DATE 2009/11/06						
		2 PLACES ± 0.13 ± ---	mm INCH	APPROVED BY SMILLER		DATE 2010/12/09	DOCUMENT NO. SD-75640-004				SHEET NO. 4 OF 4
1 PLACE ± 0.25 ± ---	mm INCH	ANGULAR ± 5 °		MATERIAL NO. SEE SHEET 1		THIS DRAWING CONTAINS INFORMATION THAT IS PROPRIETARY TO MOLEX INCORPORATED AND SHOULD NOT BE USED WITHOUT WRITTEN PERMISSION					
0 PLACE ± --- ± ---	mm INCH	DRAFT WHERE APPLICABLE MUST REMAIN WITHIN DIMENSIONS		SIZE C							