

7000 series

Rocker and paddle switches



DISTINCTIVE FEATURES

- Wide variety of actuators and terminals
- Many mounting styles for panel or PCB
- 4 contact materials
- 8 electrical functions, maintained or momentary
- UL and CSA approved - for VDE, refer to 57000



ELECTRICAL SPECIFICATIONS

- Current/voltage rating with resistive load :

Contact	Maximum	Minimum	Level *
Silver A	4 A 30 VDC	50 mA 10 VDC	III and IV
Silver, gold plated AD	4 A 30 VDC Gold plating withstands up to 100 mA 30 VDC	10 mA 50 mV 10 μ A 5 V	I to IV
Brass, gold plated CD	0.4 VA at 20 VAC or DC	10 mA 50 mV 10 μ A 5 V	I and II

* For details, see "Technical information" on website.

- For inductive, lamp or capacitive loads, consult factory.
- Initial contact resistance : 10 m Ω
- Insulation resistance : 1,000 M Ω min. at 500 VDC
- Dielectric strength :
 - 1,000 Vrms 50 Hz min. between terminals
 - 1,500 Vrms 50 Hz min. between poles
 - 1,500 Vrms 50 Hz min. between terminals and frame
- Contact bounce : 2 ms max.
- Electrical life : 50,000 cycles at full load



GENERAL SPECIFICATIONS

- Low level or mechanical life : 100,000 cycles
- Panel thickness : 1 (.039) to 2.5 mm(.098)
- Operating temperature : -40 °C to +85 °C (-40 °F to +185 °F)

The company reserves the right to change specifications without notice.



7000 series

Rocker and paddle switches



MATERIALS

- Case : diallyphthalate (DAP) or high temperature plastic material (UL94-V0)
- Actuator : polyamide
- Housing : stainless steel or steel tin plated
- Bracket : steel, tin plated
- Contacts :
- A : silver
- AD : silver, gold plated
- CD : brass, gold plated
- X601 : brass, silver plated
- Terminal seal : epoxy

APEM products may be recycled at end-of-life for the re-claiming of valuable metal components.

AGENCY APPROVALS



3 A 250 VAC
6 A 125 VAC

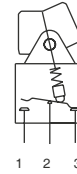
For VDE, refer to 57000 series.

Availability : consult factory for details of approved models.

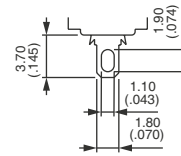
Marking : to order switches marked UL or CSA, complete appropriate box of ordering format.



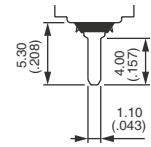
ELECTRICAL FUNCTIONS



TERMINALS



Solder lug



Straight PC

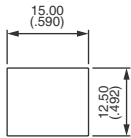
7000 series

Rocker and paddle switches

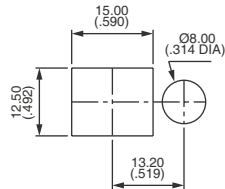


PANEL CUT-OUT

7600 - 7200 - 7400 - 7200Z MODELS

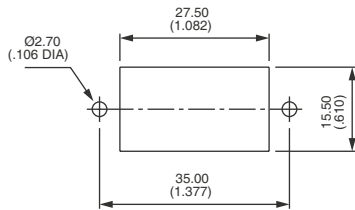


With or without bezel **U1200**

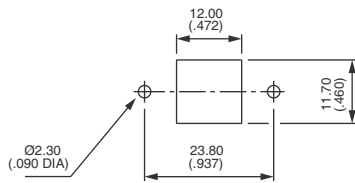


With bezel **U1210**

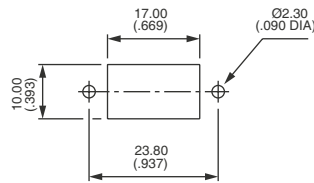
7700 - 7900 MODELS



7700N - 7900N MODELS

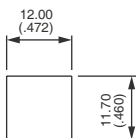


With small rocker **U730**
or small paddle **U700**

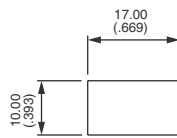


With medium rocker **U620**
or medium paddle **U610**

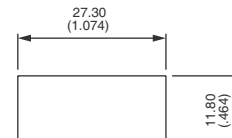
7900W AND 7000Y - Y6 MODELS



With small rocker **U730**
or small paddle **U700**



With medium rocker **U620**
or medium paddle **U610**



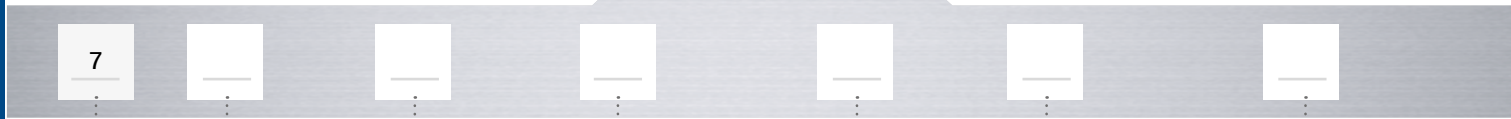
With large rocker **U1010**

7000 series

Rocker and paddle switches

BUILD YOUR PART NUMBER

BASIC PART NUMBER



SERIES

NUMBER OF POLES

TERMINALS

TERMINALS

ELECTRICAL FUNCTIONS

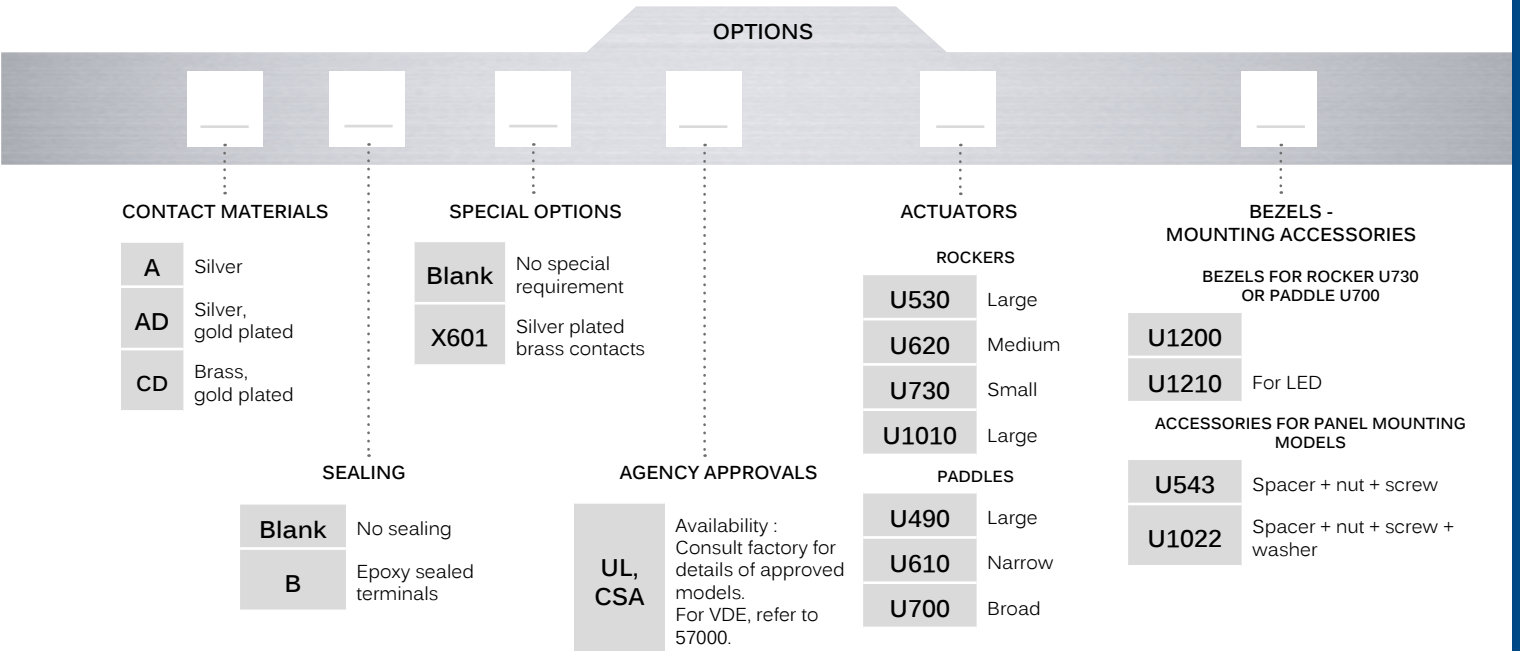
CONNECTIONS FOR FUNCTION 4

MOMENTARY FOR FUNCTION 4

<p>7</p> <p>Right angle terminals or straight PC terminals with bracket</p>	<p>3 Single pole</p> <p>4 Double pole</p> <p>Consult factory for three and four pole models.</p>	<p>Blank Solder lugs or straight PC depending on model</p> <p>W Right angle, horizontal mounting (7900 switches)</p> <p>Y Bracket mounting (7000 switches)</p> <p>Y6</p>	<p>0 Right angle terminals or straight PC terminals with bracket</p> <p>2 Straight PC or quick-connect terminals, 4.7 (.185) terminal spacing, snap-in mounting</p> <p>6 Solder lug terminals, snap-in mounting</p> <p>7 Solder lug terminals, panel mounting</p> <p>9 Straight PC or quick-connect terminals, 4.7 (.185) terminal spacing, panel mounting Right angle terminals</p>	<p>6 ON - ON</p> <p>9 ON OFF ON</p> <p>7 MOM OFF MOM</p> <p>8 ON OFF MOM</p> <p>2 ON - MOM</p> <p>4 ON ON ON ON ON MOM ▲ MOM ON MOM ▲</p> <p>Function 4 Must not have blank in "connections" box. ▲ Must not have blank in "momentary" box.</p>	<p>TH Standard</p> <p>CT Reversed</p> <p>For functions 4, 41R, 42R Leave blank for all other functions.</p>	<p>1R ON ON MOM</p> <p>2R MOM ON MOM</p> <p>Leave blank for other functions.</p>
--	--	--	---	--	---	--

7000 series

Rocker and paddle switches



ABOUT THIS SERIES

On the following pages, you will find successively basic part numbers of switches and options in the same order as in above chart.



Notice : please note that not all combinations of above numbers are available. Refer to the following pages for further information.

7000 series

Rocker and paddle switches

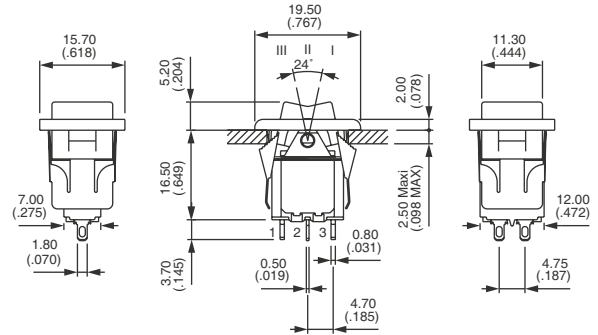
SNAP-IN MOUNTING

SOLDER LUG TERMINALS : 7600



Single pole	Double pole	III 2-3 5-6	II	I 1-2 4-5
7636	7646	ON	-	ON
7639	7649	ON	OFF	ON
7637	7647	MOM	OFF	MOM
7638	7648	ON	OFF	MOM
7632	7642	ON	-	MOM
	7644*	ON	ON	ON
	7644 1R*	ON	ON	MOM
	7644 2R*	MOM	ON	MOM

Shown with rocker U730 and bezel U1200

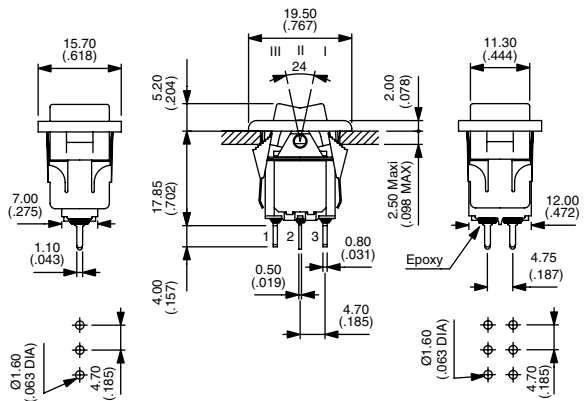


SNAP-IN MOUNTING - STRAIGHT PC TERMINALS

SPACING 4.7 (.185) : 7200



Single pole	Double pole	III 2-3 5-6	II	I 1-2 4-5
7236 B	7246 B	ON	-	ON
7239 B	7249 B	ON	OFF	ON
7237 B	7247 B	MOM	OFF	MOM
7238 B	7248 B	ON	OFF	MOM
7232 B	7242 B	ON	-	MOM
	7244 B*	ON	ON	ON
	7244 1R B*	ON	ON	MOM
	7244 2R B*	MOM	ON	MOM



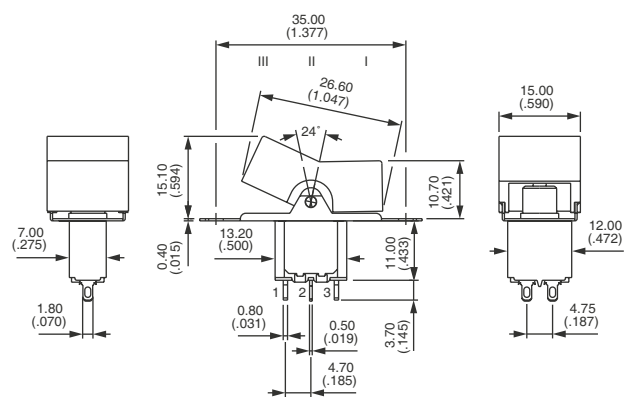
PANEL MOUNTING - LARGE ACTUATOR

SOLDER LUG TERMINALS : 7700



Single pole	Double pole	III 2-3 5-6	II	I 1-2 4-5
7736	7746	ON	-	ON
7739	7749	ON	OFF	ON
7737	7747	MOM	OFF	MOM
7738	7748	ON	OFF	MOM
7732	7742	ON	-	MOM
	7744*	ON	ON	ON
	7744 1R*	ON	ON	MOM
	7744 2R*	MOM	ON	MOM

Shown with rocker U530

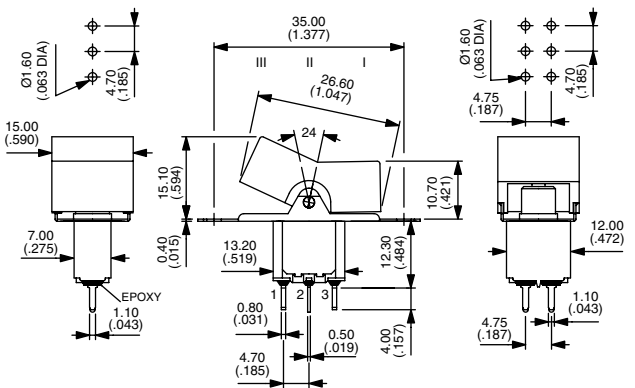


PANEL MOUNTING - LARGE ACTUATOR

STRAIGHT PC TERMINALS : 7900



Single pole	Double pole	III 2-3 5-6	II	I 1-2 4-5
7936 B	7946 B	ON	-	ON
7939 B	7949 B	ON	OFF	ON
7937 B	7947 B	MOM	OFF	MOM
7938 B	7948 B	ON	OFF	MOM
7932 B	7942 B	ON	-	MOM
	7944 B*	ON	ON	ON
	7944 1R B*	ON	ON	MOM
	7944 2R B*	MOM	ON	MOM



* Function 4 : SP in DP case, specify CT or TH connections, see "Technical information" on website.

7000 series

Rocker and paddle switches

PANEL MOUNTING - MEDIUM ACTUATOR SOLDER LUG TERMINALS : 7700N



Single pole	Double pole	III 2-3 5-6	II -	I 1-2 4-5
7736N	7746N	ON	-	ON
7739N	7749N	ON	OFF	ON
7737N	7747N	MOM	OFF	MOM
7738N	7748N	ON	OFF	MOM
7732N	7742N	ON	-	MOM
	7744N*	ON	ON	ON
	7744N 1R*	ON	ON	MOM
	7744N 2R*	MOM	ON	MOM

PANEL MOUNTING - MEDIUM ACTUATOR STRAIGHT PC TERMINALS : 7900N



Single pole	Double pole	III 2-3 5-6	II -	I 1-2 4-5
7936N B	7946N B	ON	-	ON
7939N B	7949N B	ON	OFF	ON
7937N B	7947N B	MOM	OFF	MOM
7938N B	7948N B	ON	OFF	MOM
7932N B	7942N B	ON	-	MOM
	7944N B*	ON	ON	ON
	7944N 1R B*	ON	ON	MOM
	7944N 2R B*	MOM	ON	MOM

RIGHT ANGLE TERMINALS - HORIZONTAL SINGLE POLE



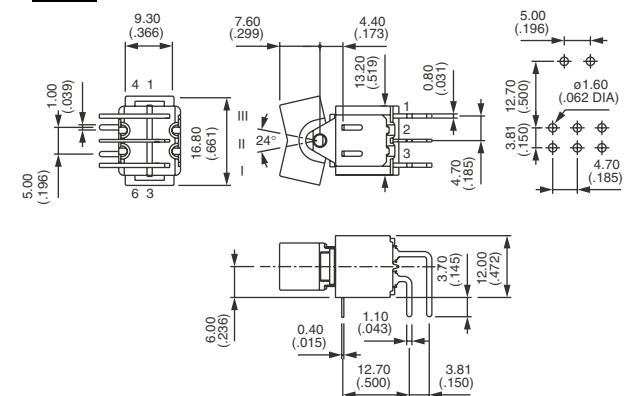
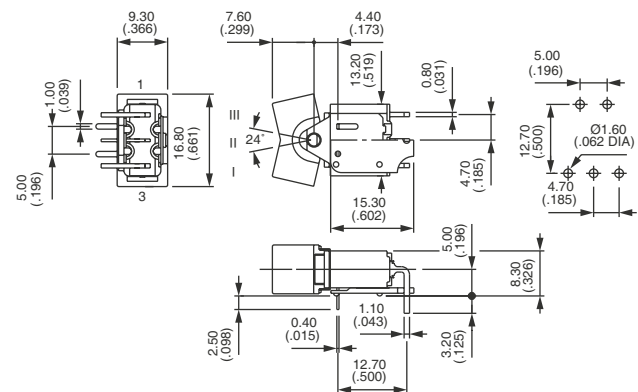
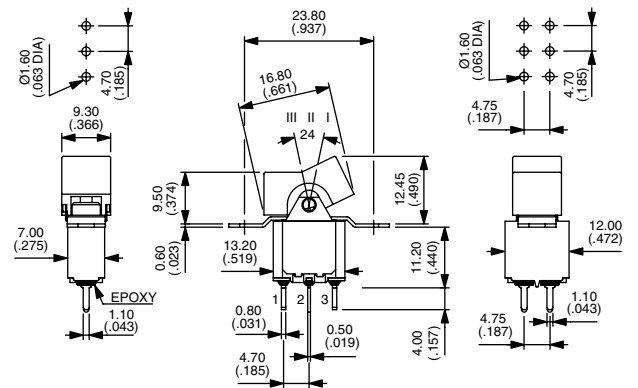
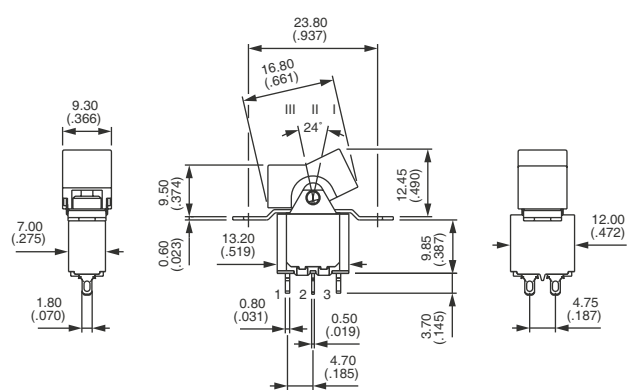
	III 2-3	II -	I 1-2
7936W	ON	-	ON
7939W	ON	OFF	ON
7937W	MOM	OFF	MOM
7938W**	ON	OFF	MOM
7932W**	ON	-	MOM

RIGHT ANGLE TERMINALS - HORIZONTAL DOUBLE POLE



	III 2-3 5-6	II -	I 1-2 4-5
7946W	ON	-	ON
7949W	ON	OFF	ON
7947W	MOM	OFF	MOM
7948W**	ON	OFF	MOM
7942W**	ON	-	MOM
7944W*	ON	ON	ON
7944 1RW*	ON	ON	MOM
7944 2RW*	MOM	ON	MOM

Shown with rocker U620



* Function 4 : SP in DP case, specify CT or TH connections, see "Technical information" on website.

** Functions 2 and 8 : standard connection (CT) shown on drawing - reversed connection available. Consult factory.

7000 series

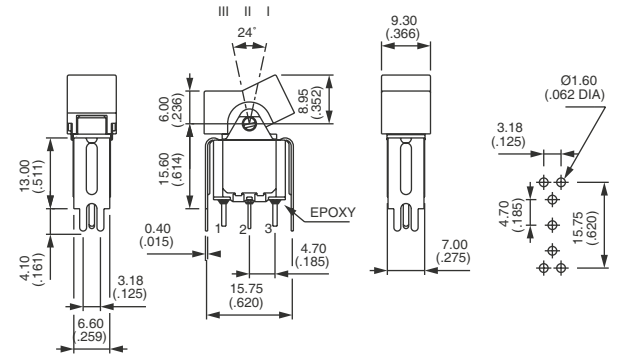
Rocker and paddle switches

SHORT BRACKET - WIDTH 15.75 (.620) - SINGLE POLE : 7030Y



	III	II	I
	2-3		1-2
	5-6		4-5
7036Y B	ON	-	ON
7039Y B	ON	OFF	ON
7037Y B	MOM	OFF	MOM
7038Y B	ON	OFF	MOM
7032Y B	ON	-	MOM

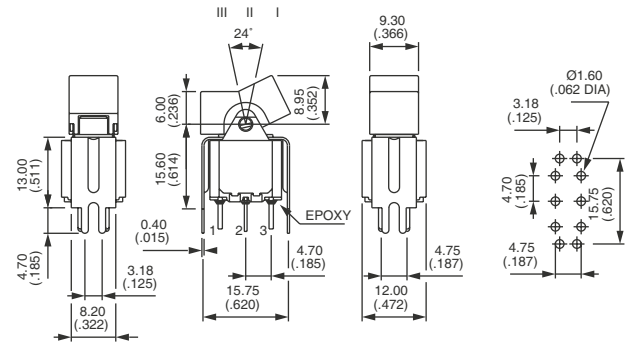
Shown with rocker U620



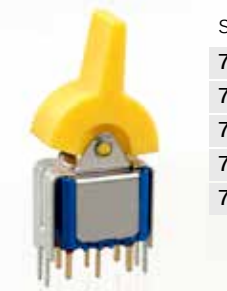
SHORT BRACKET - WIDTH 15.75 (.620) - DOUBLE POLE : 7040Y



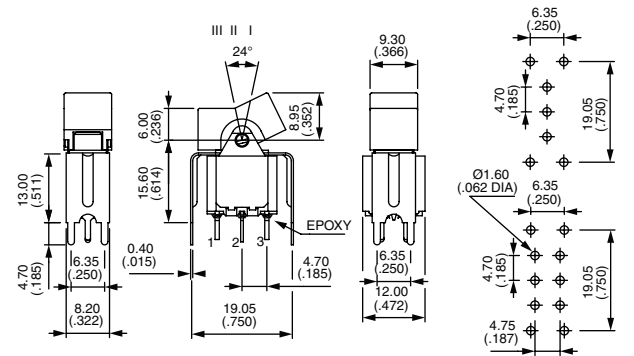
	III	II	I
	2-3		1-2
	5-6		4-5
7046Y B	ON	-	ON
7049Y B	ON	OFF	ON
7047Y B	MOM	OFF	MOM
7048Y B**	ON	OFF	MOM
7042Y B**	ON	-	MOM
7044Y B*	ON	ON	ON
7044Y 1R B*	ON	ON	MOM
7044Y 2R B*	MOM	ON	MOM



SHORT BRACKET - WIDTH 19.05 (.750) : 7000Y6



Single pole	Double pole	III	II	I
		2-3		1-2
		5-6		4-5
7036Y6 B	7046Y6 B	ON	-	ON
7039Y6 B	7049Y6 B	ON	OFF	ON
7037Y6 B	7047Y6 B	MOM	OFF	MOM
7038Y6 B	7048Y6 B**	ON	OFF	MOM
7032Y6 B	7042Y6 B**	ON	-	MOM
	7044Y6 B*	ON	ON	ON
	7044Y6 1R B*	ON	ON	MOM
	7044Y6 2R B*	MOM	ON	MOM

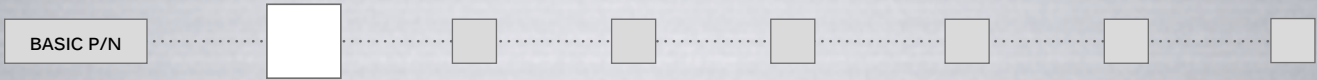


* Function 4 : SP in DP case, specify CT or TH connections, see "Technical information" on website.

7000 series

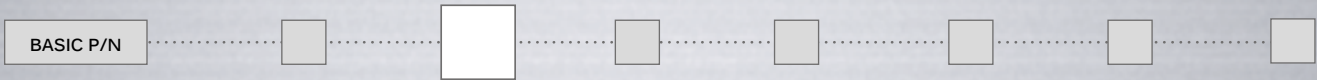
Rocker and paddle switches

CONTACT MATERIALS



- A Silver
- AD Silver, gold plated
- CD Brass, gold plated

SEALING



- Blank No sealing
- B Epoxy sealed terminals



B

SPECIAL OPTIONS



- Blank No special requirement
- X601 Silver plated brass contacts
Current voltage rating for an electrical life of 20,000 cycles : 0.5 A 30 VDC
Minimum quantity : 5,000 pieces per model and shipment.

AGENCY APPROVALS



- UL All standard models
- CSA All standard models
- Blank No agency approval required.

Availability

Consult factory for details of approved combinations or options.

Marking

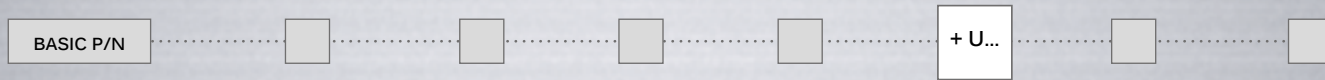
To order switches marked UL or CSA, complete above box with desired approvals in this order, without space (ex. ULCSA).

VDE (with UL & CSA) : Refer to 57000 series.

7000 series

Rocker and paddle switches

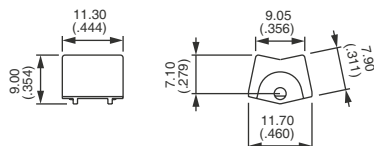
ACTUATORS



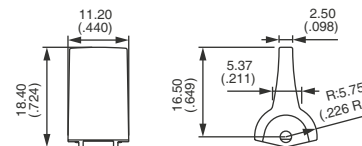
For actuator color, replace last "0" by number :

- 1 Blue
- 1/4 Dark blue
- 2 Black
- 3 Green
- 4 Grey
- 5 Yellow
- 6 Red
- 7 Ivory
- 7/1 White
- 9 Orange

FOR SNAP-IN MOUNTING MODELS : 7600 - 7200 - 7400

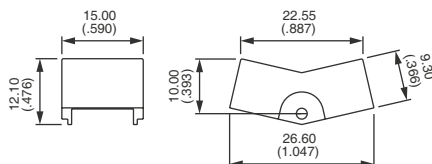


U730
Small rocker

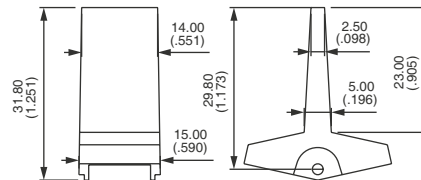


U700
Broad paddle

FOR 7700 AND 7900 MODELS

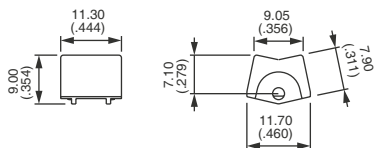


U530
Large rocker

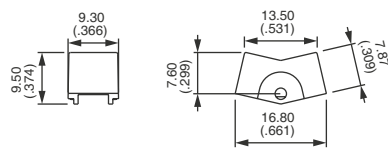


U490
Large paddle

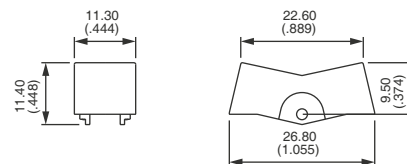
FOR 7700N - 7900N - 7900W AND 7000Y MODELS



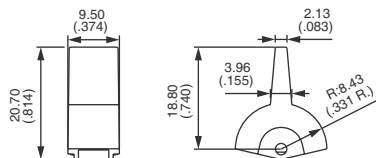
U730
Small rocker



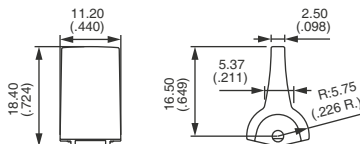
U620
Medium rocker



U1010
Large rocker
For 7900W, available on DP only.



U610
Narrow paddle

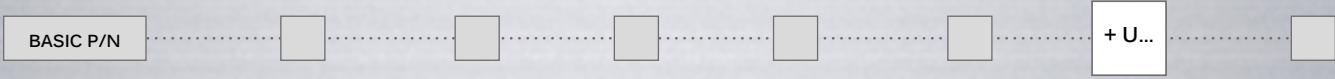


U700
Broad paddle

7000 series

Rocker and paddle switches

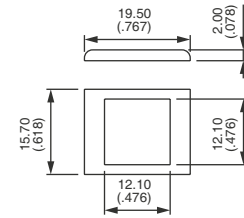
BEZELS



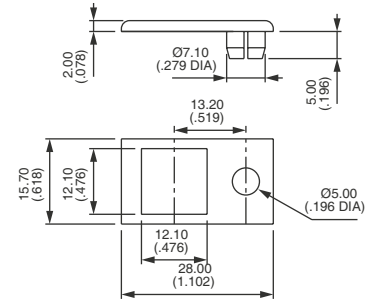
For bezels color, replace last "0" by number :

- 1 Blue
- 1/4 Dark blue
- 2 Black
- 3 Green
- 4 Grey
- 5 Yellow
- 6 Red
- 7 Ivory
- 7/1 White
- 9 Orange

BEZELS FOR PADDLE U700 AND ROCKER U730



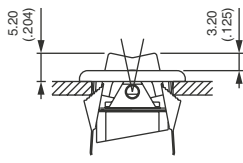
U1200



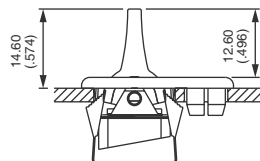
U1210
For LED Ø 5 (.196) - not supplied

STANDARD PANEL MOUNTING

Panel thickness with bezel 1 to 2.5 mm (.039 to .098)

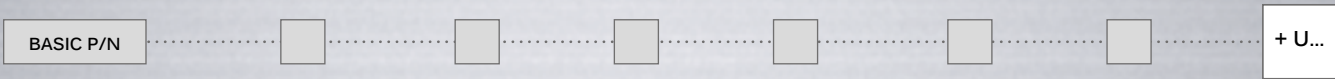


U730 + U1200

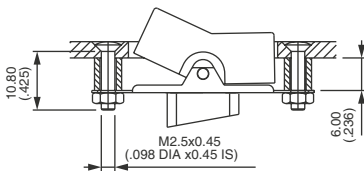


U700 + U1210

MOUNTING ACCESSORIES

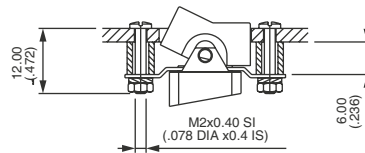


FOR ROCKER U530 OR PADDLE U490



U543
Spacers, screws and nuts

FOR ROCKERS U620 OR U730, FOR PADDLES U610 OR U700



U1022
Spacers, screws, nut and washers