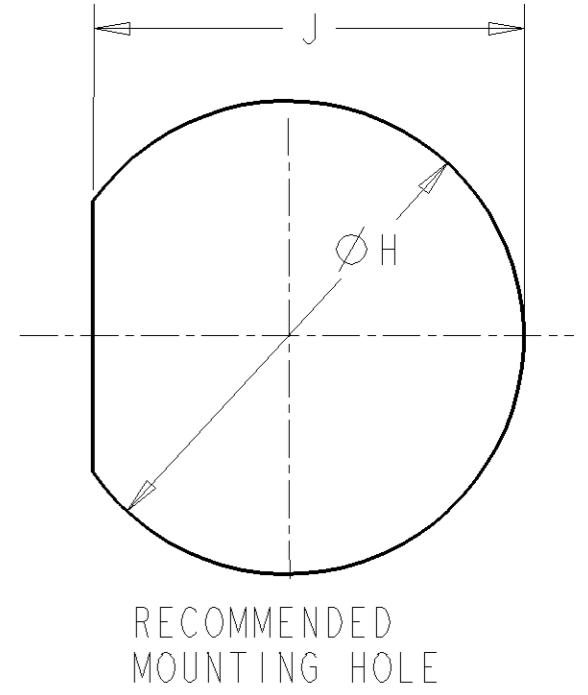
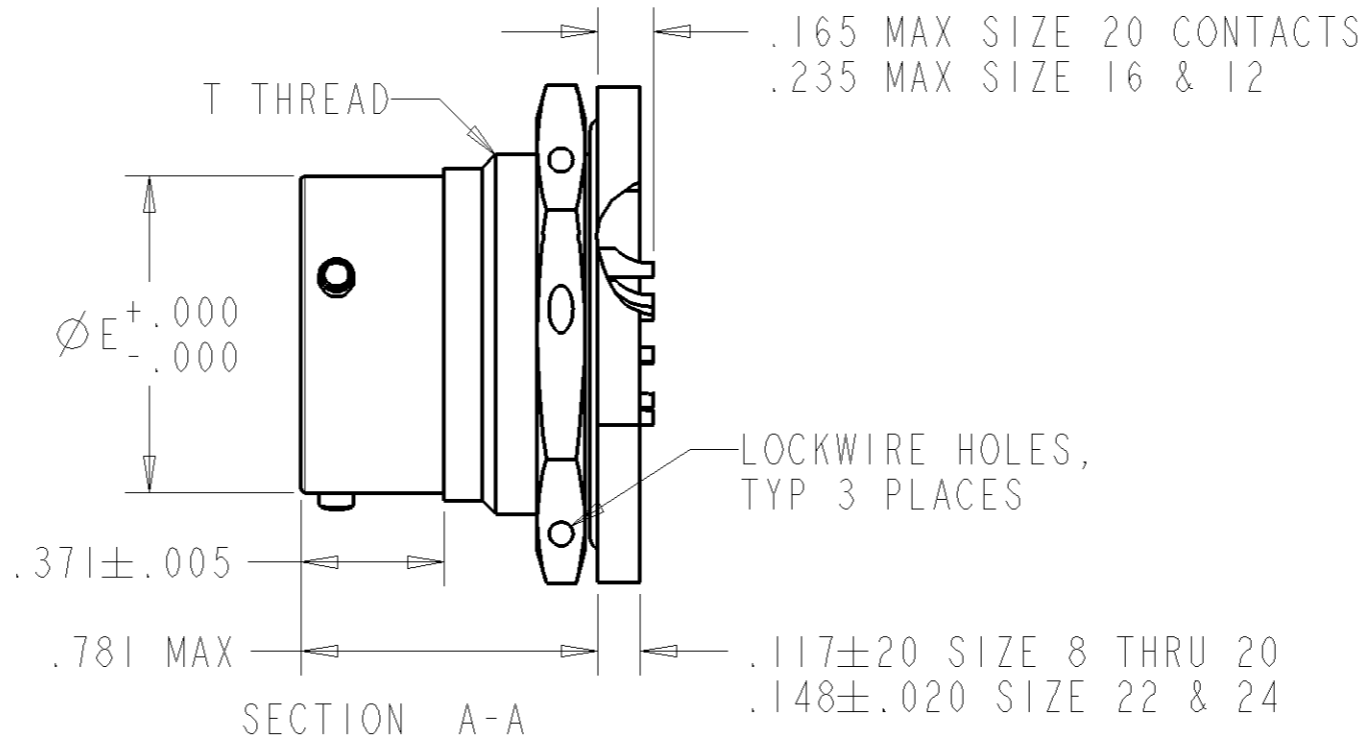
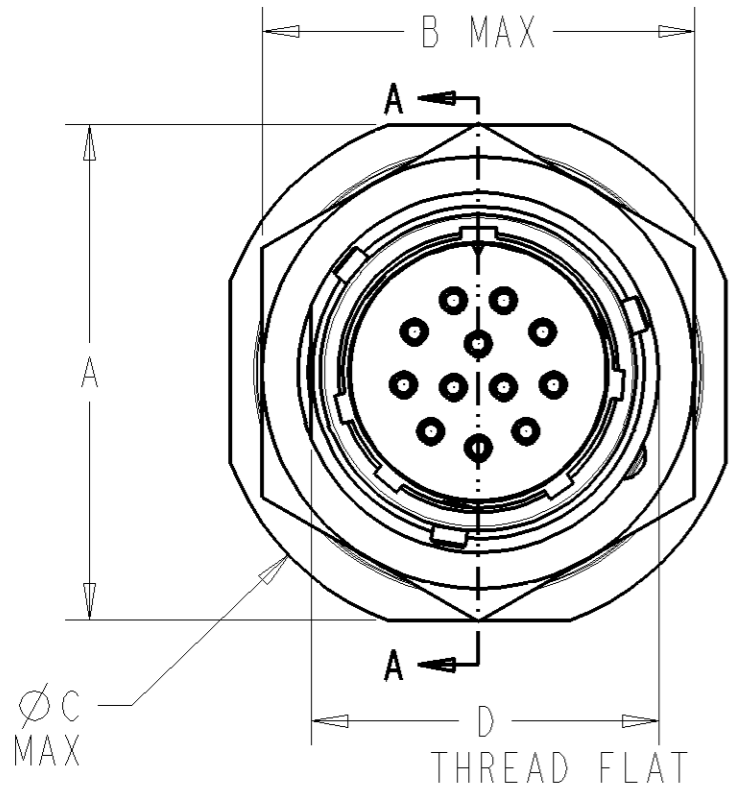


PROPERTY OF DEUTSCH E.C.D
 THIS DRAWING CONTAINS PROPRIETARY INFORMATION THAT SHALL NOT BE DISCLOSED, DUPLICATED,
 NOR USED IN WHOLE OR IN PART FOR ANY PURPOSE OTHER THAN TO EVALUATE THIS DRAWING.

D DL64H-XX-XXPX

REVISIONS			
REV	DESCRIPTIONS	DATE	APPROVED
C	REVISED PER E.O.91516	3-9-83	T.H.
D	REVISED & REDRAWN E.O.D0043	120207	E.A.



DEUTSCH P/N *	A ± .005	B	C	D ± .005	E	H ± .005	J ± .005	T THREAD
DL64H-8-*P*	.979	.828	1.068	.593	.536	.635	.605	.6250-20 UN
DL64H-10-*P*	1.104	.953	1.192	.718	.659	.760	.730	.7500-20 UNEF
DL64H-12-*P*	1.291	1.140	1.380	.905	.829	.947	.917	.9375-20 UNEF
DL64H-14-*P*	1.391	1.250	1.505	.968	.898	1.010	.980	1.0000-20 UNEF
DL64H-16-*P*	1.516	1.329	1.630	1.093	1.025	1.135	1.105	1.1250-20 UN
DL64H-18-*P*	1.641	1.455	1.740	1.217	1.131	1.260	1.225	1.2500-20 UN
DL64H-20-*P*	1.766	1.642	1.860	1.342	1.256	1.385	1.350	1.3750-18 UNEF
DL64H-22-*P*	1.954	1.705	2.040	1.467	1.381	1.510	1.475	1.5000-20 UN
DL64H-24-*P*	2.079	1.892	2.160	1.592	1.506	1.635	1.600	1.6250-18 UNEF

- DIMENSIONS ARE IN INCHES UNLESS OTHERWISE SPECIFIED.
- INSERT ARRANGEMENT PER MIL-STD-1554 (12-12 ARR SHOWN AS REFERENCE ONLY).
- LEAK RATE: <math>< 1E-8 \text{ cc/sec He @ 1 atm.}</math>
- MATERIAL:
 SHELL /JAM NUT- MILD STEEL
 INSULATOR - GLASS INSERT
 CONTACT - 52 HIGH NICKEL-IRON ALLOY
 INTERFACIAL SEAL - ELASTOMER
 O-RING - SILICONE BASE ELASTOMER
- FINISH:
 SHELL - TIN OVER NICKEL PLATING
 CONTACT - GOLD OVER NICKEL

NOTE(S):

	SIGNATURE & DATE
DR	M.ALLEN 120123
CHK	E.ALAWNEH 120207
PE	M.ALLEN 120708
APPD	A.RENGIFO 120207
SCALE: 2:1	

RECEPTACLE
 JAM NUT MOUNTING
 BAYONET COUPLING
 HERMETIC
 MIL-C-83723 TYPE
 ENVELOPE

FILE:DL64H-XX-XXPX_ENV

CP	MATL CODE 74
DEUTSCH ENGINEERED INTERCONNECT SOLUTIONS 250 Eddie Jones Way Oceanside, CA 92058	
B	DL64H-XX-XXPX
DWG SIZE	CAGE CODE 11139 SHEET 1 OF 1