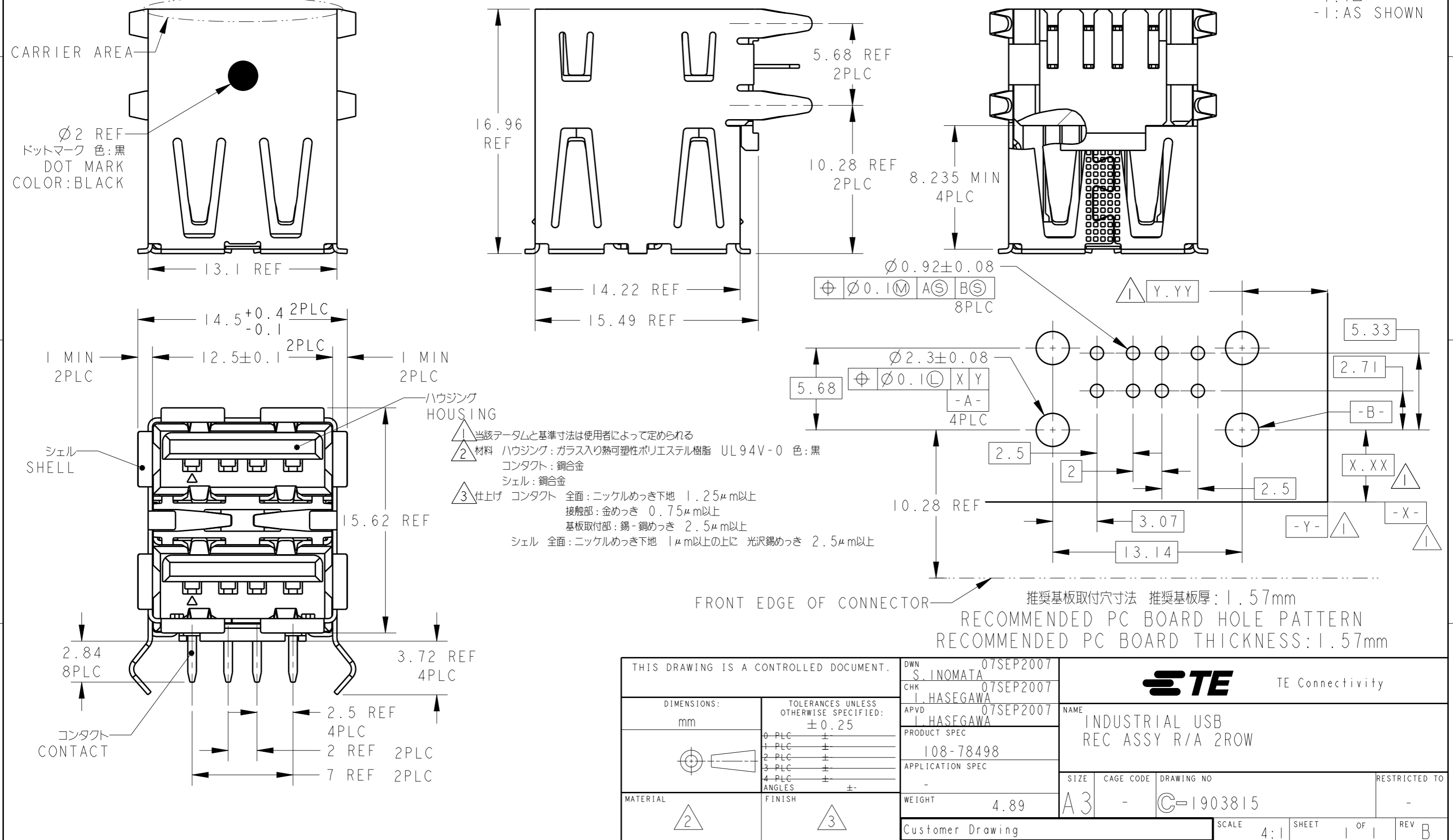


THIS DRAWING IS UNPUBLISHED. RELEASED FOR PUBLICATION 20
 © COPYRIGHT 20 BY - ALL RIGHTS RESERVED.

- 1 DATUM AND BASIC DIMENSION ESTABLISHED BY CUSTOMER.
- 2 MATERIAL HOUSING: POLYESTER OF GLASS FILLED THERMO PLASTIC (UL94V-0), COLOR: BLACK
 CONTACT: COPPER ALLOY
 SHELL: COPPER ALLOY
- 3 FINISH CONTACT UNDER: Ni PLATING ALL SURFACE 1.25μm MIN
 CONTACT AREA: Au PLATING 0.75μm MIN
 P.C. BOARD ATTACHMENT AREA: Tin-Cu PLATING 2.5μm MIN
 SHELL ALL SURFACE: BRIGHT Tin PLATING 2.5μm MIN OVER Ni PLATING ALL SURFACE 1μm MIN

REVISIONS					
P	LTR	DESCRIPTION	DATE	DWN	APVD
	B	REVISED	10APR2015	T.S	N.Y

- I : 本図
 - I : AS SHOWN



- 1 当該アータムと基準寸法は使用者によって定められる
- 2 材料 ハウジング: ガラス入り熱可塑性ポリエステル樹脂 UL94V-0 色: 黒
 コンタクト: 銅合金
 シェル: 銅合金
- 3 仕上げ コンタクト 全面: ニッケルめっき下地 1.25μm以上
 接触部: 金めっき 0.75μm以上
 基板取付部: 錫-銅めっき 2.5μm以上
 シェル 全面: ニッケルめっき下地 1μm以上の上に 光沢錫めっき 2.5μm以上

FRONT EDGE OF CONNECTOR 推奨基板取付穴寸法 推奨基板厚: 1.57mm
 RECOMMENDED PC BOARD HOLE PATTERN
 RECOMMENDED PC BOARD THICKNESS: 1.57mm

THIS DRAWING IS A CONTROLLED DOCUMENT.		DWN 07SEP2007 S. INOMATA	TE Connectivity		
DIMENSIONS: mm		CHK 07SEP2007 I. HASEGAWA			
TOLERANCES UNLESS OTHERWISE SPECIFIED: ±0.25		APVD 07SEP2007 I. HASEGAWA	NAME INDUSTRIAL USB REC ASSY R/A 2ROW		
0 PLC ± 1 PLC ± 2 PLC ± 3 PLC ± 4 PLC ± ANGLES ±		PRODUCT SPEC 108-78498	SIZE A3	CAGE CODE -	DRAWING NO C-1903815
MATERIAL 2		FINISH 3	RESTRICTED TO -		
		WEIGHT 4.89	SCALE 4:1 SHEET 1 OF 1 REV B		
		Customer Drawing			