

Circular Connectors

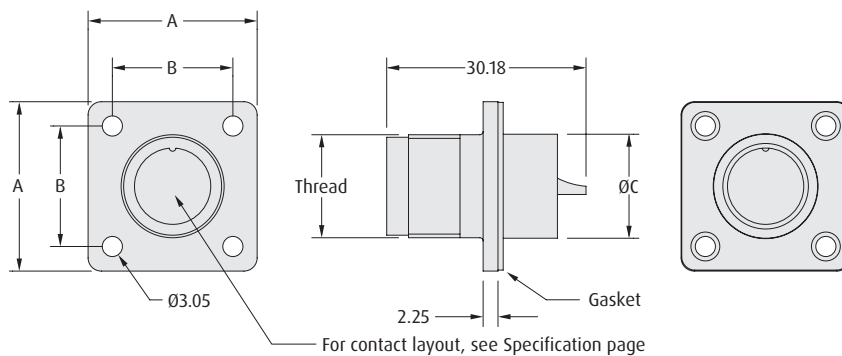
Panel Mount Connector, Receptacle Style

- Male & female circular connectors intermateable with MIL-DTL-5015.
- Features screw holes for panel mounting.
- Gaskets provide panel mount sealing, and can be used either side of the flange.
- Mates with C90-3106F Straight Plug connectors shown on previous page.

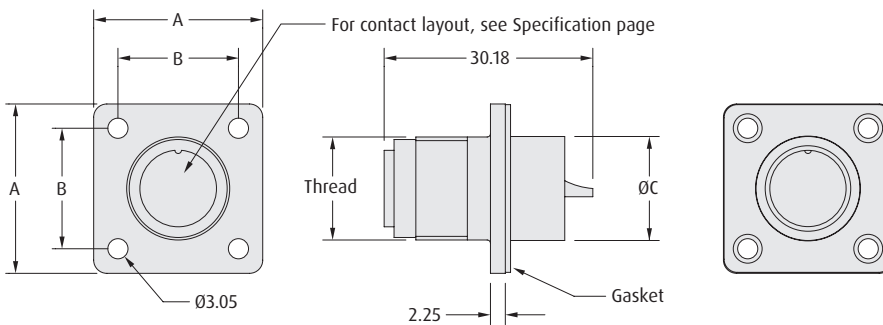


CIRCULAR

MALE CONTACT



FEMALE CONTACT



SHELL SIZE	THREAD	A	B	ØC
10SL-3	5/8-24UNEF	25.65	18.25	15.75
10SL-4	5/8-24UNEF	25.65	18.25	15.75
12S-3	3/4-20UNEF	28.02	20.62	17.17
14S-2	7/8-20UNEF	30.40	23.02	18.92
14S-6	7/8-20UNEF	30.40	23.02	18.92

HOW TO ORDER

C90 - 3102R XXXX-X X

SERIES CODE

TYPE

3102R Panel mount connector with gasket

CONTACT GENDER

P	Male
S	Female

SHELL SIZE

10SL-3	Thread 5/8-24UNEF, 3 contacts
10SL-4	Thread 5/8-24UNEF, 2 contacts
12S-3	Thread 3/4-20UNEF, 2 contacts
14S-2	Thread 7/8-20UNEF, 4 contacts
14S-6	Thread 7/8-20UNEF, 6 contacts

All dimensions in mm.