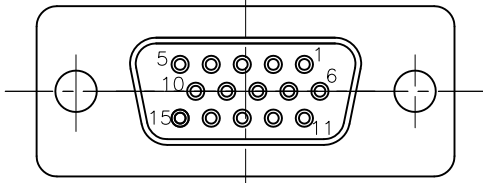
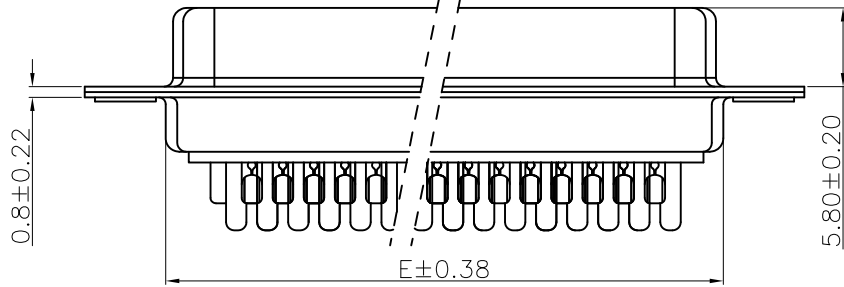


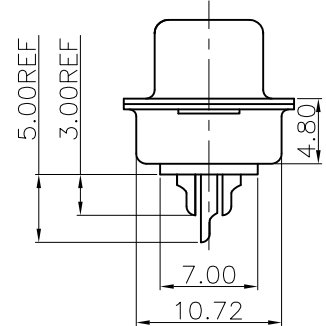
FOR 26/44P



FOR 15P

POS.	PART NO.	A	B	C	D	E
15	10090770-S154ALF	30.81	24.99	16.33	2.29	19.10
26	10090770-S264ALF	39.24	33.32	24.66	2.29	27.75
44	10090770-S444ALF	53.04	47.04	38.38	2.29	41.30

REMARK:  
 1. CHARACTERISTICS:  
 RATED VOLTAGE: 250V  
 RATED CURRENT: 2.5AMP  
 CONTACT RESISTANCE: 25mohms MAX. INITIAL,  
 40mohms MAX. AFTER.  
 INSULATION RESISTANCE: 5000Mohms MIN. at 500V DC  
 DIELECTRIC STRENGTH: 750VRMS  
 OPERATING TEMPERATURE RANGE: -55°C ~105°C  
 INSERTION/EXTRACTION FORCE PER CONTACT: 5N Max. /0.2N Min.  
 MATING/UNMATING CYCLES: 50MATINGS MIN FOR GOLD-FLASH  
 2. MATERIAL:  
 INSULATORS: THERMOPLASTIC G.F(UL94V-0) BLACK  
 CONTACTS: COPPER ALLOY, GOLD(G/F) TOP OVER CONTACT  
 AREA, 100u" Min MATTE TIN TOP OVER SOLDER AREA,  
 50u" Min NICKEL UNDER PLATE.  
 SHELL: CARBON STEEL, 100u" Min NICKEL TOP OVER,  
 50u" Min COPPER UNDER PLATE.  
 3. PART NUMBER DESCRIPTION:



10090770-S XX 4 A LF  
 SERIES NO. [ ]  
 TYPE S: SOCKET (FEMALE)  
 NUMBER OF CONTACTS: 15: 15-PIN, 26: 26-PIN, 44: 44-PIN  
 LF: ROHS COMPLIANT  
 FLANGE MOUNTING OPTION A: STANDARD HOLE  
 CONTACT FINISH 4: GOLD FLASH

POS.	WIRE AWG
15	24~28
26	24~28
44	24~28

mat'l. code				surface		tolerance		projection		product family		
SEE NOTES				ISO 1302	ISO 406	ISO 1101	MM		D-SUB			
ltr	ecn no	dr	date	tolerances unless otherwise specified		MM		title		H/D D-SUB FEMALE SOLDER BUCKET		
D	ELX-I-20972	AB	2015/05/30	angles	.X ± 0.38	MM		scale 1:1		-		
-	-	-	-	lineal	.XX ± 0.25	FCI		dwg no		sheet 1 of 1 size		
-	-	-	-	0° ± 2'	.XXX ± 0.10	FCI		10090770		A4		
-	-	-	-	dr	JASON HSU	12/10/09	type		PRODUCT_CUSTOMER		Drawing	
-	-	-	-	engr	ALIAS BABU	2015/05/30	-		-		-	
-	-	-	-	chr	MITHUN PAUL	2015/05/30	-		-		-	
-	-	-	-	appd	BIJU K PAUL	2015/05/30	-		-		-	
sheet index	revision sheet	D	-	-	-	-	-	-	-	-	-	-
1	1	-	-	-	-	-	-	-	-	-	-	-