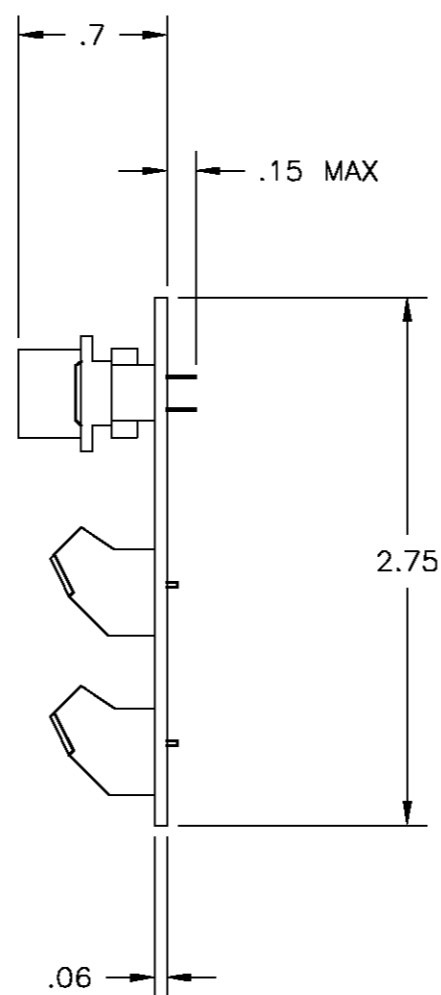
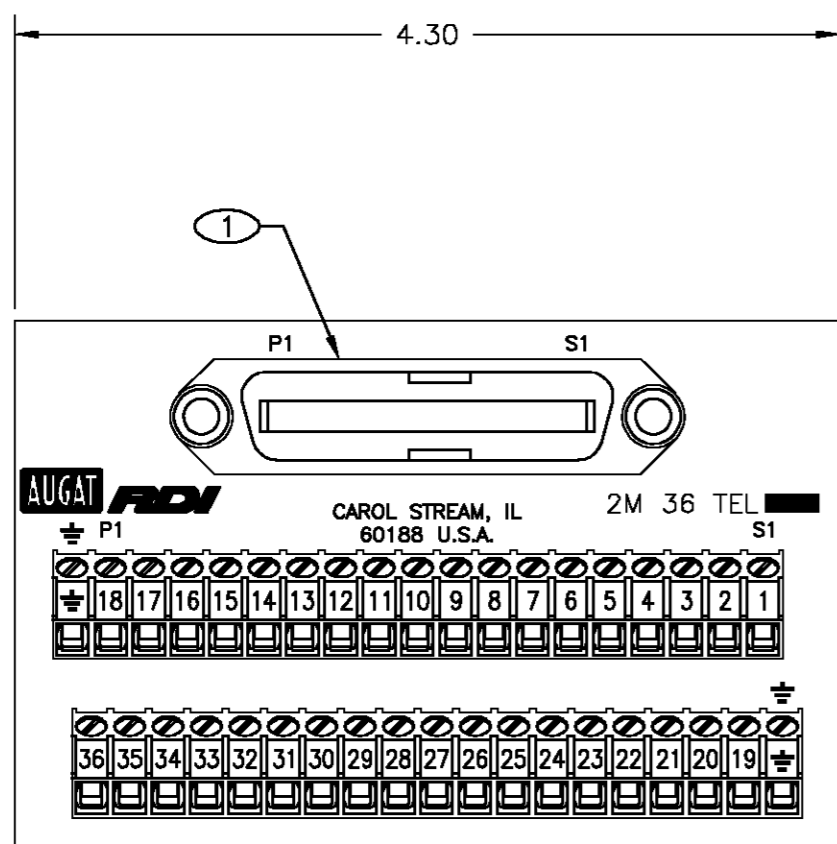


THIS DRAWING IS UNPUBLISHED. RELEASED FOR PUBLICATION
 © COPYRIGHT BY TYCO ELECTRONICS CORPORATION. ALL RIGHTS RESERVED.

LOC		DIST		REVISIONS			
P	LTR	DESCRIPTION	DATE	DWN	APVD		
0		REVISED PER 0G3B-0026-02	01APR04	MF	SY		



SPECIFICATIONS:

TELCO SOCKET CONNECTOR:

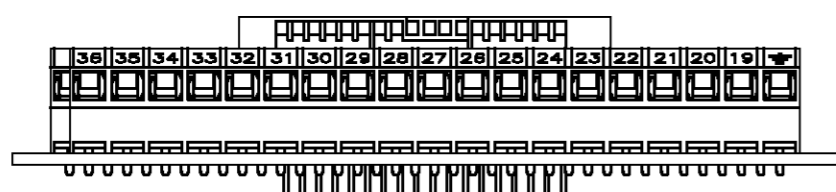
MATERIALS:
 HOUSING: THERMOPLASTIC POLYESTER, 94V-0.
 CONTACTS: COPPER ALLOY, GOLD OVER NICKEL
 CONNECTOR: COPPER ALLOY, GOLD OVER NICKEL,
 94V-0 THERMOPLASTIC.

TERMINAL BLOCK:

MATERIALS:
 HOUSING: THERMOPLASTIC NYLON, BLACK, 94V-0.
 TERMINALS: COPPER ALLOY, BRIGHT ACID-TIN OVER
 COPPER PLATED.
 SCREWS: 3M, BRASS, NICKEL PLATED.
ELECTRICAL:
 RATING: 10A, 300V,
MECHANICAL:
 WIRE RANGE: 14-22 AWG.

MOUNTING:

MATERIALS:
 MOUNTING: 2TK2 AND 2TK2D SERIES SNAPTRACK,
 (SOLD SEPARATELY).



2-1437684-1
 PART NO.

THIS DRAWING IS A CONTROLLED DOCUMENT.		DWN M.S. FEHER 01APR2004	Tyco Electronics Corporation Harrisburg, Pa 17105-3608	
DIMENSIONS: INCHES		CHK S. YODER 01APR2004	NAME 2M36TELS ASSEMBLY	
TOLERANCES UNLESS OTHERWISE SPECIFIED: 0 PLC ± - 1 PLC ± .1 2 PLC ± .01 3 PLC ± - 4 PLC ± - ANGLES ± - FINISH		APVD S. YODER 01APR2004	DRAWING NO A2 00779 C=2-1437684-1	
MATERIAL		PRODUCT SPEC	SCALE 1:1	RESTRICTED TO
		APPLICATION SPEC	SHEET 1 OF 1	REV 0
		WEIGHT	CUSTOMER DRAWING	

2-1437684-1