

1

2

3

4

5

6

7

A

A

B

B

C

C

D

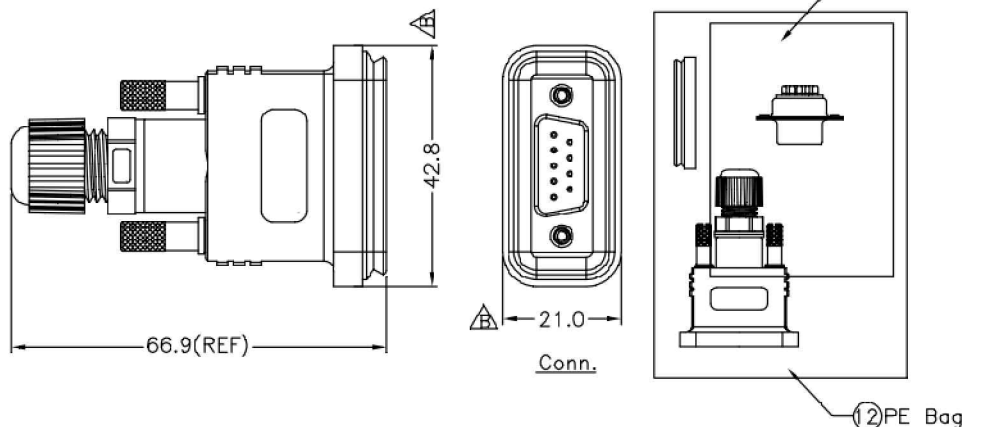
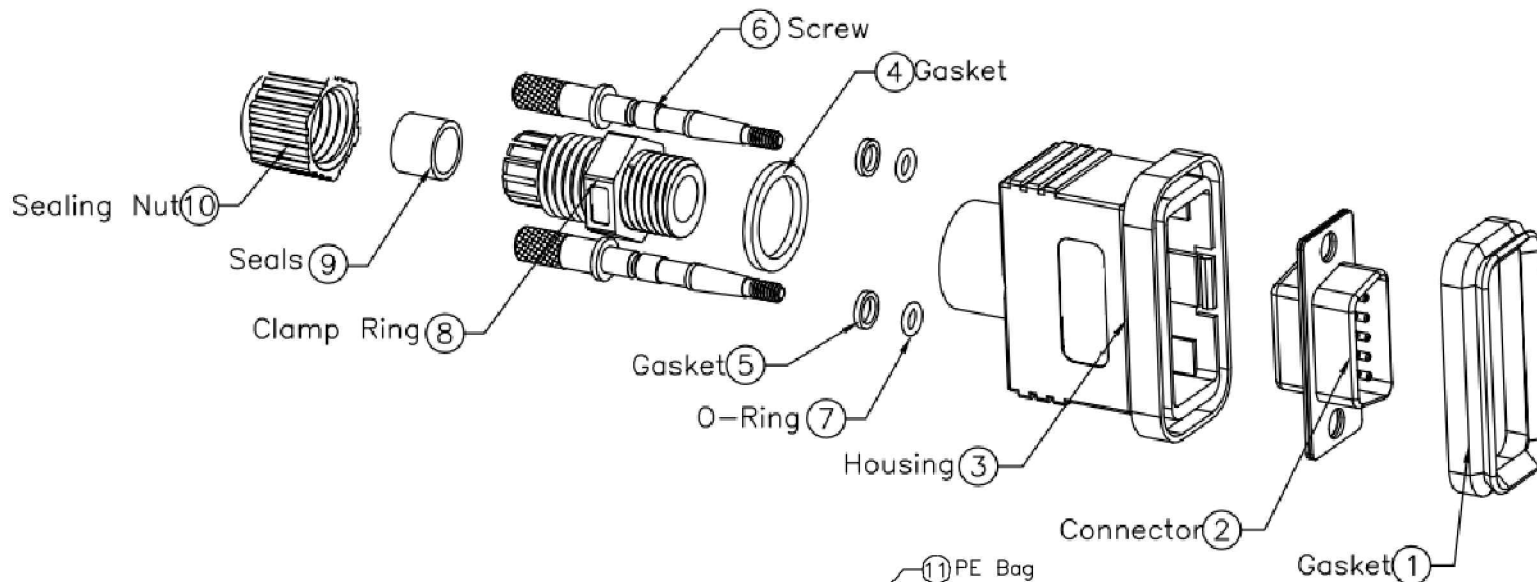
D

E

E

F

F




Note:

- * Waterproof Rate: IP67
- * Housing:ABS,Black.
- * Connector:D-SUB 09Pin, Male Pin:Brass,Gold Flash.
- * Gasket:EPDM,Black.
- * Screw:Brass,Nickel Plated.
- * O-Ring:Silicone,Clear.
- * Seals For Cable OD:ø3.5mm~ø7.0mm
- * Clamp Ring:Nylon,Black.
- * Seals:EPDM,Black.
- * Sealing Nut:Nylon,Black.
- * One Set Unassembled in One PE Bag.

G

G

RoHS compliant
UNIT:mm

Scale	Free				Date	Name	Customer-No.
TOLERANCE					Drawn	22.04.2014	Joanna
	±0.5				Approved	22.04.2014	Joanna
DIM	TOL						
X.°	±X°						
X.X°	±X°	©	Drawn	22.04.2014			
Angle	TOL	Id.	Modification	Date	Name	Replace	Sheet

Customer-No.

Drawn

22.04.2014

Joanna

ASSMANN WSW-No.

A-DS09-HOOD-WP

Drawing-No.

ASS 6258 CO

rev00

Replace

Sheet

H

H

1

2

3

4

5

6

7