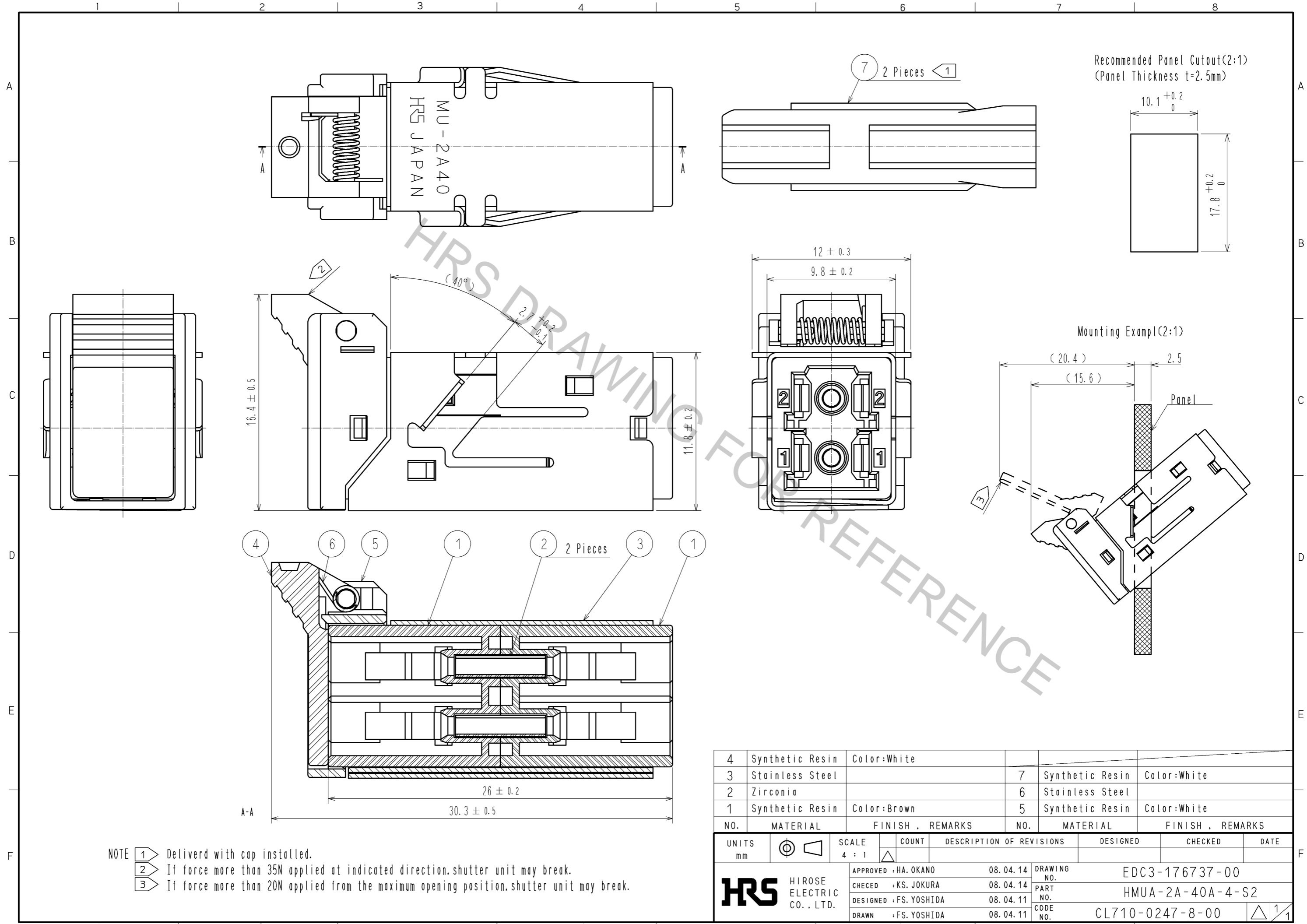


Apr.1.2017 Copyright 2017 HIROSE ELECTRIC CO., LTD. All Rights Reserved.



**HRS** HIROSE ELECTRIC CO., LTD.

APPROVED : HA. OKANO 08.04.14  
 CHECKED : KS. JOKURA 08.04.14  
 DESIGNED : FS. YOSHIDA 08.04.11  
 DRAWN : FS. YOSHIDA 08.04.11

DESIGNED : EDC3-176737-00  
 CHECKED : HMUA-2A-40A-4-S2  
 DATE : CL710-0247-8-00  
 SCALE : 4 : 1  
 COUNT : 1  
 DESCRIPTION OF REVISIONS