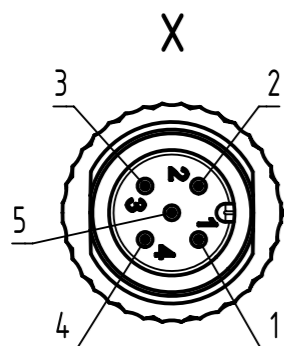


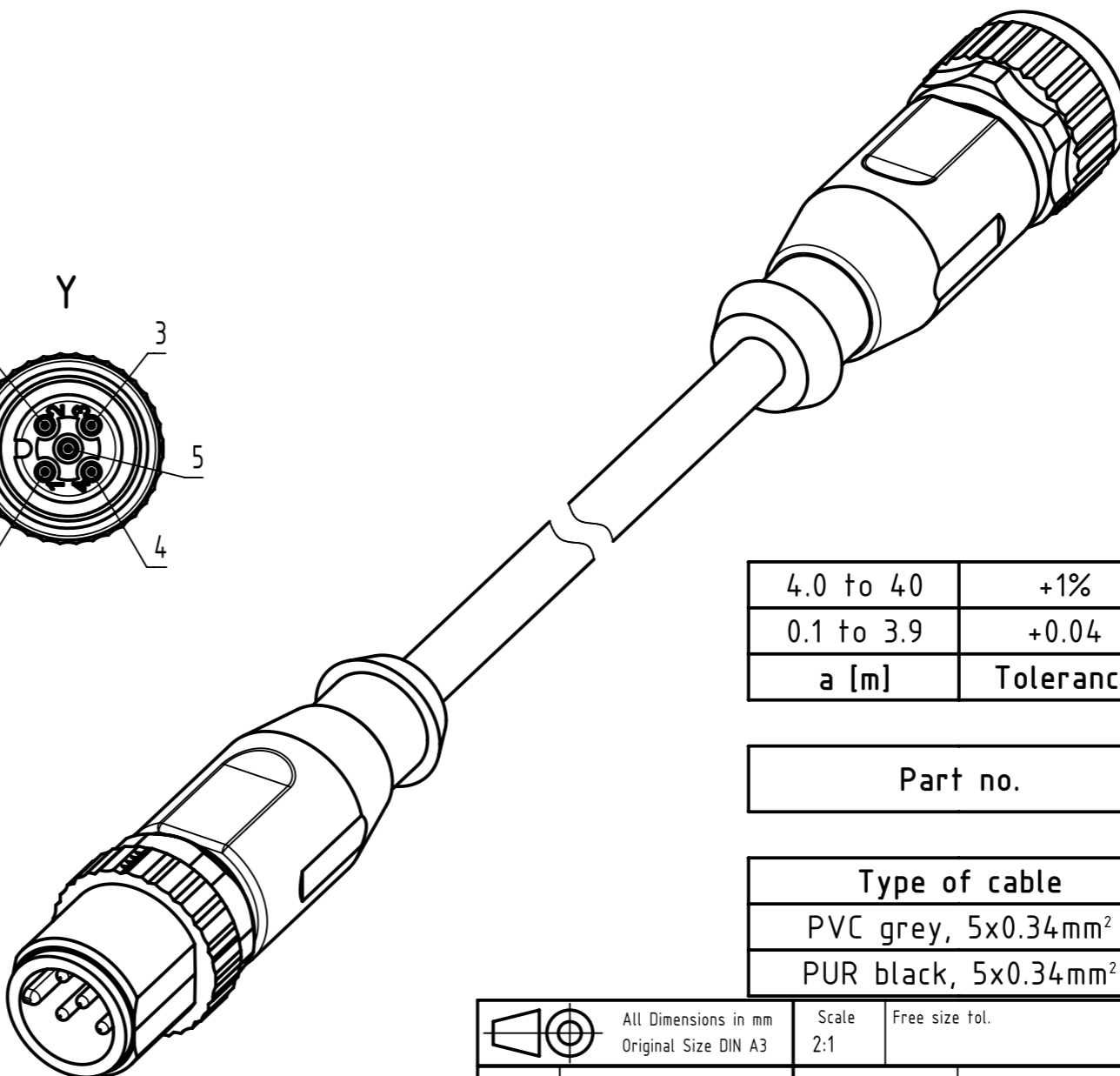
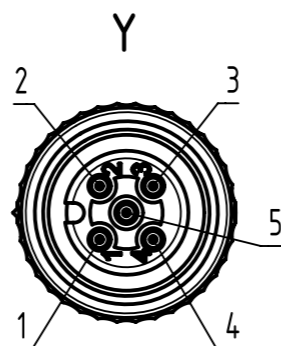
M12 A-coded 5-pole, male straight connector

M12 A-coded 5-pole, female straight connector

Loading-Plan:



- 1 brown 1
- 2 white 2
- 3 blue 3
- 4 black 4
- 5 green-yellow 5



- Protection level: IP67
 - Temperature range: -25°C ... +80°C

length in "1m" step	40	XXX=400
	39	XXX=390
	.	.
	12	XXX=120
	11	XXX=110
length in "0.1m" step	10	XXX=100
	9.9	XXX=099
	9.8	XXX=098
	.	.
	0.4	XXX=004
	0.3	XXX=003
	0.2	XXX=002
0.1	XXX=001	
Step	a [m]	XXX

4.0 to 40	+1%
0.1 to 3.9	+0.04
a [m]	Tolerance

Part no.	213484855XXX
----------	--------------

Type of cable	XX
PVC grey, 5x0.34mm ²	XX=85
PUR black, 5x0.34mm ²	XX=92

All rights reserved Department EC PD - RO		All Dimensions in mm Original Size DIN A3	Scale 2:1	Free size tol.	Ref. Sub.
HARTING Electronics GmbH D-32339 Espelkamp	Created by TAMAS	Inspected by AVRAM	Standardisation HOFFMANN	Date 2015-05-20	State Final Release
Title M12 A-coded Cable Assembly		Type TB		Number 213484855XXXXX	
Doc-Key / ECM-Nr. 100578788/UGD/009/C 50000089226					Rev. C
					Page 1/1