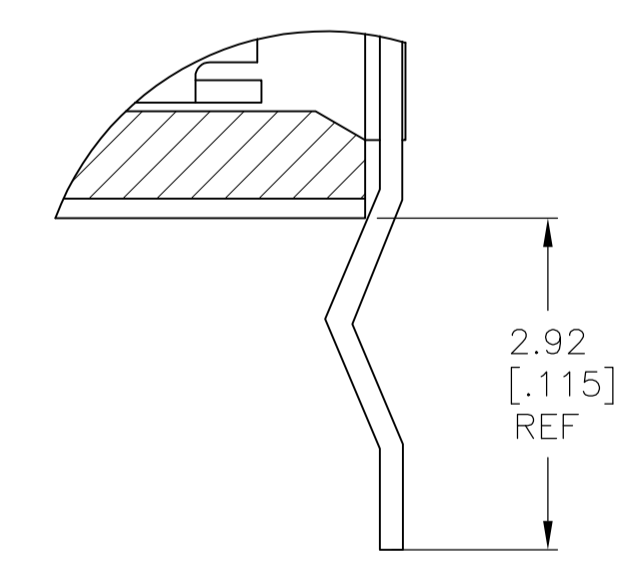
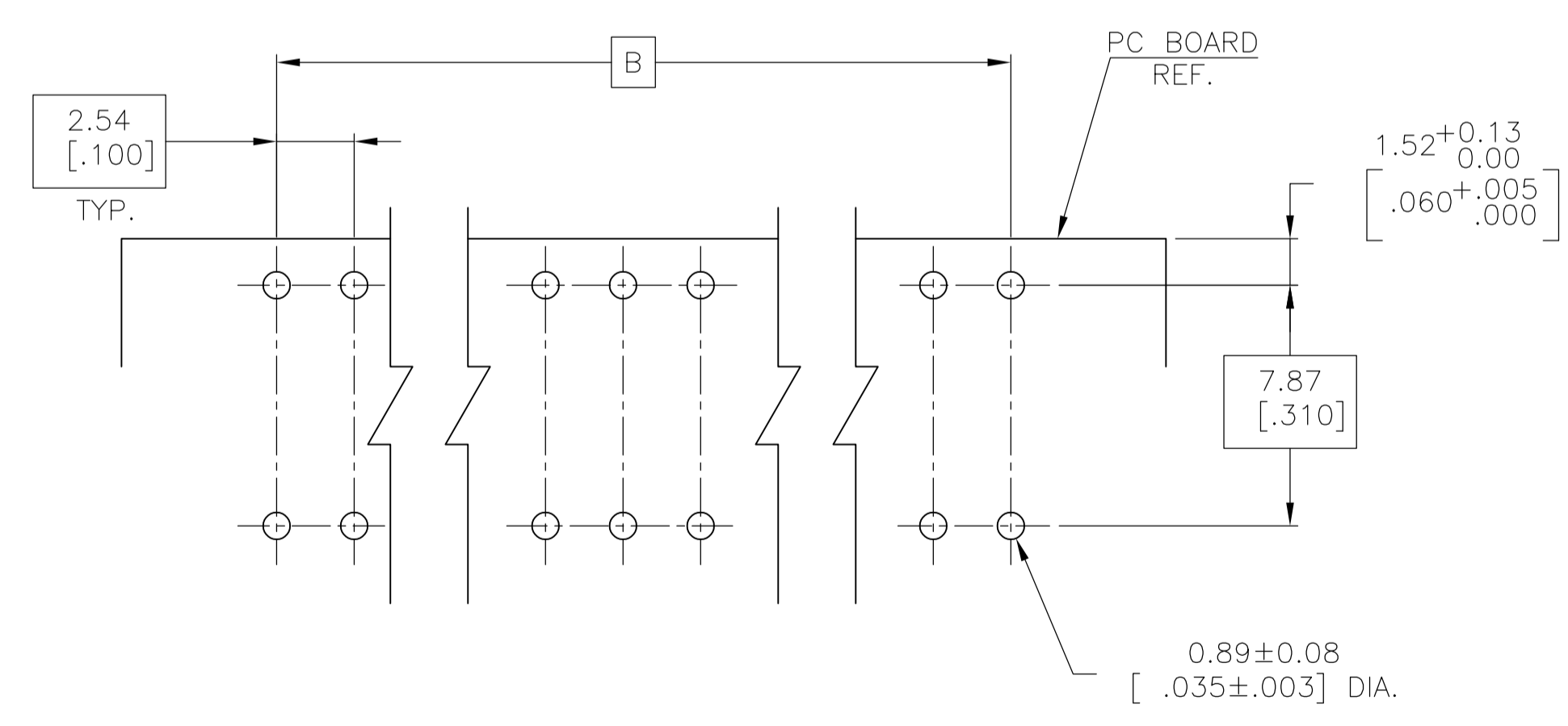
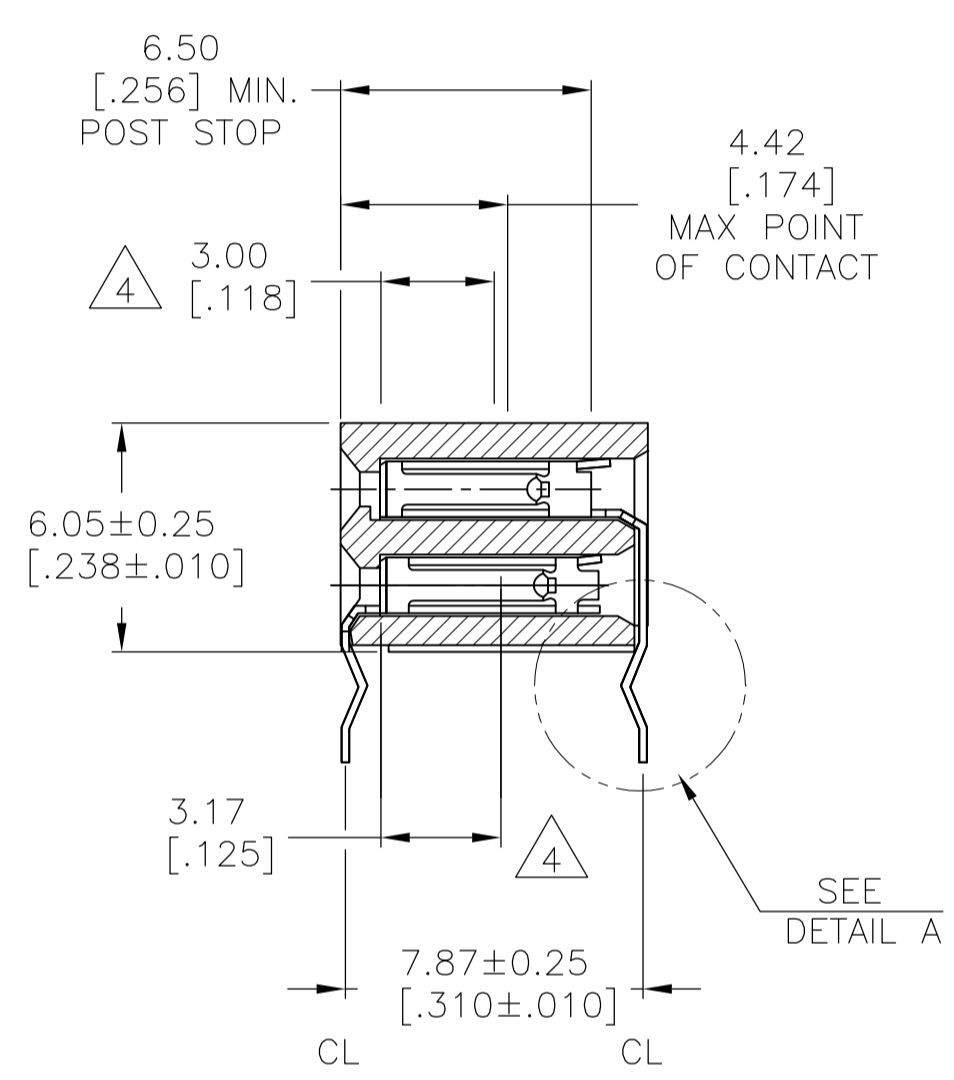
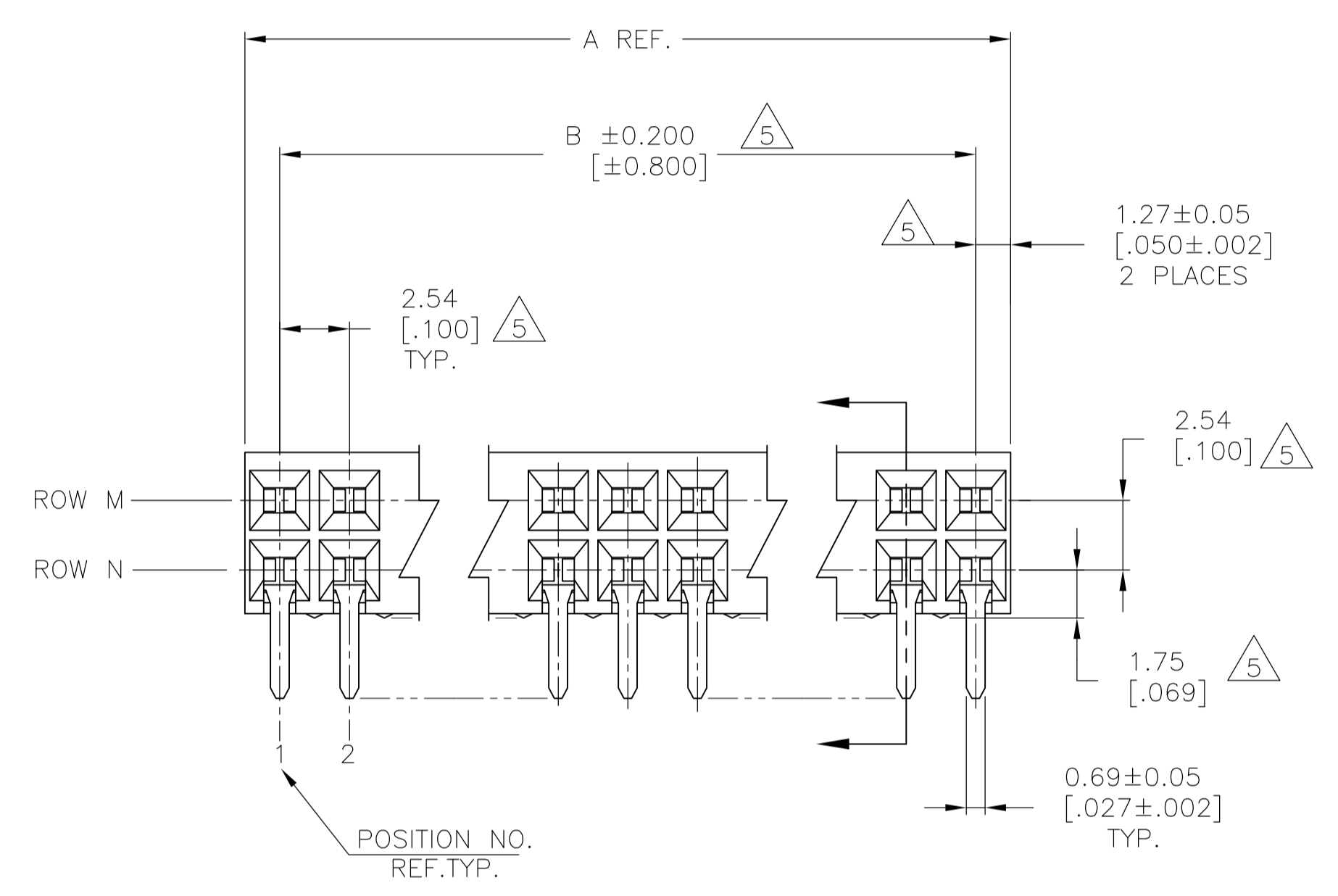
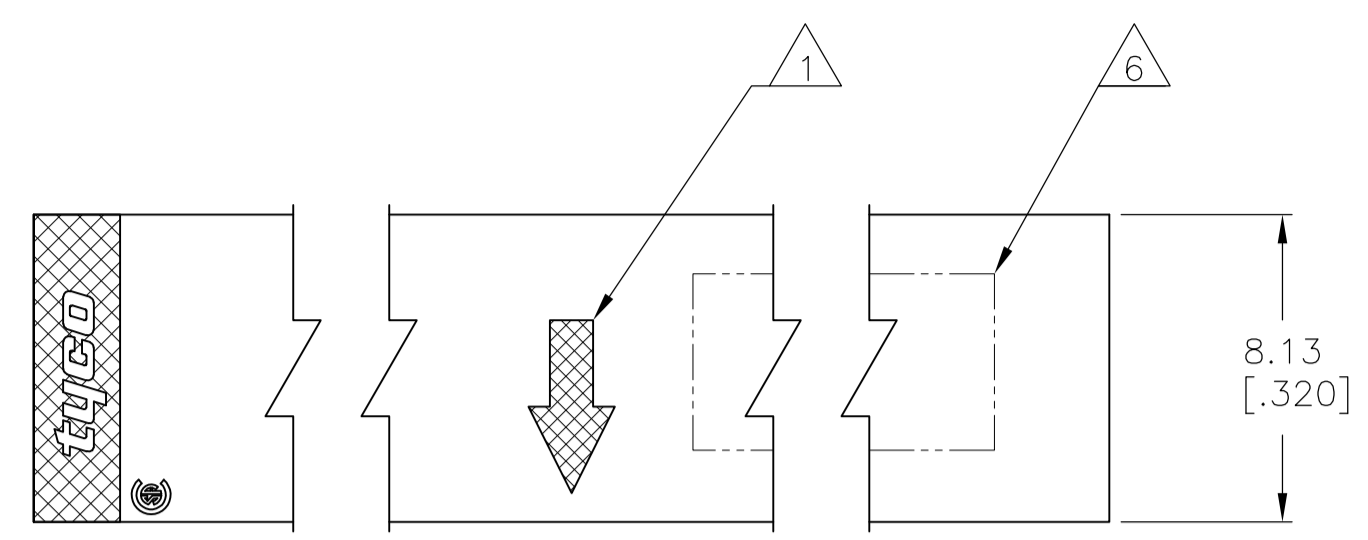


LOC		DIST		REVISIONS			
AD	00	REV	DATE	BY	CHK	APP	REV
D1	ECO 06 019655		55EP06	BSV	JO		
D2	REVISED PER ECO-09-020689		27AUG09	KK	AEG		



- 1 MOLDED IN ARROW DESIGNATES THE MATING FACE OF THE CONNECTOR.
- 2 HOUSING MATERIAL : GLASS FILLED, FLAME RETARDANT POLYESTER, COLOR-BLACK. CONTACT MATERIAL: PHOSPHOR BRONZE.
- 3 CONTACT FINISH : .00254-.00508 [.000100-.000200] THICK BRIGHT TIN LEAD, ALL OVER .00127 [.000050] MIN NICKEL, ENTIRE CONTACT.
- 4 POINT OF MEASUREMENT FOR PLATING THICKNESS OF CONTACT AREA. (INSIDE CONTACT BEAMS ONLY)
- 5 DIMENSIONS PERTAIN TO CAVITY CENTERLINES.
- 6 DATE CODE AND PART NUMBER MARKED IN APPROXIMATE LOCATION SHOWN.
- 7 CONTACT FINISH: .00254-.00508 (.000100-.000200) THICK MATTE TIN, ALL OVER .00127 (.000050) MIN NICKL, ENTIRE CONTACT"
- 8 ROHS 2002/95/EC COMPLIANT
- 9 OBSOLETE PARTS: OBSOLETE CIS STREAMLINING PER D.RENAUD/D.SINISI

9 OBSOLETE	7	1,2,5	1,2,5	3,4	3,4	12.70 [0.500]	10.16 [0.400]	4	10	5-146742-1 8
	3	1,2,5	1,2,5	3,4	3,4	12.70 [0.500]	10.16 [0.400]	4	10	146742-1
FINISH		ROW N	ROW M	ROW N	ROW M	C	B	A	NO.OF POSITIONS	PART NUMBER
		CONTACTS KINKED		CONTACTS OMITTED						

THIS DRAWING IS A CONTROLLED DOCUMENT.

DIMENSIONS: mm [INCHES]	TOLERANCES UNLESS OTHERWISE SPECIFIED:	DIN T. HOFFMAN 19FEB96	Tyco Electronics Corporation Harrisburg, Pa 17105-3608
0 PLC ± -	1 PLC ± -	CHK A. GABANY 19FEB96	
2 PLC ± -	3 PLC ± -	APPV A. GABANY 19FEB96	NAME AMPMODU MOD II RCPT ASSY, HORIZONTAL, .100 CL, 2 ROW, CLOSED-ENTRY, SHORT POINT-OF-CONTACT, FULL TIN-LEAD
4 PLC ± -	ANGLES ± -	APPLICATION SPEC	SIZE CAGE CODE DRAWING NO
MATERIAL 2	FINISH 3 7	WEIGHT -	A1 00779 C=146742
CUSTOMER DRAWING		SCALE 5:1	SHEET 1 OF 1 REV D2