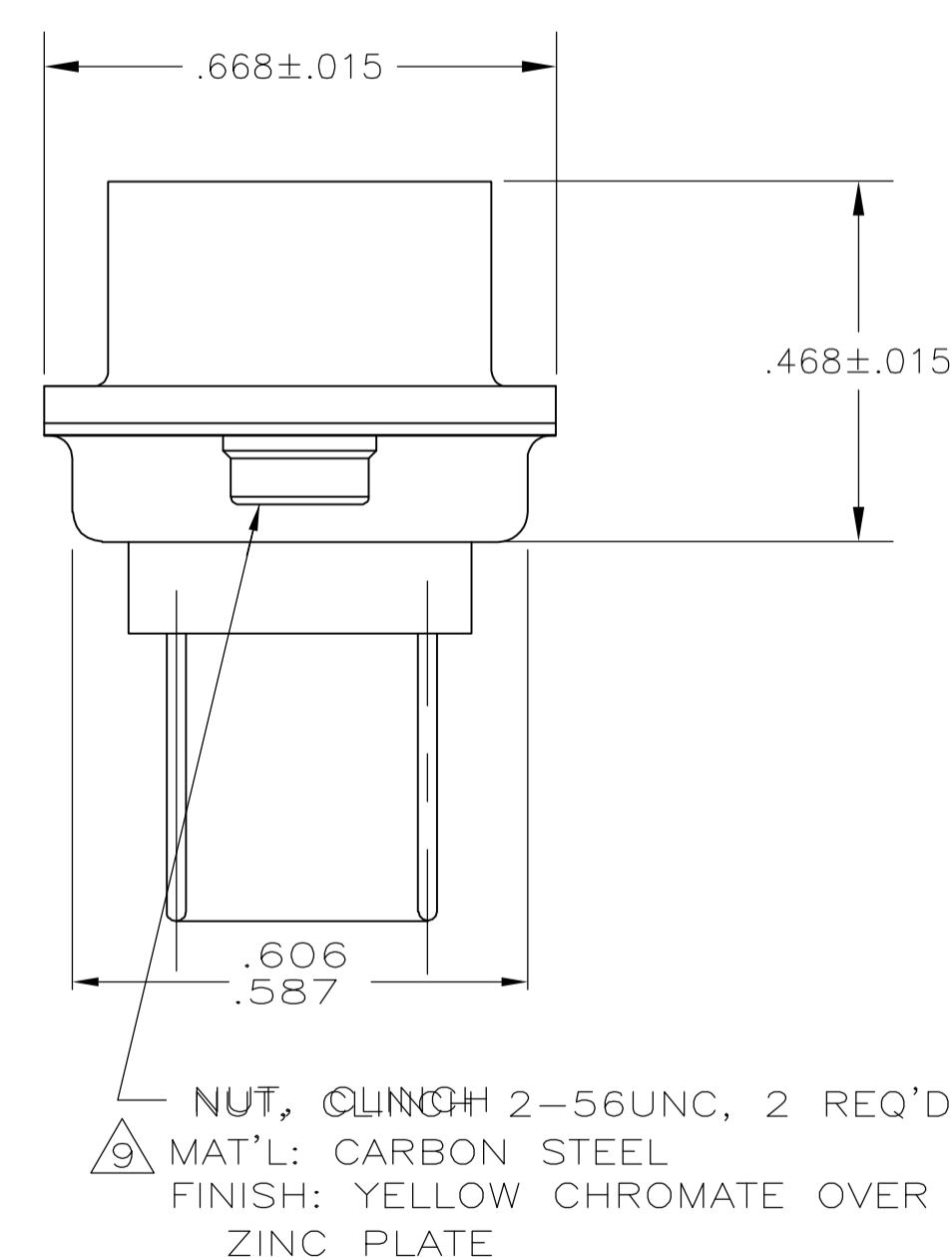
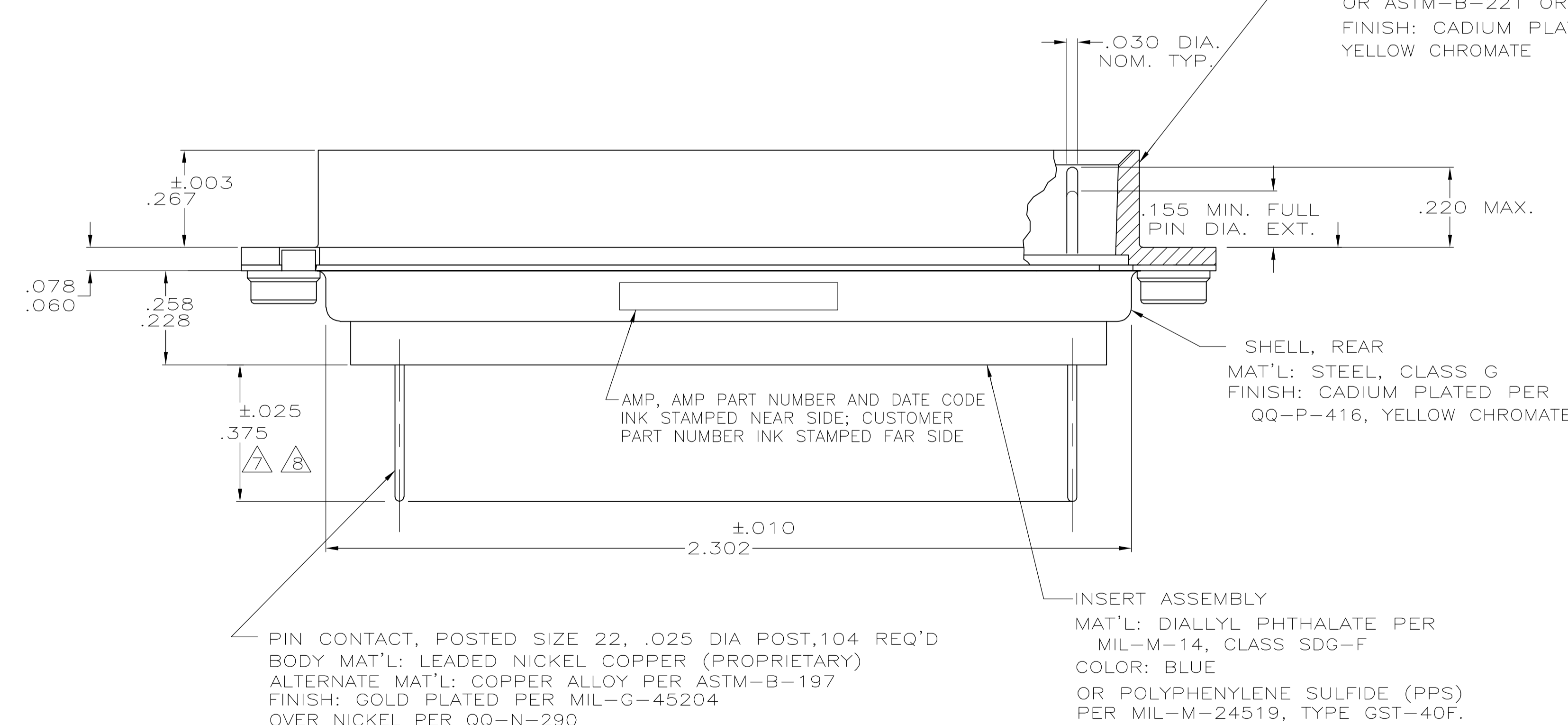
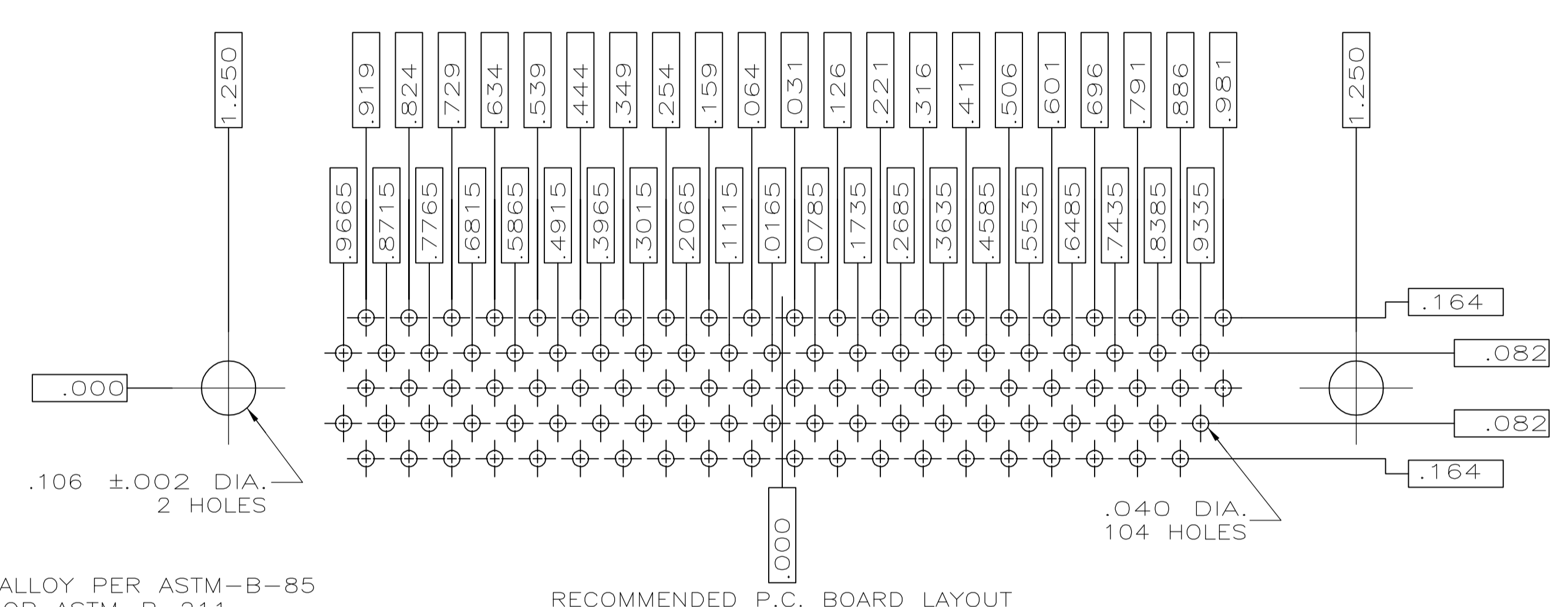
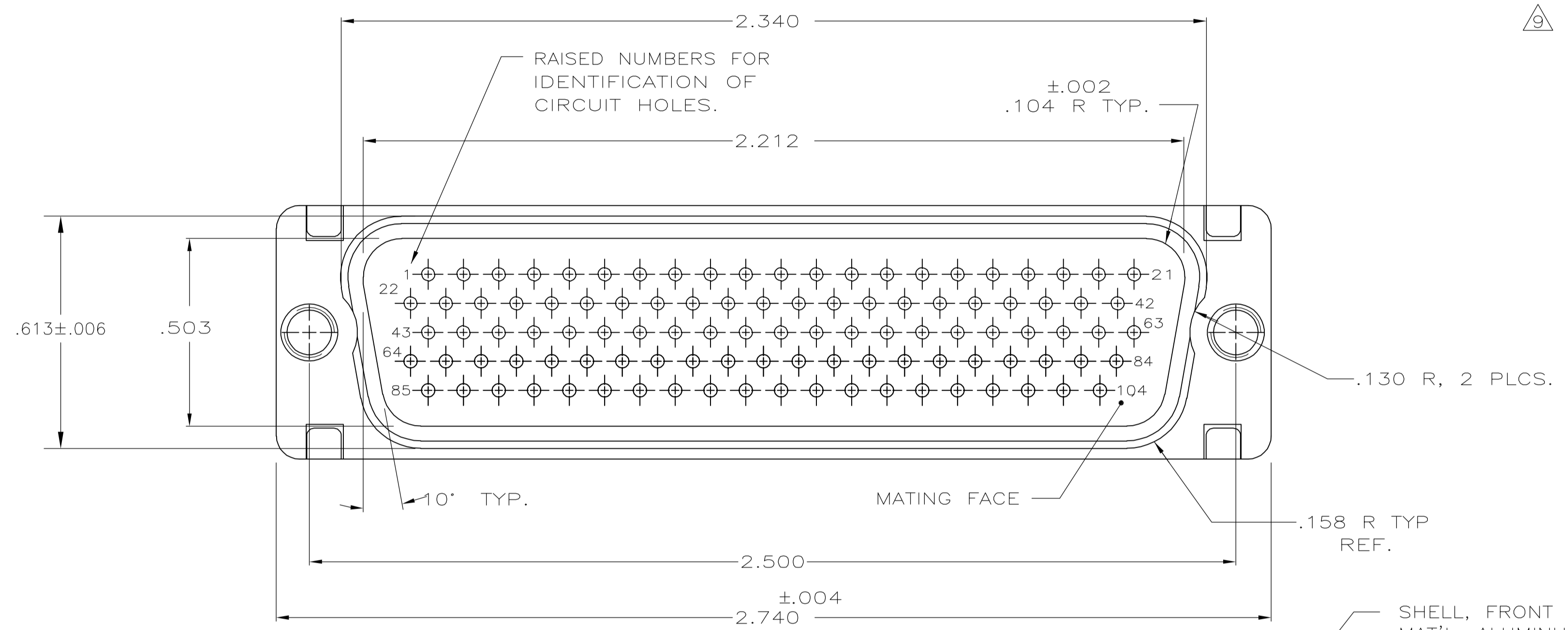


1. THIS PLUG WILL MATE WITH ANY 104 POSN., SIZE 6 RECEPTACLE IN AMPLIMITE SERIES.
  2. SST RETENTION CLIPS ARE INCLUDED IN INSERTS.
  3. THIS PLUG IS DESIGNED TO CONFORM TO THE LATEST ISSUE OF MIL-C-24308.
  4. REPLACEMENT CONTACT P/N 1-207683-2
  5. TO INSTALL OR REMOVE CONTACTS USE INSERTION/EXTRACTION TOOL P/N 91067-1 OR MIL NUMBER M81969/1-04.
- 6 AS SHOWN EXCEPT WITH .120 DIAMETER MOUNTING HOLES IN PLACE OF CLINCH NUTS  
 7 SOLDER DIP PER MIL-STD-2000 COMPOSITION Sn63 CONFORMING TO QQ-S-571. COVERAGE SHALL BE COMPLETE TO A DISTANCE OF .030 MAX. FROM REAR INSERT.  
 8 DIMENSION APPLIES PRIOR TO SOLDER DIPPING. ALLOW ADDITIONAL .030 POST PROJECTION AFTER SOLDER DIPPING.  
 9 CLINCH NUT PROVIDED ON 213045-1 ONLY.



PIN CONTACT, POSTED SIZE 22, .025 DIA POST, 104 REQ'D  
 BODY MAT'L: LEADED NICKEL COPPER (PROPRIETARY)  
 ALTERNATE MAT'L: COPPER ALLOY PER ASTM-B-197  
 FINISH: GOLD PLATED PER MIL-G-45204  
 OVER NICKEL PER QQ-N-290

INSERT ASSEMBLY  
 MAT'L: DIALYL PHTHALATE PER MIL-M-14, CLASS SDG-F  
 COLOR: BLUE  
 OR POLYPHENYLENE SULFIDE (PPS) PER MIL-M-24519, TYPE GST-40F.

SHELL, REAR  
 MAT'L: STEEL, CLASS G  
 FINISH: CADIUM PLATED PER QQ-P-416, YELLOW CHROMATE

SHELL, FRONT  
 MAT'L: ALUMINUM ALLOY PER ASTM-B-85 OR ASTM-B-221 OR ASTM-B-211  
 FINISH: CADIUM PLATED PER QQ-P-416, YELLOW CHROMATE

AS SHOWN	213045-2
DESCRIPTION	PART NO

THIS DRAWING IS A CONTROLLED DOCUMENT.		DIN	J.A. Baker	05-08-95	Tyco Electronics Corporation Harrisburg, PA 17105-3608
DIMENSIONS: INCHES		CHK	F. KINSEY	05-08-95	
TOLERANCES UNLESS OTHERWISE SPECIFIED:		APVD	F. KINSEY	05-08-95	NAME F. KINSEY
0 PLC	± .005	PRODUCT SPEC	F. KINSEY	APPLICATION SPEC	
1 PLC	± .005	SIZE	A1	00779	213045
2 PLC	± .005	WEIGHT			
3 PLC	± .005	CUSTOMER DRAWING			
4 PLC	± .005	SCALE	1:1	SHEET	1 of 1
ANGLES	± 0° 30'	REV			
MATERIAL					
FINISH					