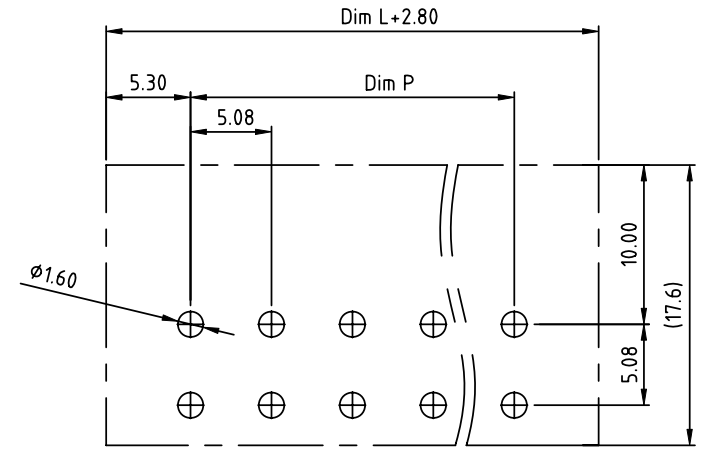
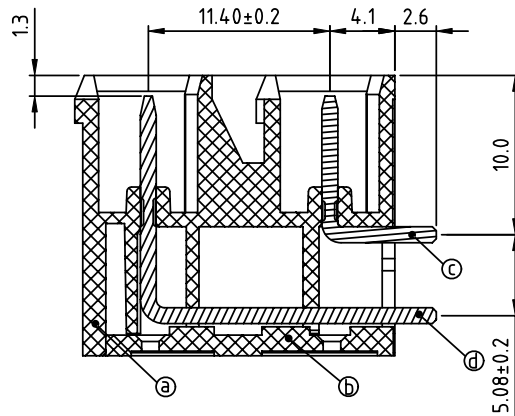
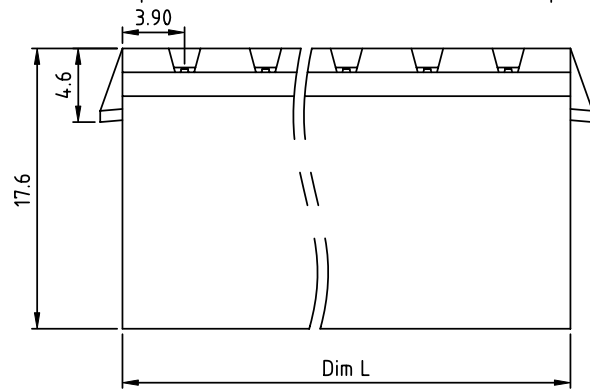
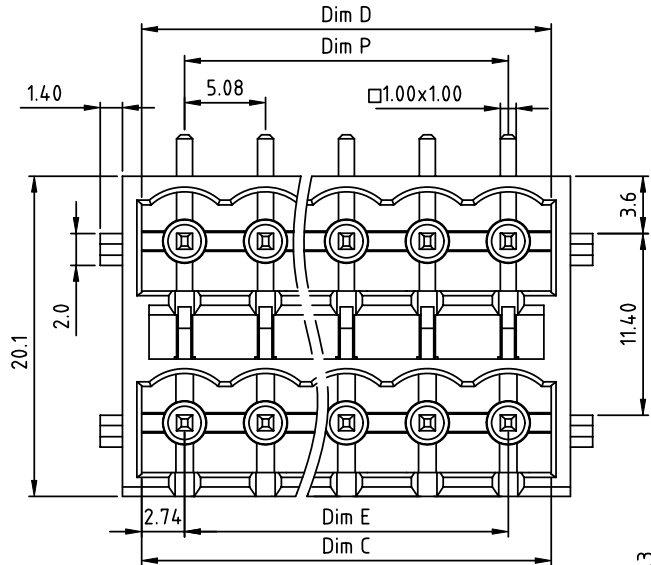


PRODUCT NUMBER	PITCH
KExx53x300J0G	5.08 mm



RECOMMENDED P.C.B LAYOUT
TOP VIEW

Material:

- Item ① Terminal(housing): Thermoplastic (UL94V-0)
- Item ② Terminal(cover): Thermoplastic (UL94V-0)
- Item ③ Short pin: Copper Tin plated
- Item ④ Long pin: Copper Tin plated

Electrical:

- Voltage rating: 300V
- Current rating: 12A
- Withstanding Voltage: 1.6KV
- Operating temperature: -40°C to +115°C
- Soldering temperature: 260°C±5°C/5 Sec
- Safety Approval: cULus

PART NO.: KE xx 5 3 x 3 00J0 G

N = Number of poles Dim C=(N/2-1)x5.08+5.48
 Dim L=N/2x5.08+2.72 Dim D=(N/2-1)x5.08+5.48
 Dim P=(N/2-1)x5.08 Dim E=(N/2-1)x5.08

Poles	Dim L	Dim P	Dim C	Dim D	Dim E
2x2P-2x6P	±0.15	±0.15	+0.05/-0.05	+0.05/-0.05	±0.15
2x7P-2x12P	±0.25	±0.25	+0.10/-0.05	+0.10/-0.05	±0.25
2x13P-2x18P	±0.35	±0.35	+0.20/-0.05	+0.20/-0.05	±0.35
2x19P-2x24P	±0.40	±0.40	+0.25/-0.10	+0.25/-0.10	±0.40

	Color	RoHS compliant (lead<4%) In copper Alloy
Solid block	0 Black (RAL9005)	
No. of poles	2 Red (RAL3001/D)	
04 2x2poles	3 Orange(RAL2011/P)	
06 2x3poles	4 Yellow(RAL1018/A)	
...	5 Green(RAL6018/T)	
48 2x24poles	6 Blue (RAL5015/A)	
	8 Grey(RAL7035/D)	
	9 White(RAL1102)	
	C Green(RAL6018/U)	

mat'l. code		surface ASME Y14.5	tolerance ASME Y14.5	projection	product family
ltr	ecn no	dr	date	ASME Y14.5 tolerances unless otherwise specified	TERMINAL BLOCK
				angles	title
				MM	TERMINAL BLOCK
				X°±1°	PLUGGABLE SOCKET,RIGHT ANGLE,W/LATCH HOLDER
				scale	dwg no
					sheet 1 of 1 size
				dr	KExx53x300J0G
				enrg	A4
				chr	type
				appd	CUSTOMER Drawing
sheet index	revision	A			
	sheet	1			