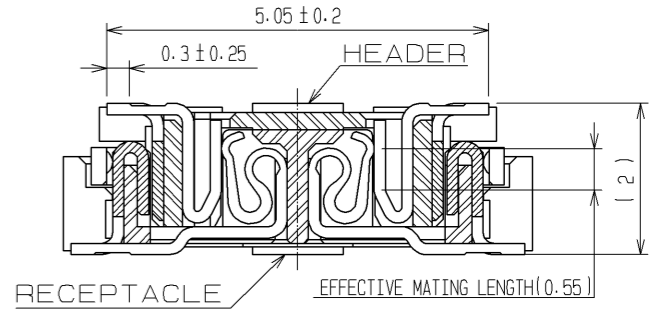
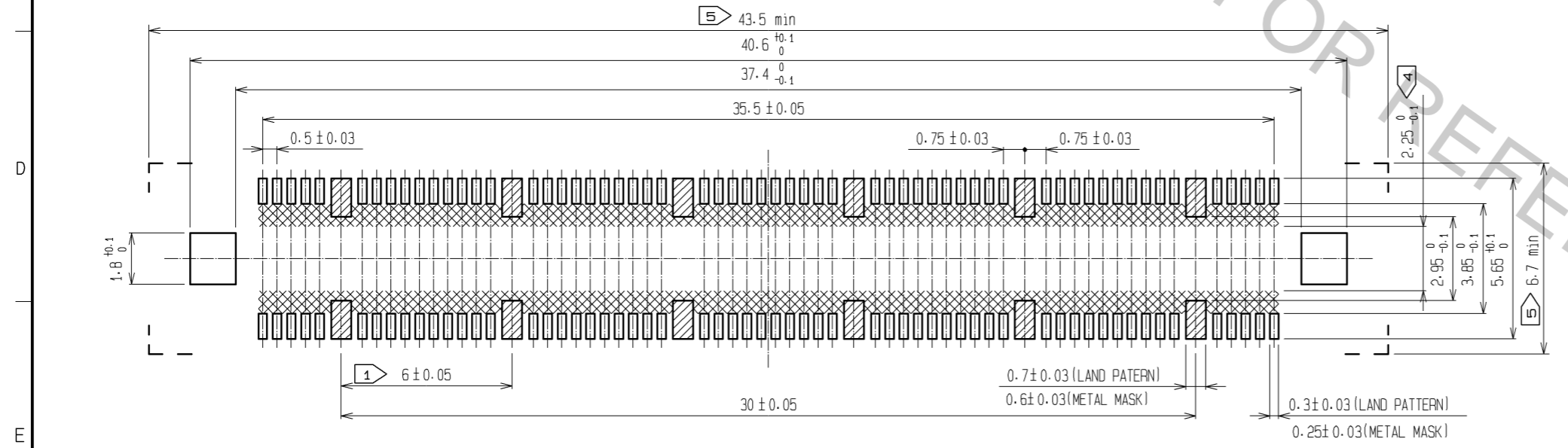


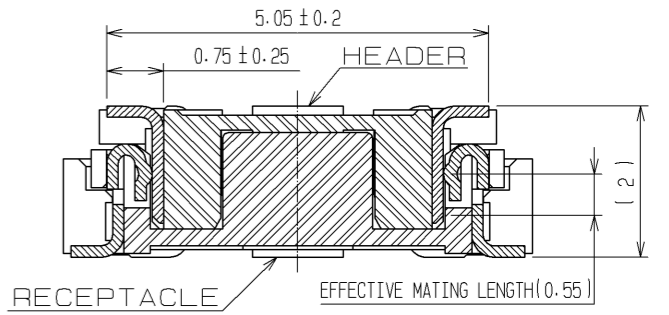
SIGNAL PORTION CROSS SECTION (10 : 1)



RECOMMENDED LAND PATTERN DIMENSION OF PCB



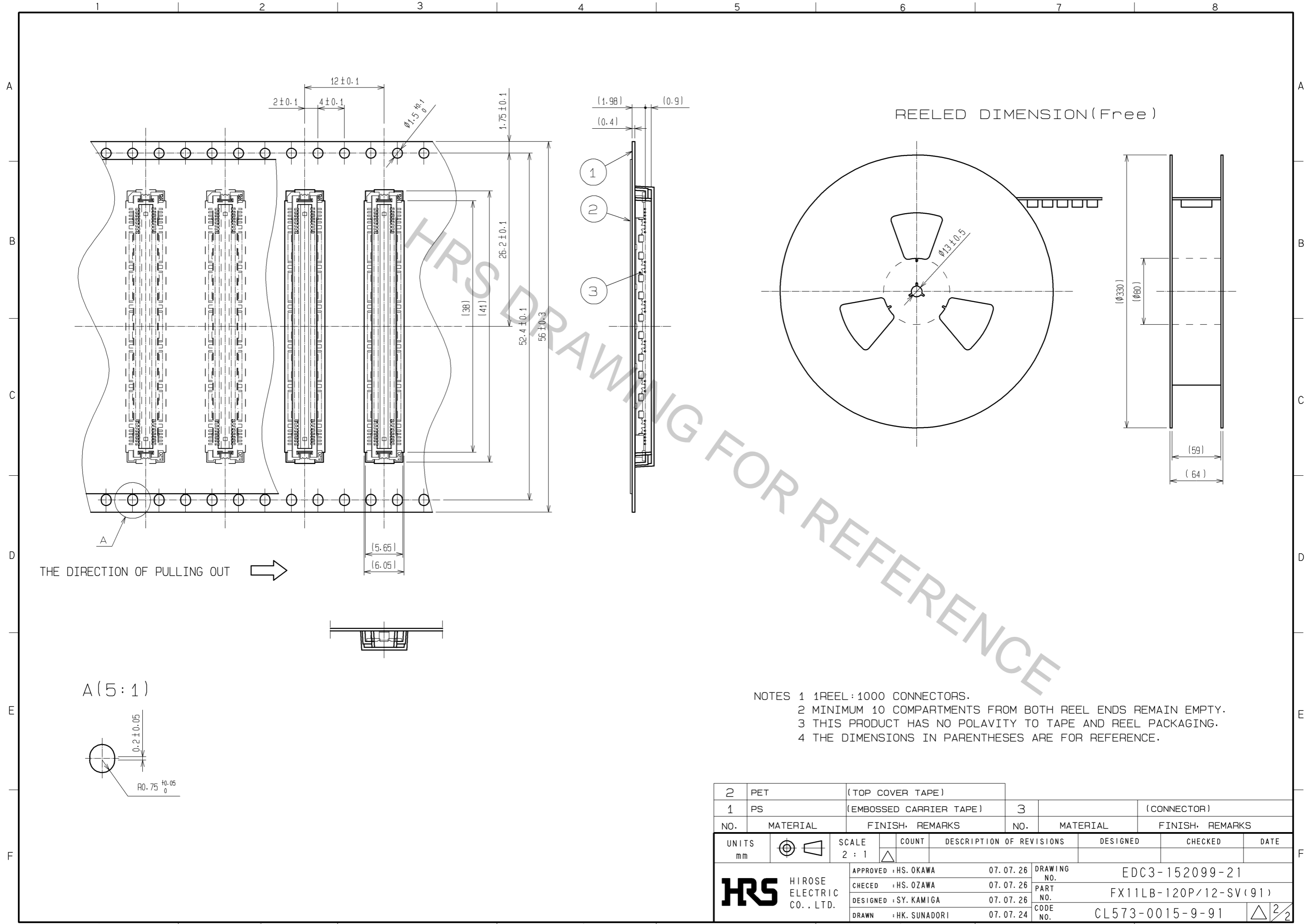
GROUND PORTION CROSS SECTION (10 : 1)



- NOTES
- ① 12 HATCHED PARTS: GROUND CIRCUIT.
 - ② SMT LEAD-COPLANARITY: 0.1 MAX.
 - ③ THIS PRODUCT HAS NO POLARITY TO PATTERN FOR MOUNTING.
 - ④ MAKE SURE WIDTH OF PATTERN IS WITHIN THAT OF LAND, OR LEAD MAY TOUCH PATTERN. (THIS APPLIES TO HATCHED AREA.)
 - ⑤ DO NOT MOUNT OTHER DEVICES ONTO AREA, OR MATING PAIR CANNOT BE MATED.
 - ⑥ TO BE EMBOSSED CARRIER TAPED AS SPECIFIED IN SHEET 2.
 - ⑦ THE DIMENSIONS IN PARENTHESES ARE FOR REFERENCE.

| | | | | | | |
|-----|----------|--------|---------|-----|-----------------|---|
| 1 | LCP | BEIGE | UL94V-0 | 4 | PHOSPHOR BRONZE | TIN PLATING |
| NO. | MATERIAL | FINISH | REMARKS | NO. | MATERIAL | FINISH |
| | | | | 3 | PHOSPHOR BRONZE | TIN PLATING |
| | | | | 2 | COPPER ALLOY | CONTACT AREA : GOLD 0.1μm min. LEAD AREA : GOLD FLASH UNDER PLATING : NICKEL 1μm min. |

| | | | | | | | |
|-----------------------|--|-------|-------|--------------------------|--------------------------------|---------|------|
| UNITS | | SCALE | COUNT | DESCRIPTION OF REVISIONS | DESIGNED | CHECKED | DATE |
| mm | | 5 : 1 | △ | | | | |
| APPROVED : HS. OKAWA | | | | 07.07.26 | DRAWING NO. EDC3-152099-21 | | |
| CHECKED : HS. OZAWA | | | | 07.07.26 | PART NO. FX11LB-120P/12-SV(91) | | |
| DESIGNED : SY. KAMIGA | | | | 07.07.26 | CODE NO. CL573-0015-9-91 | | |
| DRAWN : HK. SUNADORI | | | | 07.07.24 | 1/2 | | |



REELED DIMENSION(Free)

THE DIRECTION OF PULLING OUT →

A(5:1)

- NOTES 1 1 REEL : 1000 CONNECTORS.
 2 MINIMUM 10 COMPARTMENTS FROM BOTH REEL ENDS REMAIN EMPTY.
 3 THIS PRODUCT HAS NO POLAVITY TO TAPE AND REEL PACKAGING.
 4 THE DIMENSIONS IN PARENTHESES ARE FOR REFERENCE.

| | | | | | | | |
|--------------------------------------|----------|------------------------|----------|--------------------------------|-----------------|---------|------|
| 2 | PET | (TOP COVER TAPE) | | | | | |
| 1 | PS | (EMBOSSD CARRIER TAPE) | 3 | | (CONNECTOR) | | |
| NO. | MATERIAL | FINISH, REMARKS | NO. | MATERIAL | FINISH, REMARKS | | |
| UNITS | ⊕ | SCALE | COUNT | DESCRIPTION OF REVISIONS | DESIGNED | CHECKED | DATE |
| mm | | 2 : 1 | △ | | | | |
| HRS HIROSE ELECTRIC CO., LTD. | | APPROVED : HS. OKAWA | 07.07.26 | DRAWING NO. EDC3-152099-21 | | | |
| | | CHECED : HS. OZAWA | 07.07.26 | PART NO. FX11LB-120P/12-SV(91) | | | |
| | | DESIGNED : SY. KAMIGA | 07.07.26 | CODE NO. CL573-0015-9-91 | | | |
| | | DRAWN : HK. SUNADORI | 07.07.24 | | | △ 2/2 | |