

SAFETY ORGANIZATIONS

THIS FILTER HAS BEEN FORMALLY RECOGNIZED, CERTIFIED OR APPROVED BY THE LISTED AGENCY. THEREFORE, ALL TEST/REQUIREMENTS SPECIFIED IN THE LATEST REVISION OF THE FOLLOWING AGENCY STANDARDS HAVE BEEN MET:

UL RECOGNIZED: UL 1283
 CSA CERTIFIED: CSA C22.2 No. 8
 VDE APPROVED: EN 60939-2

OPERATING SPECIFICATIONS

LINE CURRENT/VOLTAGE: 55 AMP 277 VAC LINE TO GROUND AND 480VAC PHASE TO PHASE

LINE FREQUENCY: 50-60Hz

MAXIMUM LEAKAGE CURRENT, EACH LINE TO GROUND: 8.7 mA @ 277VAC 50 HZ

OPERATING AMBIENT TEMP. RANGE: -10°C TO +50°C @ RATED CURRENT, I_r.

IN AN AMBIENT, T_a, HIGHER THAN 50°C, THE MAXIMUM OPERATING CURRENT, I_o, IS AS FOLLOWS:

$$I_o = I_r \sqrt{\frac{100 - T_a}{50}}$$

RELIABILITY SPECIFICATIONS:

STORAGE TEMPERATURE: -40°C TO +85°C
 HUMIDITY: 21 DAYS @ 50°C 95% RH.
 CURRENT OVERLOAD TEST: 6 TIMES I_r FOR 8 SECONDS

TEST SPECIFICATIONS:

INDUCTANCE: 1.80 mH NOMINAL
 CAPACITANCE: (MEASURED @ 1KHz, 0.250VAC MAX., 25°C±1°C)
 LINE TO GROUND: 0.1 μF±20%
 LINE TO LINE: 6.65 μF±20%
 DISCHARGE RESISTOR: 1.5 / .66 MΩ L/G AND L/L I.R.
 NO DISCHARGE RESISTOR: 6000MΩ (MIN.) 100VDC, 20°C AND 50% RH@

CUSTOMER DRAWING

CATALOG # 55BCF6R

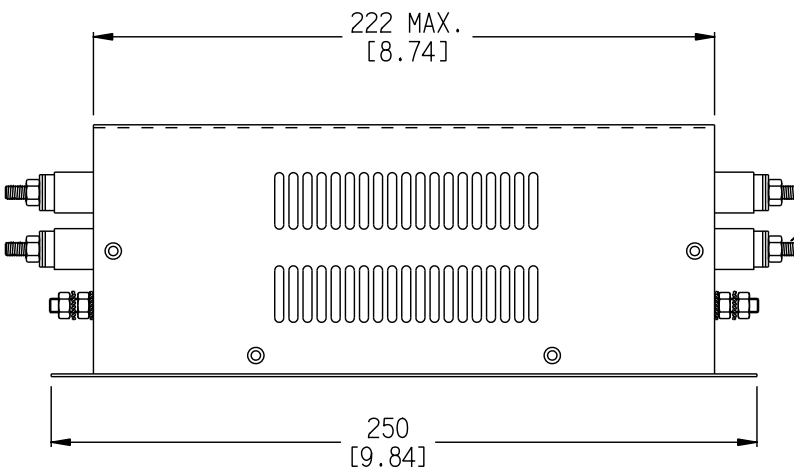
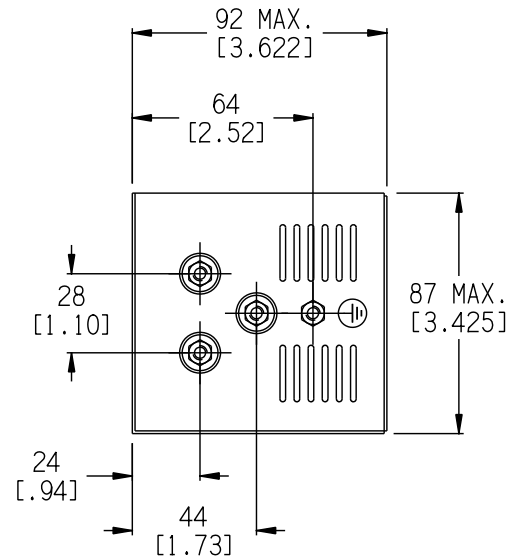
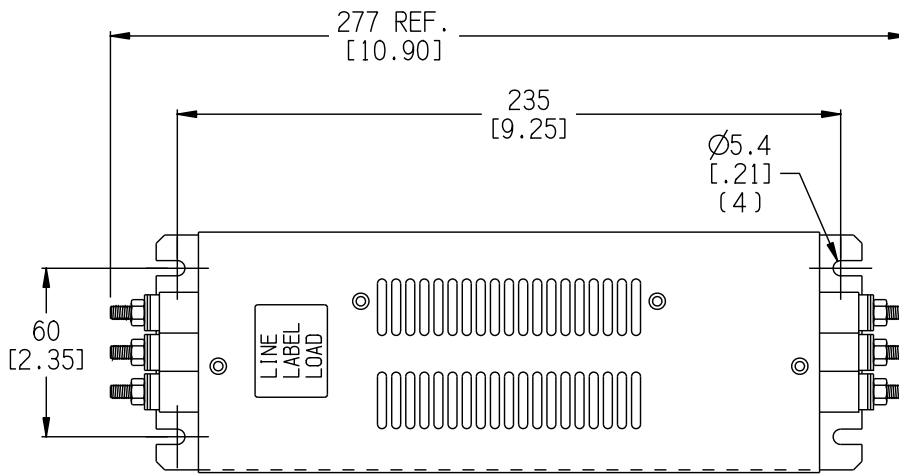
ECN#	APPRVD	DATE
15-015324	HS	200CT15

RECOMMENDED RECEIVING INSPECTION HIPOT:

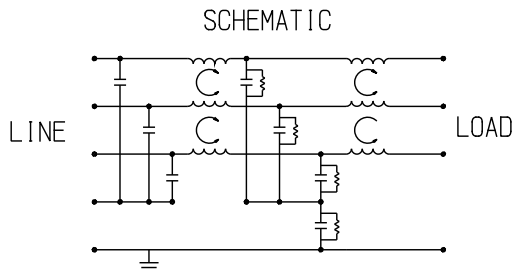
LINE TO GROUND: 1850 VDC FOR 1 MINUTE
 LINE TO LINE: 1850 VDC FOR 1 MINUTE

FILTER APPROVAL:

THE BEST WAY TO SELECT AND QUALIFY A FILTER IS FOR YOUR ENGINEERING TO TEST THE UNIT IN YOUR EQUIPMENT.



M5 STUDS (8)
 TORQUE TO 2.6 Nm / 23 IN-LB MAX.



NOTES:
 1.) INSULATED TERMINALS ARE RECOMMENDED FOR WIRING TO THE FILTER

50Ω - 50Ω (TYPICAL) INSERTION LOSS

FREQUENCY MHz	.01	.03	.05	.10	.15	.30	.50	1.0	3.0	5.0	10	30
COMMON dB	2	12	20	32	41	55	54	58	55	42	29	14
DIFF. dB	27	35	35	51	68	87	83	71	61	58	54	31

PARTS SHALL COMPLY WITH TYCO ELECTRONICS 138-702 SPECIFICATION FOR HAZARDOUS SUBSTANCES

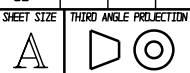
UNLESS OTHERWISE SPECIFIED
 TOLERANCE TO BE ±0.64 [±0.025]
 MATERIAL & FINISH: AS SUPPLIED
 DIMENSIONS IN MM [INCHES]

NOTES:



CUSTOMER DRAWING

TE PART NO.: 3-1609989-4			
SCALE: NTS	DATE: 30OCT15	DRAWING NUMBER: 55BCF6R	
DRW. BY: HS	DRIG: HS	REV. A	



THIS INFORMATION IS CONFIDENTIAL AND PROPRIETARY TO TYCO ELECTRONICS CORPORATION AND ITS WORLDWIDE SUBSIDIARIES AND AFFILIATES. IT MAY NOT BE DISCLOSED TO ANYONE OTHER THAN TYCO ELECTRONICS PERSONNEL, WITHOUT WRITTEN AUTHORIZATION FROM TYCO ELECTRONICS CORPORATION. (www.TE.com)