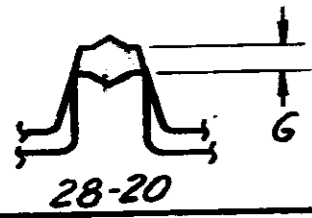


INACTIVE  
11/8/77

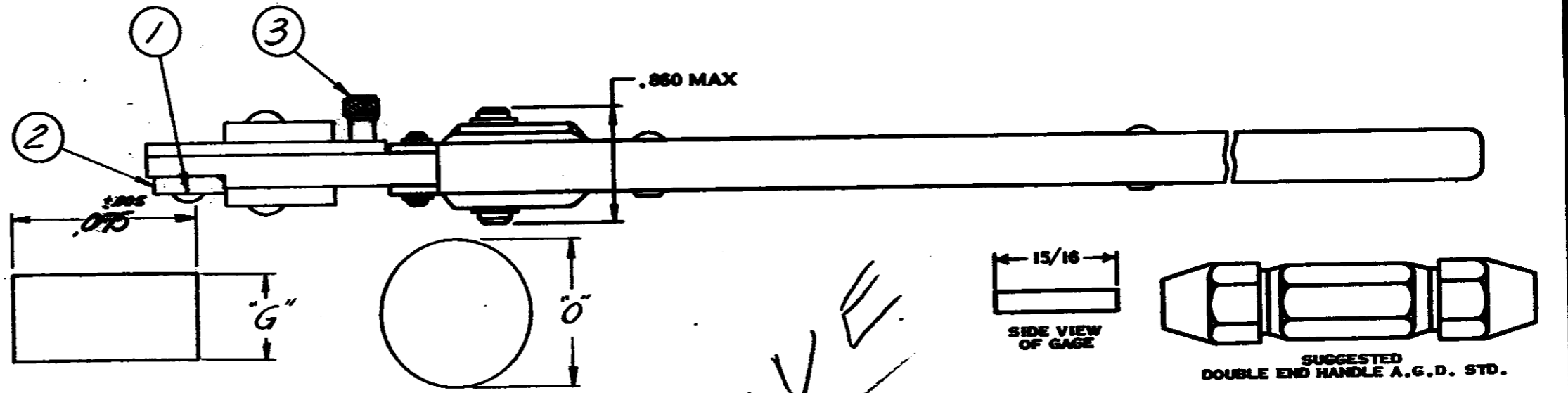
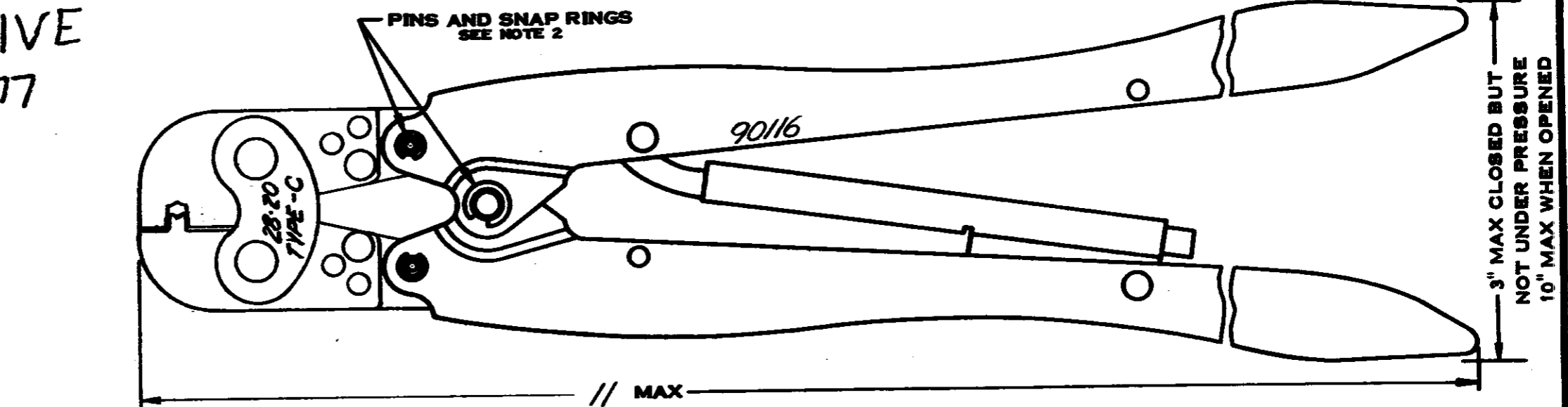
WIRE CRIMP				TERMINAL CRIMP HEIGHT
CRIMP SYMBOL	DIM	GO	NO GO	
28-20	0	0295	0425	0446 0414



INSULATION CRIMP				TERMINAL CRIMP HEIGHT
CRIMP SYMBOL	DIM	GO	NO GO	
28-20	G	0290	0570	+H -H

SEE NOTE #6

INACTIVE,  
REFER TO  
IS SHEET "7183"  
11/8/77



INSULATION CRIMP  
CRIMP SYMBOL 28-20

WIRE CRIMP  
CRIMP SYMBOL 28-20

ENLARGED END VIEW OF GAGES

SEE I.S. - 7183

INACTIVE

SUGGESTED GAGE DESIGN

NO	REVISION	DATE	BY	CHK	DATE
A	INACTIVE RE. EDN	HT-414	S-E	SS	4/8/77
LTR	REVISION RECORD		DR	CHK	DATE

NUMBER  
90116

NO	NUMBER	NAME	ITEM NO.
2	39207	ADJUSTMENT PIN	3
1	125083-6	LOCATOR	2
1	3-21016-6	SCREW	1

© 1965 BY AMP INCORPORATED. ALL RIGHTS RESERVED.  
AMP PRODUCTS COVERED BY PATENTS AND/OR PATENTS PENDING.

CUSTOMER COPY  
REFERENCE ONLY

MATERIAL-STEEL  
FINISH-BLACK OXIDE  
WEIGHT-1 LBS. 3 OZ.  
WIRE - RANGE - INSULATION TYPE

TOLERANCE EXCEPT AS NOTED  
SCALE -#  
LOC R B NO 90116 DIV A

DOUBLE ACTION HAND TOOL

DATE 1/27/65  
DATE 1/27/65  
DATE 1/27/65

DIMENSIONS IN INCHES DO NOT SCALE PRINT