

NOTES:
1. MATERIALS AND FINISHES:

- BODY, R. RING, BODY REAR AND HEX NUTS - BRASS, NICKEL PLATING.
- CONTACTS - BERYLLIUM COPPER & BRASS, GOLD PLATING.
- CRIMP FERRULE - ANNEALED COPPER, NICKEL PLATING.
- INSULATOR - PTFE, NATURAL
- O-RING - SILICONE RUBBER, RED
- O-RING - NBR, BLACK

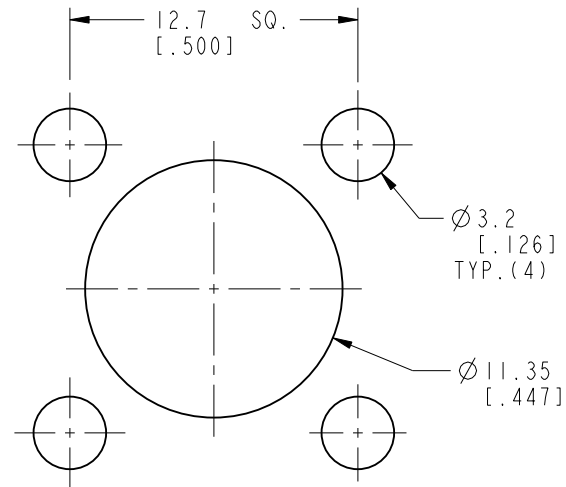
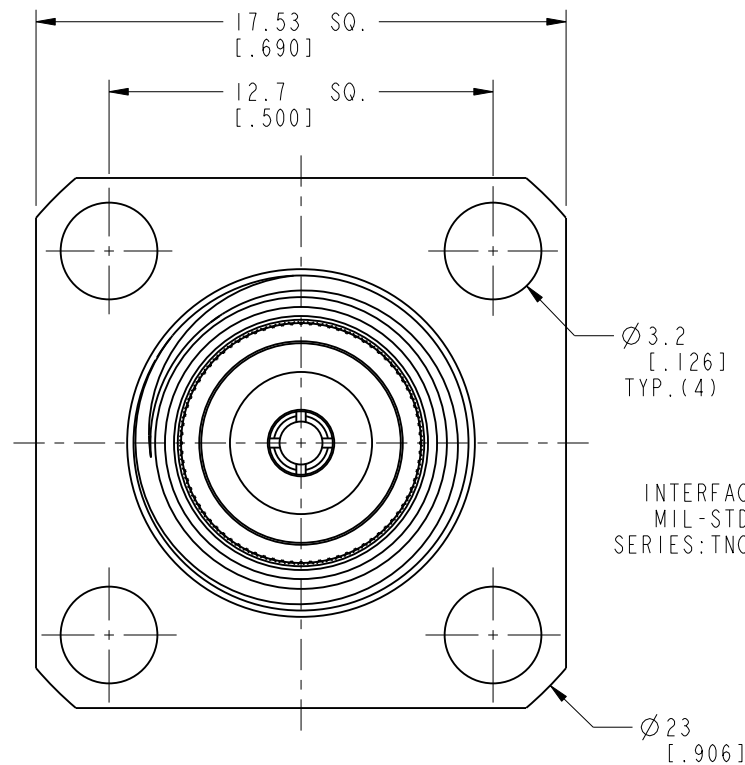
2. ELECTRICAL:
A. IMPEDANCE: 50 OHM.
B. FREQUENCY RANGE = DC TO 2.0 GHz

3. MECHANICAL:
A. CONNECTOR IS IP-67 COMPLIANT.

4. CABLE ASSEMBLY INSTRUCTIONS:
A. TRIM CABLE AS SHOWN
B. SLIDE FERRULE & BACK NUT ONTO CABLE
C. CRIMP FERRULE USING A .151 HEX DIE
D. CRIMP OR SOLDER BULLET CONTACT TO CABLE CENTER CONDUCTOR
E. INSERT CABLE WITH BULLET CONTACT INTO BODY
F. APPLY THREAD LOCKING ADHESIVE ON THE THREADS OF THE BACK NUT
G. TORQUE BACK NUT DOWN TO 15 IN-LB

5. PACKAGING:
A. QUANTITY: SINGLE PACK
B. MARKING: BAG TO BE MARKED
"AMPHENOL RF, 31-6430, AND DATE CODE"

6. SHOWS CABLE ENTRY DIMENSIONS

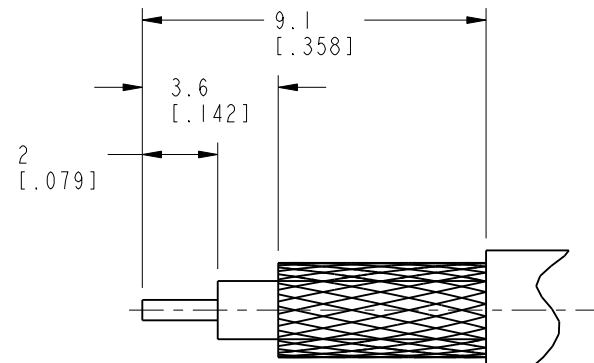


SCALE 3.000
RECOMMENDED MOUNTING HOLE DIMENSIONS

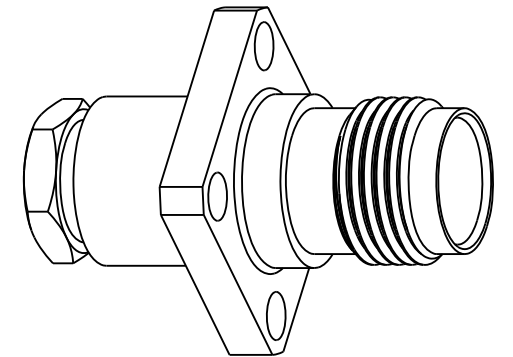
THIRD ANGLE PROJ.

REVISIONS

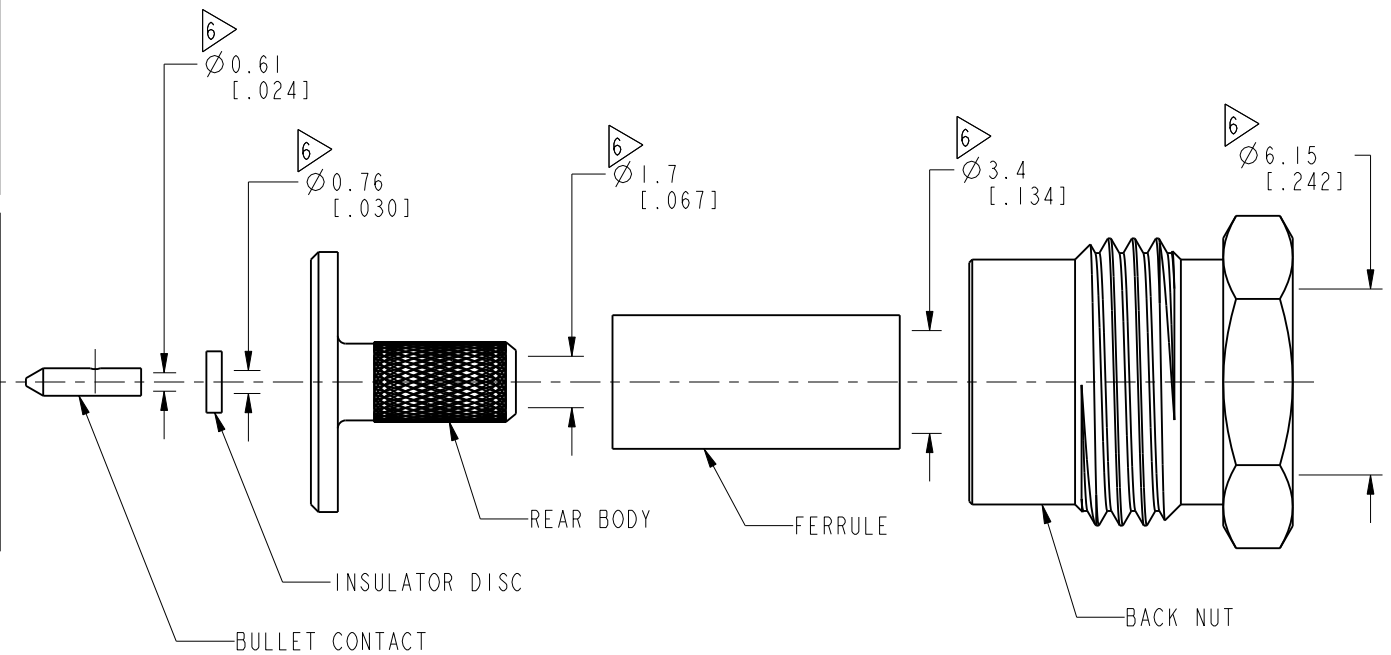
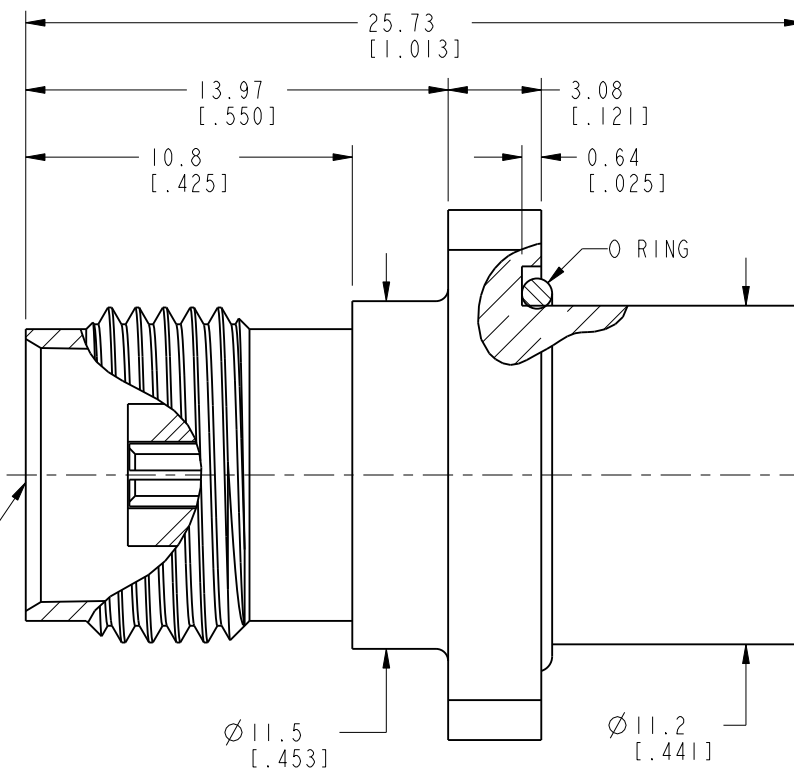
REV	DESCRIPTION	DATE	ECO	APPR
A	RELEASE TO MFG	26-Apr-11	48536	TD



RECOMMENDED CABLE STRIPPING DIMENSIONS



SCALE 2.000



CUSTOMER OUTLINE DRAWING
ALL OTHER SHEETS ARE FOR INTERNAL USE ONLY

UNLESS OTHERWISE SPECIFIED, DIMENSIONS ARE IN METRIC AND TOLERANCES ARE:
<0.5mm ±0.05mm 0.5 - 6mm ±0.1mm 6 - 30mm ±0.2mm 30 - 120mm ±0.3mm ANGLES ±1°

NOTICE - These drawings, specifications, or other data (1) are, and remain the property of Amphenol corp. (2) must be returned upon request; and (3) are confidential and not to be disclosed to any person other than those to whom they are given by Amphenol Corp. the finishing of these drawings, specifications, or other data by Amphenol Corp., or to any other person for any purpose is not to be regarded by implication or otherwise in any manner licensing, granting rights to permitting such holder or any other person to manufacture, use or sell any product, process or design, patented or otherwise, that may in any way be related to or disclosed by said drawings, specifications, or other data.

MATERIAL SEE NOTES	DRAWN T. DENG	DATE 26-Apr-11	TITLE TNC JACK 4 HOLE FLANGE IP 67 FOR RD 316 CABLE		Amphenol RF Danbury CT USA, Tainan, Taiwan, Shenzhen, China www.amphenolrf.com
REFERENCE EAR # 3722	ENGINEER NISCHIT MV	DATE 29-Sep-09	SCALE: 4.0:1.0 SHEET 2 OF 2		
CONFIGURATION LEVEL:	APPROVED S. HSIEH	DATE 27-Apr-11	DWG SIZE B	REV A	DRAWING NO. 31-6430
FINISH	Root Folder/31-6430				ITEM NO. 31-6430 PART NO. 31-6430