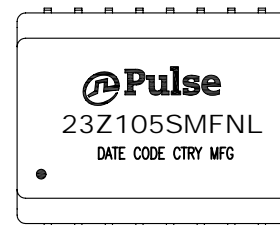


NOTES:

1. ROHS COMPLIANT
2. HEADER: PHENOLIC WITH FLAMMABILITY RATING UL 94V-0 OR BETTER.
3. STORAGE TEMPERATURE: -20°C TO +125°C
4. COMPLIANCE TO J-STD:
 - A. J-STD-002: SOLDERABILITY AT 245°C REFLOW PROFILE
 - B. J-STD-020: LEVEL 1, NO MOISTURE SENSITIVE
 - C. J-STD-075: R7, 245°C MAXIMUM THROUGH REFLOW SOLDER
5. TO ORDER TAPE & REEL PACKAGING ADD A "T" SUFFIX TO THE PART NUMBER(i.e 23Z105SMFNL BECOMES 23Z105SMFNLT).

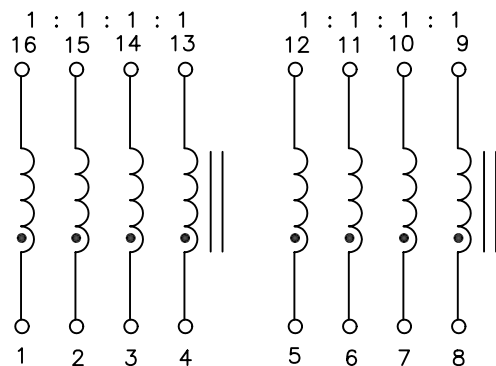


FINAL OUTLINE

© Copyright, 2014. Pulse Electronics Corp. All rights reserved. Pulse confidential & proprietary. (06/11/14)

PRODUCT DESCRIPTION	TLA DRAWING	PS DRAWING	SHEET	PART NO.	DATASHEET REV.
CHK,SIN,10D,1:1,SM,TU	23Z105SMFNL-10	PS-2755.001-A	1 OF 3	23Z105SMFNL	A

ELECTRICAL CHARACTERISTICS AT +25°C UNLESS OTHER SPECIFIED

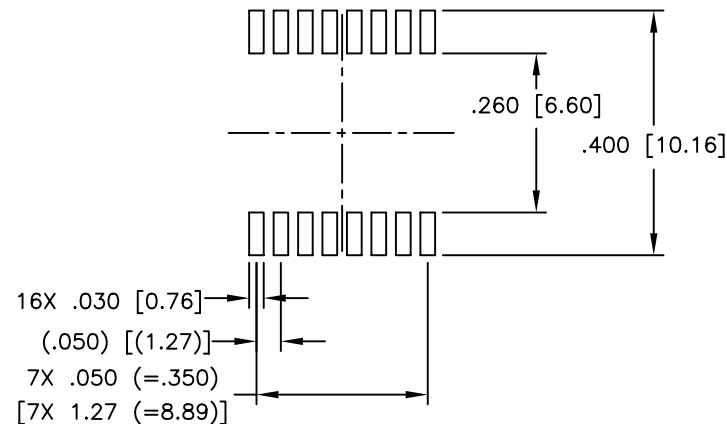
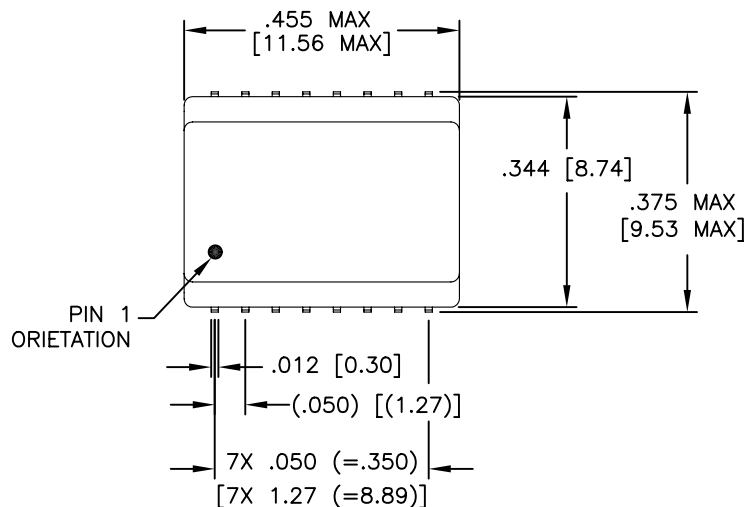


SCHEMATIC

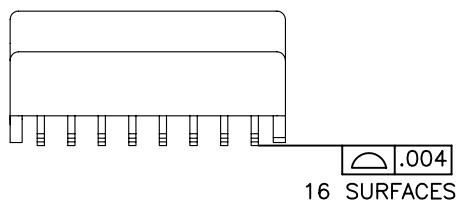
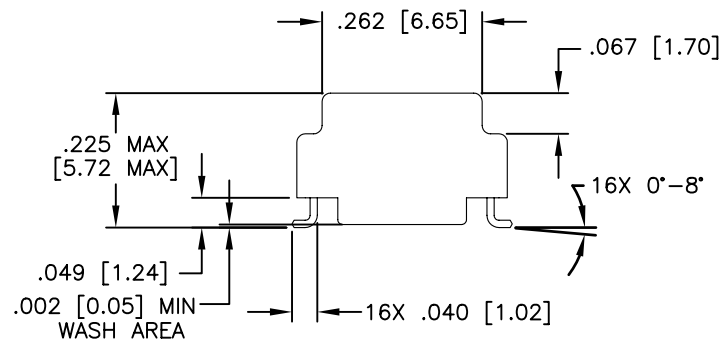
PARAMETER	SPECIFICATIONS		
OPERATING TEMPERATURE	0°C – 70 °C		
POLARITY	PER SCHEMATIC		
URNS RATIO	(1-16):(2-15):(3-14):(4-13)=1 : 1 : 1 : 1 ±5% (5-12):(6-11):(7-10):(8-9)=1 : 1 : 1 : 1 ±5%		
ISOLATION RESISTANCE (IR AT 500 VDC)	10G OHM MIN.		
DC RESISTANCE	0.4 OHMS MAX		
LP	68 uH MIN (MEASURED AT 100 KHz, 20 mVRMS)		
LL	0.25 uH MAX (MEASURED AT 100 KHz, 20 mVRMS)		
BETWEEN CHANNEL ISOLATION	500 VAC MIN @ 60 SECONDS		
IMPEDANCE (1-16)&(8-9)	10-20 MHz	30 MHz	70-100 MHz
	700 OHM MIN	600 OHM MIN	200 OHM MIN

© Copyright, 2014. Pulse Electronics Corp. All rights reserved. Pulse confidential & proprietary. (06/11/14)

PRODUCT DESCRIPTION	TLA DRAWING	PS DRAWING	SHEET	PART NO.	DATASHEET REV.
CHK,SIN,10D,1:1,SM,TU	23Z105SMFNL-10	PS-2755.001-A	2 OF 3	23Z105SMFNL	A



SUGGESTED LAND PATTERN



DIMENSIONS ARE IN INCHES [MILLIMETERS] WITH THE FOLLOWING TOLERANCES: [MILLIMETERS] ARE FOR REFERENCE ONLY.
 .XX= ±.01 [±0.25]
 .XXX= ±.005 [±0.13]

© Copyright, 2014. Pulse Electronics Corp. All rights reserved. Pulse confidential & proprietary. (06/11/14)

PRODUCT DESCRIPTION	TLA DRAWING	PS DRAWING	SHEET	PART NO.	DATASHEET REV.
CHK,SIN,10D,1:1,SM,TU	23Z105SMFNL-10	PS-2755.001-A	3 OF 3	23Z105SMFNL	A