

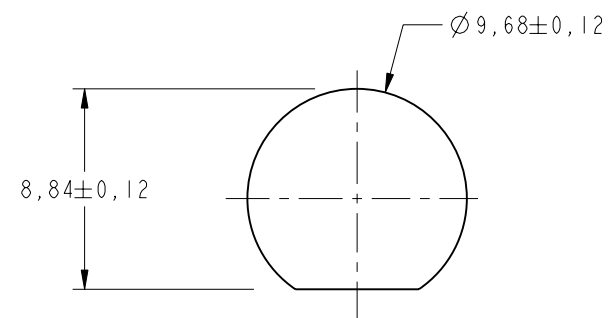
NOTES:

1. MATERIALS AND FINISHES:
 BODY - BRASS, NICKEL PLATING(.00008 THICK MIN.)
 CONTACT - BERYLLIUM COPPER, GOLD PLATING(.00003 THICK MIN.)
 INSULATOR - PTFE
2. ELECTRICAL:
 A. IMPEDANCE: 50 OHM
 B. FREQUENCY RANGE: DC - 3 GHz
3. MECHANICAL:
 A. DURABILITY: TNC, 500 CYCLES MIN.
 AMC, 30 CYCLES MIN.
 B. TEMPERATURE RANGE: -40° C TO 90° C
4. PACKAGING:
 A. QUANTITY: SINGLE PACK
 B. MARKING: BAG TO BE MARKED
 "AMPHENOL, 31-6208, AND DATE CODE"

THIRD ANGLE PROJ.

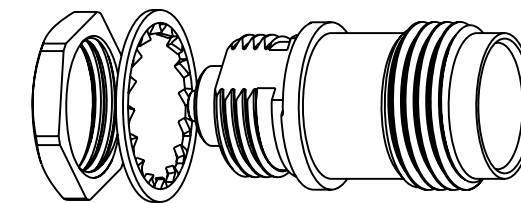
REVISIONS

REV	DESCRIPTION	DATE	ECO	APPR
A	RELEASE TO MFG	3/16/04	44860	GSA
B	TITLE WAS CHANGED	6/15/06	46132	CPM
C	CONTACT WAS CHANGED \RD-DM111013011	20-Oct-11	48821	SH

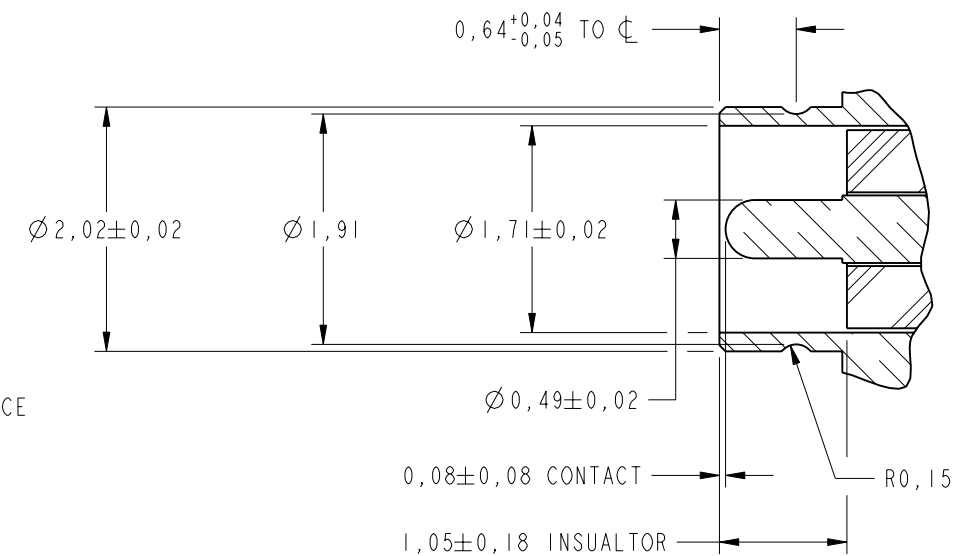
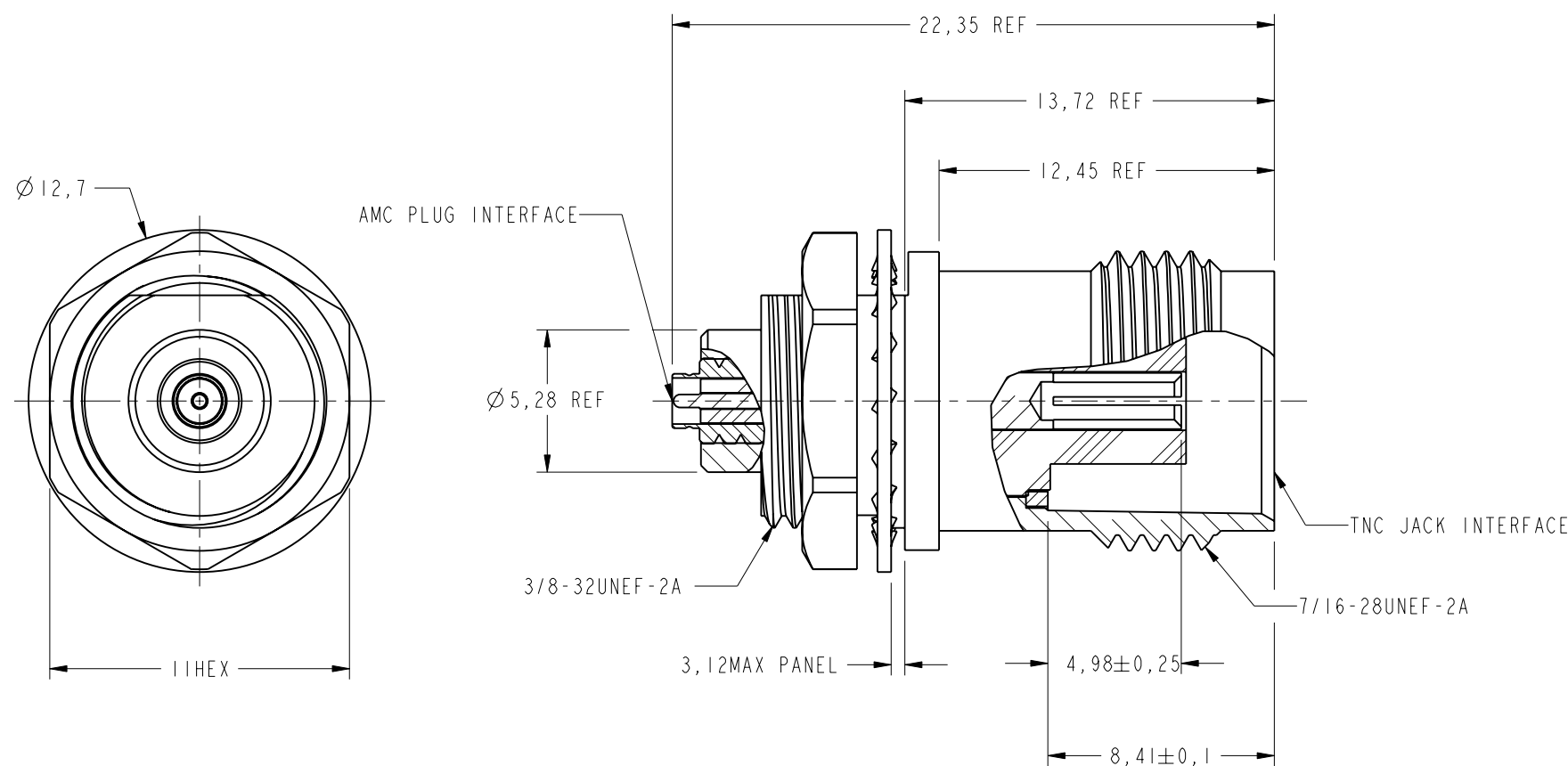


RECOMMENDED MOUNTING HOLE

SCALE 3.000



SCALE 2.000



AMC PLUG INTERFACE DIMENSIONS

CUSTOMER OUTLINE DRAWING

ALL OTHER SHEETS ARE FOR INTERNAL USE ONLY

UNLESS OTHERWISE SPECIFIED, DIMENSIONS ARE IN METRIC AND TOLERANCES ARE: <0.5mm ± 0.05mm 0.5 - 6mm ± 0.1mm 6 - 30mm ± 0.2mm 30 - 120mm ± 0.3mm ANGLES ± 1°	MATERIAL	DRAWN	DATE	TITLE AMC PLUG TO TNC JACK BULKHEAD ADAPTER		Amphenol RF Danbury CT USA, Tainan, Taiwan, Shenzhen, China www.amphenolrf.com
	SEE NOTES	I.XU	14-Oct-11			
NOTICE - These drawings, specifications, or other data (1) are, and remain the property of Amphenol corp. (2) must be returned upon request; and (3) are confidential and not to be disclosed to any person other than those to whom they are given by Amphenol Corp. the finishing of these drawings, specifications, or other data by Amphenol Corp., or to any other person to anyone for any purpose is not to be regarded by implication or otherwise in any manner licensing, granting rights to permitting such holder or any other sperson to manufacture, use or sell any product, process or design, patented or otherwise, that may in any way be related to or disclosed by said drawings, specifications, or other data.	REFERENCE	ENGINEER	DATE	SCALE: 4.0:1.0 SHEET 2 OF 2		DRAWING NO. 31-6208
	EAR # 1268 AND	G. ANTONINI	2/26/04			
	CONFIGURATION LEVEL: <input type="checkbox"/> <input type="checkbox"/> <input type="checkbox"/>	APPROVED	DATE		DWG SIZE	REV
FINISH	S.HSIEH	17-Oct-11		B	C	PART NO. 31-6208