

**MXK SERIES**

**UPGRADE**

**105°C Ultra Miniaturized**

\*Load Life : 105°C 3000 hours.

RoHS compliance



**◆SPECIFICATIONS**

Items	Characteristics						
Category Temperature Range	-25~+105°C						
Rated Voltage Range	400~450Vdc						
Capacitance Tolerance	±20% (20°C, 120Hz)						
Leakage Current(MAX)	$I=3\sqrt{CV}$ or 5mA whichever is smaller (After 5 minutes application of rated voltage) $I$ =Leakage Current( $\mu$ A) $C$ =Capacitance( $\mu$ F) $V$ =Rated Voltage(Vdc)						
Dissipation Factor(MAX) (tan $\delta$ )	0.2 (20°C, 120Hz)						
Endurance	After applying rated voltage with rated ripple current for 3000 hours at 105°C, the capacitors shall meet the following requirements. <table border="1" style="margin-left: 20px;"> <tr> <td>Capacitance Change</td> <td>Within ±20% of the initial value.</td> </tr> <tr> <td>Dissipation Factor</td> <td>Not more than 200% of the specified value.</td> </tr> <tr> <td>Leakage Current</td> <td>Not more than the specified value.</td> </tr> </table>	Capacitance Change	Within ±20% of the initial value.	Dissipation Factor	Not more than 200% of the specified value.	Leakage Current	Not more than the specified value.
Capacitance Change	Within ±20% of the initial value.						
Dissipation Factor	Not more than 200% of the specified value.						
Leakage Current	Not more than the specified value.						
Low Temperature Stability Impedance Ratio(MAX)	<table border="1" style="margin-left: 20px;"> <tr> <td>Rated Voltage (Vdc)</td> <td>400~450 (120Hz)</td> </tr> <tr> <td>Z(-25°C)/Z(20°C)</td> <td>8</td> </tr> </table>	Rated Voltage (Vdc)	400~450 (120Hz)	Z(-25°C)/Z(20°C)	8		
Rated Voltage (Vdc)	400~450 (120Hz)						
Z(-25°C)/Z(20°C)	8						

**◆MULTIPLIER FOR RIPPLE CURRENT**

Frequency (Hz)	60(50)	120(100)	300	500	1k	10k≤
Coefficient	0.80	1.00	1.15	1.20	1.25	1.40

**◆OPTION**

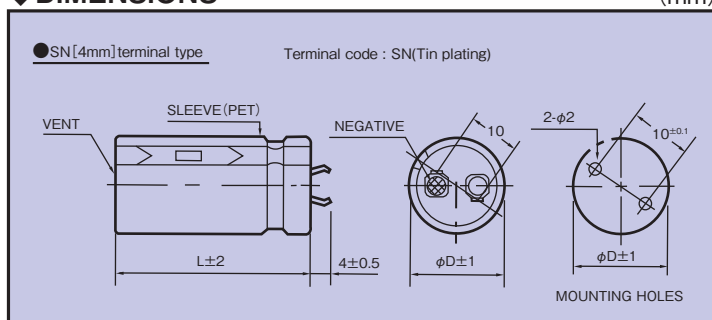
	Code
PET Sleeve without plate	EFC

**◆PART NUMBER**

□□□ / MXK / □□□□□ / M / □□□ / SN / DXL  
 Rated Voltage      Series      Capacitance      Capacitance Tolerance      Option      Terminal Code      Case Size

**◆DIMENSIONS**

(mm)



**◆ STANDARD SIZE**

Cap(μF) φD	400								420								
	φ22		φ25		φ30		φ35		φ22		φ25		φ30		φ35		
120									22×25	0.95							
150	22×25	1.03						22×25	1.02								
							22×30	1.10									
180	22×30	1.19	25×25	1.15				22×30	1.20	25×25	1.16						
							22×35	1.38	25×30			1.35					
220	22×35	1.37	25×30	1.32				22×40	1.57	25×35	1.55	30×25	1.36				
							22×45	1.77	25×35	1.65	30×25	1.39	30×30	1.56	22×50	1.85	25×40
330	22×45	1.77	25×35	1.65	30×25	1.39		22×45	1.72	25×35	1.61	30×30	1.61	35×25	1.45		
					30×30	1.56		22×50	1.85	25×40	1.76	30×35	1.82	35×30	1.66		
390	22×50	1.97	25×40	1.85	30×30	1.65	35×25	1.48	22×55	2.00	25×40	1.80	30×30	1.61	35×25	1.45	
									25×45	1.96	30×35	1.82	35×30	1.66			
470	22×55	2.11	25×45	2.07	30×35	1.89	35×30	1.69	22×60	2.19	25×50	2.18	30×35	1.85	35×30	1.72	
									22×60	2.19	25×50	2.18	30×40	2.04	35×30	1.72	
560			25×55	2.32	30×40	2.12	35×30	1.75			25×55	2.32	30×40	2.07	35×35	1.97	
									25×60	2.43	30×45	2.27	35×35	1.97			
680			25×60	2.56	30×45	2.35	35×35	2.00					30×45	2.29	35×40	2.22	
													30×50	2.50	35×40	2.22	
820					30×50	2.53	35×40	2.21					30×55	2.68	35×45	2.45	
					30×55	2.66	35×45	2.48					30×60	2.79	35×45	2.45	
1000					30×60	2.91	35×50	2.70							35×50	2.64	
															35×55	2.76	
1200							35×55	2.85							35×60	3.03	
							35×60	2.99							35×60	3.03	

Cap(μF) φD	450							
	φ22		φ25		φ30		φ35	
120	22×25	0.95						
150	22×30	1.12	25×25	1.08				
180	22×30	1.17	25×25	1.14				
	22×35	1.27	25×30	1.24				
220	22×35	1.34	25×30	1.34	30×25	1.29		
	22×40	1.45						
270	22×40	1.53	25×35	1.54	30×25	1.34		
	22×45	1.65			30×30	1.49		
330	22×50	1.81	25×40	1.72	30×30	1.58	35×25	1.42
	22×55	1.88	25×45	1.85				
390	22×55	1.98	25×45	1.91	30×35	1.80	35×30	1.68
	22×60	2.07	25×50	2.04				
470			25×55	2.21	30×40	2.02	35×30	1.69
							35×35	1.92
560			25×60	2.41	30×45	2.24	35×35	1.92
							35×40	2.15
680					30×50	2.41	35×40	2.16
					30×55	2.54	35×45	2.38
820					30×60	2.77	35×45	2.36
							35×50	2.59
1000							35×55	2.78
							35×60	2.90

↑  
Ripple Current (A r.m.s./120Hz, 105°C)  
↑  
Case Size φD×L(mm)