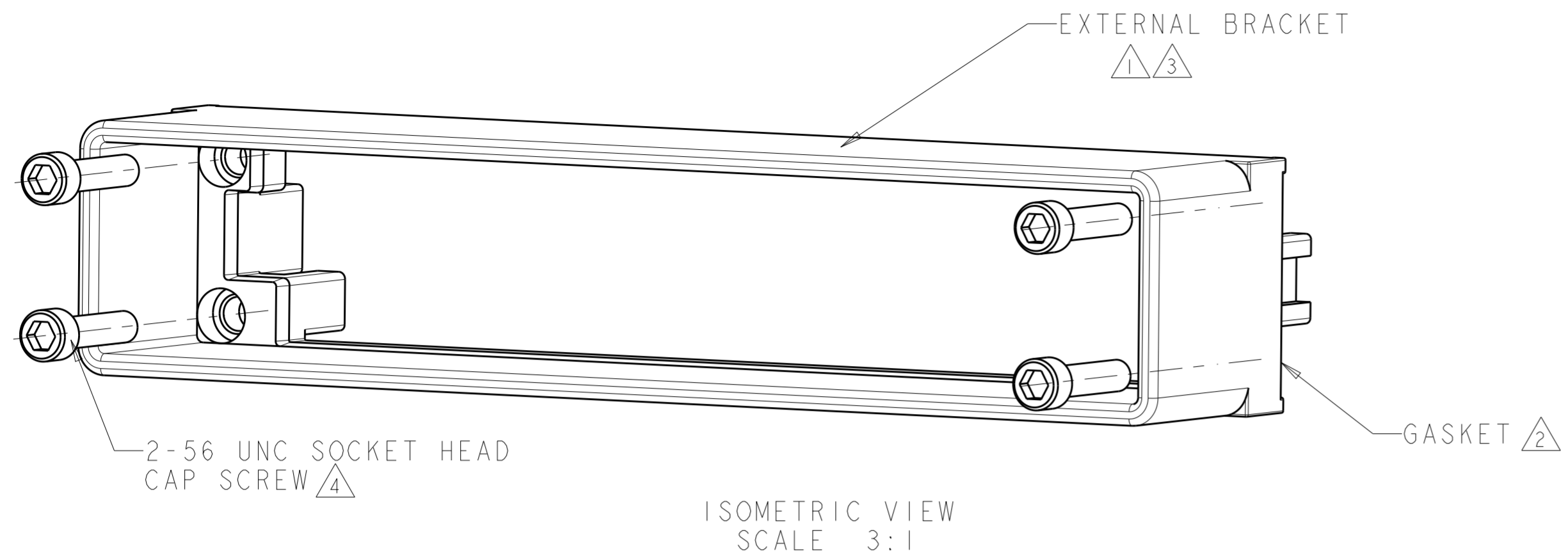
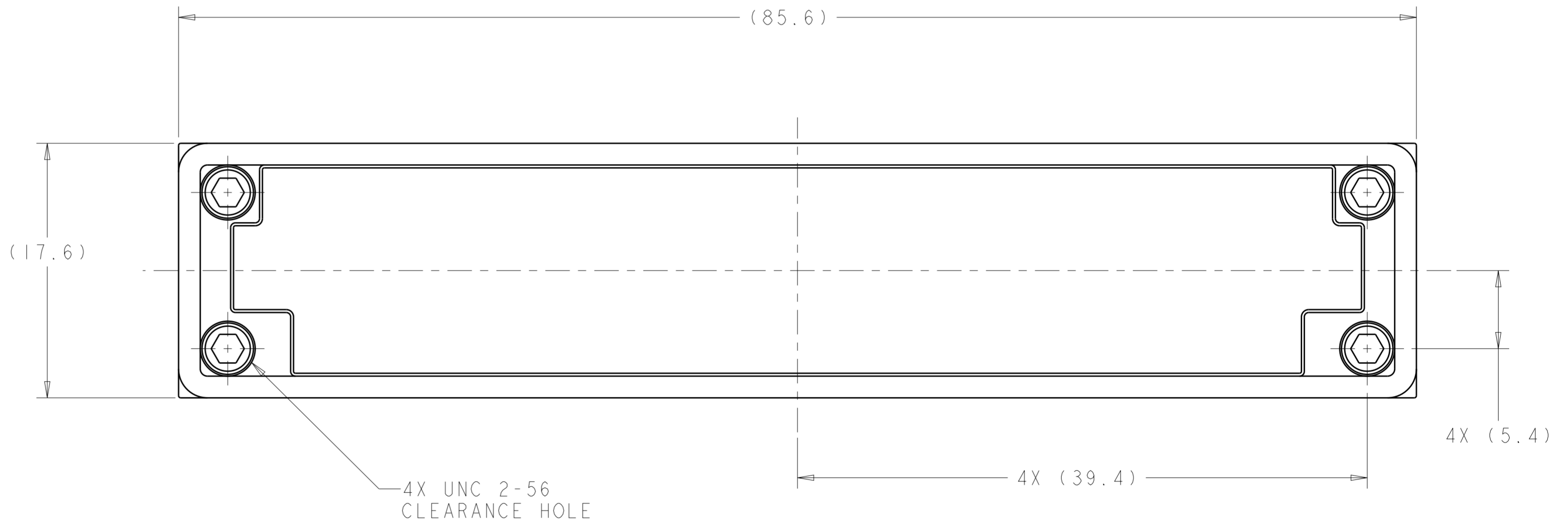
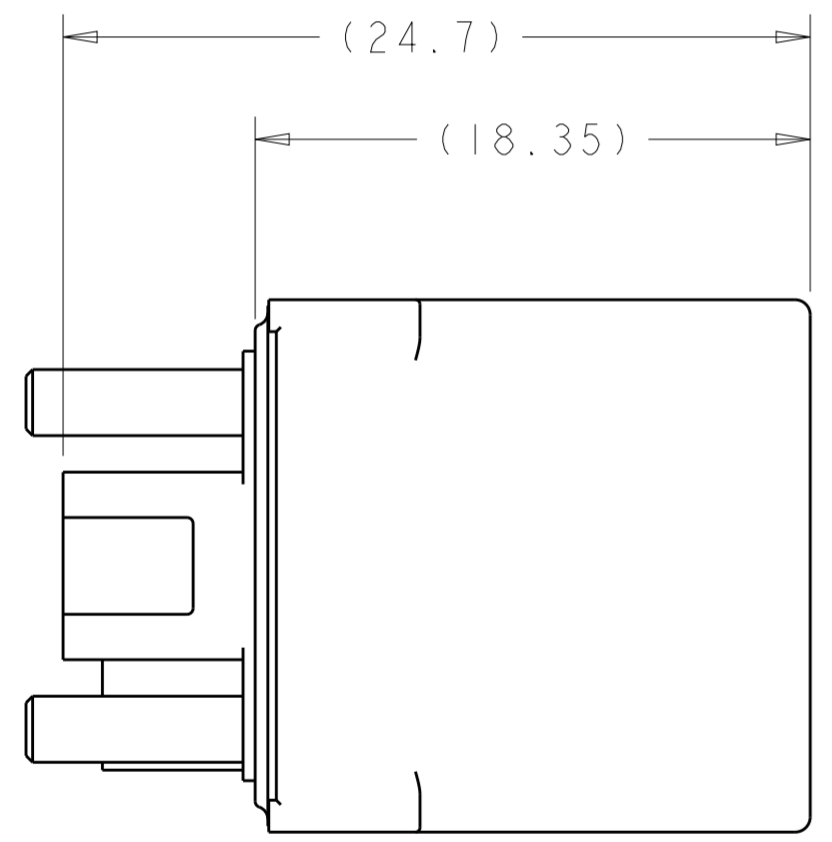


THIS DRAWING IS UNPUBLISHED. RELEASED FOR PUBLICATION 20
 © COPYRIGHT 20 BY - ALL RIGHTS RESERVED.

LOC	DIST	REVISIONS					
GP	00	P	LTR	DESCRIPTION	DATE	DWN	APVD
		B		REVISED PER ECO-12-021786	04MAR2013	CJV	MRS



- △ MATERIAL: ZINC ALLOY PER ASTM B 86. ALLOY AG40A.
- △ MATERIAL: CHOMERICS CHO-SEAL 1270, SILVER PLATED COPPER IN SILICONE.
- △ FINISH: 1.27µm MIN NICKEL PLATE PER QQ-N-290 OVER 5.08µm MIN COPPER PLATE PER AMS 2418.
- △ MATERIAL: STAINLESS STEEL



2169710-1
PART NUMBER

THIS DRAWING IS A CONTROLLED DOCUMENT. DIMENSIONING AND TOLERANCING PER ASME Y14.5M-2009		DWN B. MATTHEWS 22DEC2010	TE Connectivity	
DIMENSIONS: mm		CHK M. SCHMITT 22DEC2010		
TOLERANCES UNLESS OTHERWISE SPECIFIED:		APVD M. SCHMITT 22DEC2010	NAME EXTERNAL BRACKET ASSEMBLY KIT, CFP PLUGGABLE	
0 PLC ±	1 PLC ±	PRODUCT SPEC 108-2399	SIZE CAGE CODE DRAWING NO RESTRICTED TO	
2 PLC ±	3 PLC ±	APPLICATION SPEC 114-13263	A200779 C-2169710	
4 PLC ±	ANGLES ±	WEIGHT	SCALE 4:1 SHEET 1 OF 1 REV B	
MATERIAL	FINISH	CUSTOMER DRAWING		