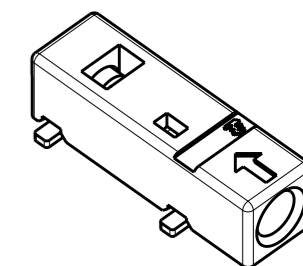
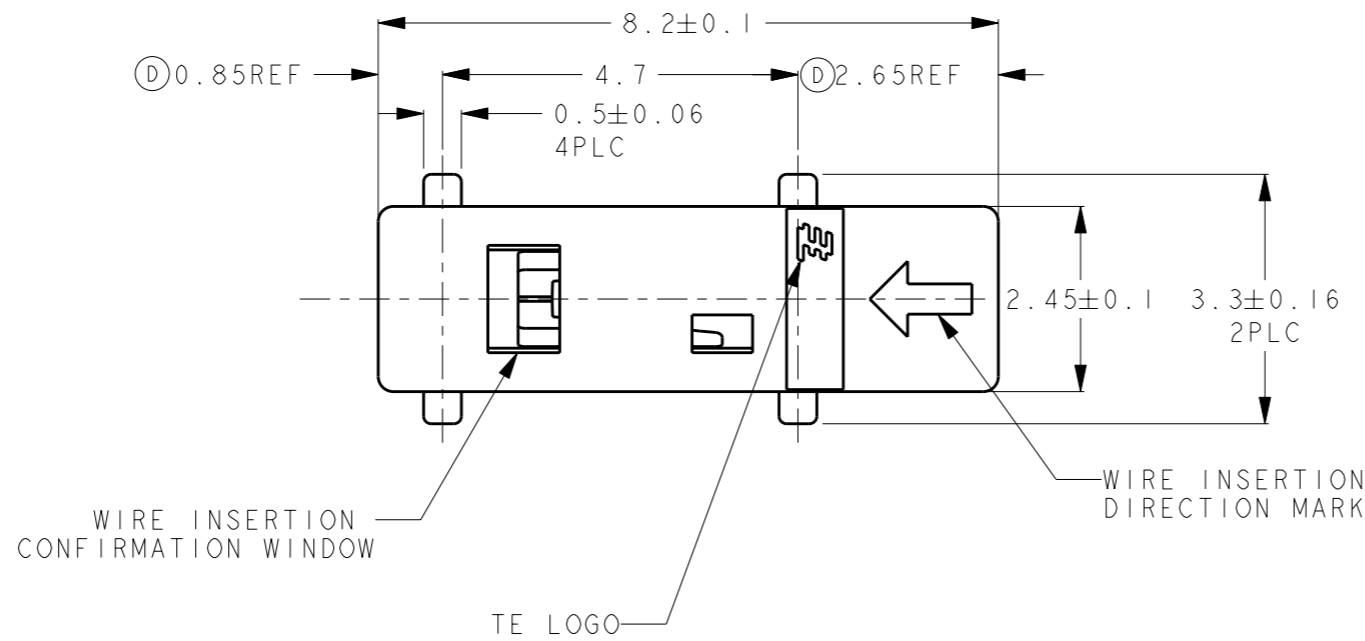
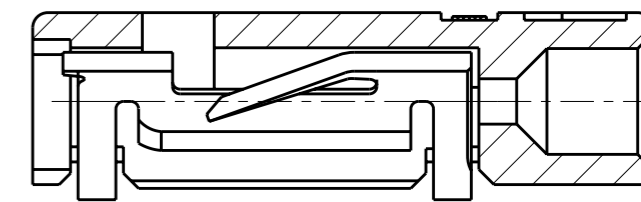
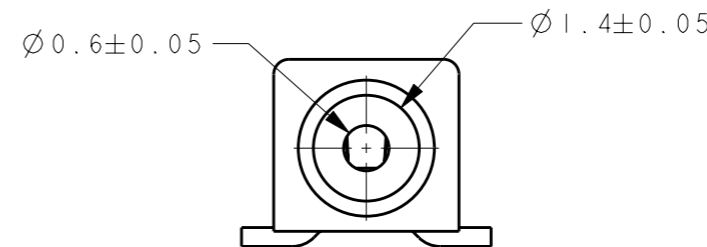
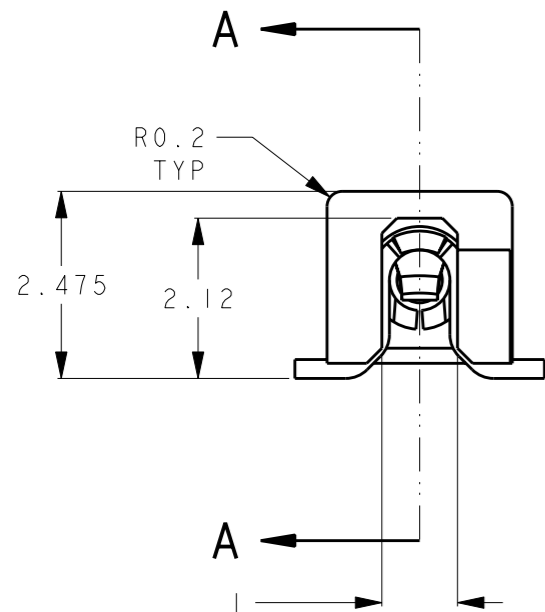


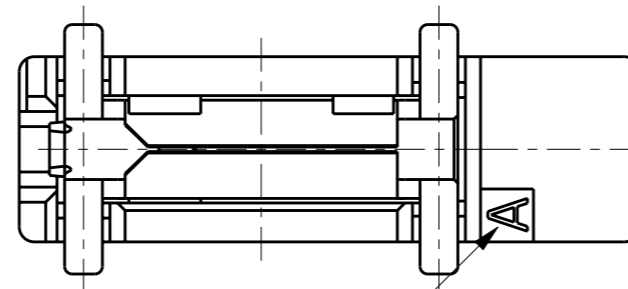
LOC	DIST	REVISIONS			
P	LTR	DESCRIPTION	DATE	DWN	APVD
J	-	C	REVISED	11MAY2011	T.N E.T
		D	REVISED	19JUL2011	T.N N.Y
		E	REVISED	27DEC2011	T.N N.Y
		F	REVISED	04JUL2012	H.M N.Y



SCALE 5:1




A - A



CAVITY MARK

- (B) 1. APPLICABLE WIRES: AWG#24 SOLID TIN COATING
AWG#26 SOLID TIN COATING
2. ABOUT HSG VISUAL STANDARD : TO CONFORM TYCO ELECTRONICS JAPAN G.K. INTERNAL RULE.
- 3. MATERIAL
-HOUSING : LCP UL94V-0,
COLOR : NATURAL
-CONTACT : COPPER ALLOY, TIN PLATED ALL OVER UNDER NICKEL PLATED.
- 4. COPLANARITY : 0.1mmMAX(INITIAL).
- (B) 5 REFERENTIAL VACUUM AREA:SEE FIG 4
- (C) 6 REFER FIG.1 AS DATE CODE MARKING POSITION AND AREA.
DATE CODE IS MARKED AT ONE SURFACE OR SEVERAL SURFACE.
- (E) 7. UL FILE NO. : E28476

THIS DRAWING IS A CONTROLLED DOCUMENT.		DWN T. NAGASAKI 16JUL2010	 TE Connectivity		
DIMENSIONS: mm		CHK E. TAKEMASA 16JUL2010			
TOLERANCES UNLESS OTHERWISE SPECIFIED: ± 0.2		APVD E. TAKEMASA 16JUL2010	NAME MICRO POKE IN IP ASSEMBLY		
0 PLC \pm 1 PLC \pm 2 PLC \pm 3 PLC \pm 4 PLC \pm ANGLES $\pm 3^\circ$		PRODUCT SPEC 108-78810	RESTRICTED TO		
MATERIAL		APPLICATION SPEC 114-5482	SIZE A3	CAGE CODE 00779	DRAWING NO C-2134611
FINISH		WEIGHT 0.0827g	SCALE 10:1	SHEET 1	OF 3
		CUSTOMER DRAWING	REV F		

THIS DRAWING IS UNPUBLISHED. RELEASED FOR PUBLICATION 20
 © COPYRIGHT 20 BY - ALL RIGHTS RESERVED.

LOC	DIST	REVISIONS				
P	LTR	DESCRIPTION	DATE	DWN	APVD	
J	-	SEE SHEET 1	-	-	-	

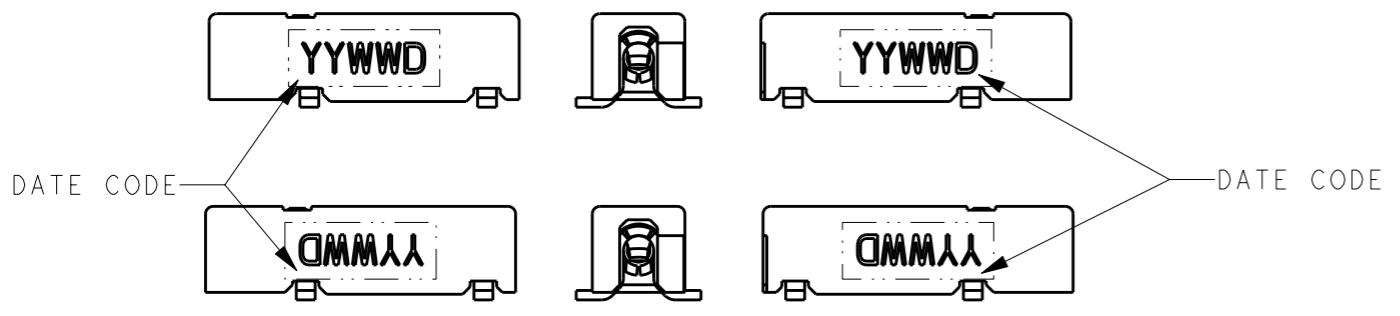


FIG. 1 DATE CODE MARKING POSITION AND AREA

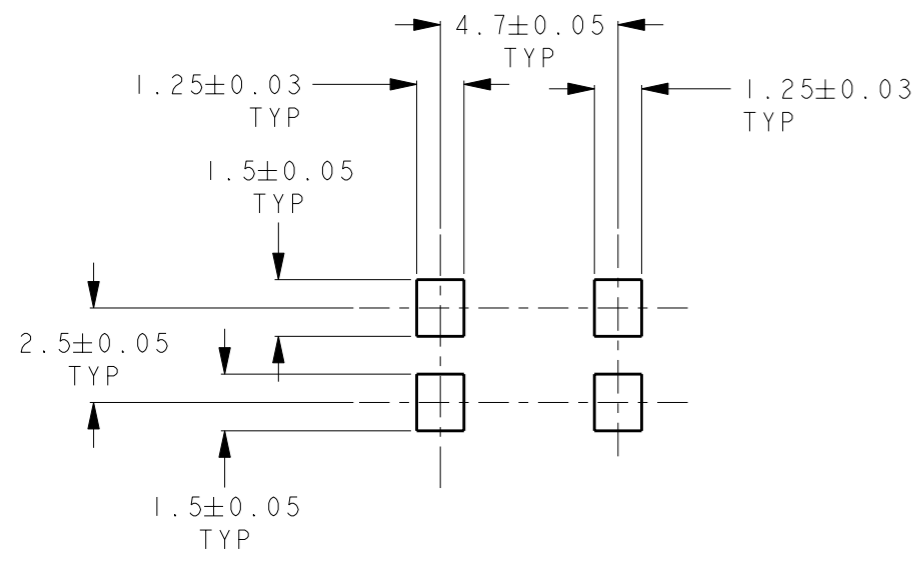


FIG. 2 REFERENTIAL P.C.B LAYOUT

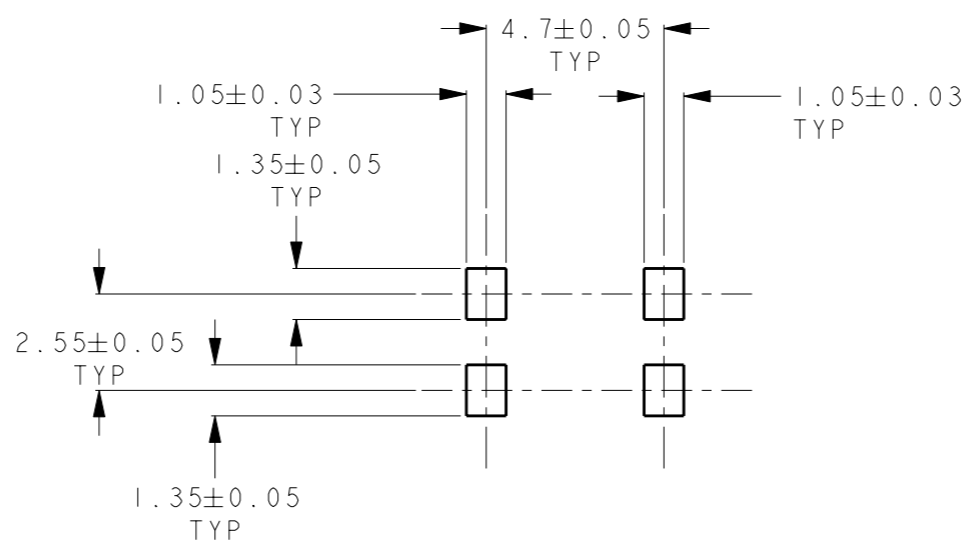


FIG. 3 REFERENTIAL METAL MASK PAD OPENING
 REFERENTIAL METAL MASK THICKNESS IS 0.15mm

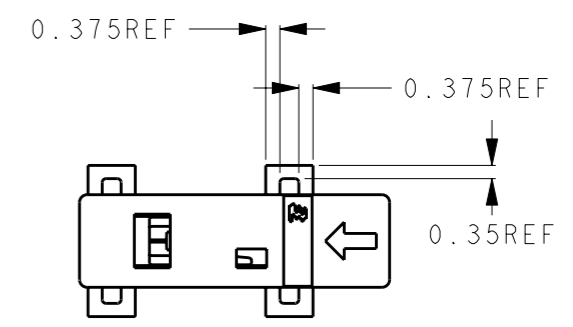


FIG. 5 REFERENTIAL CONNECTOR PLACEMENT

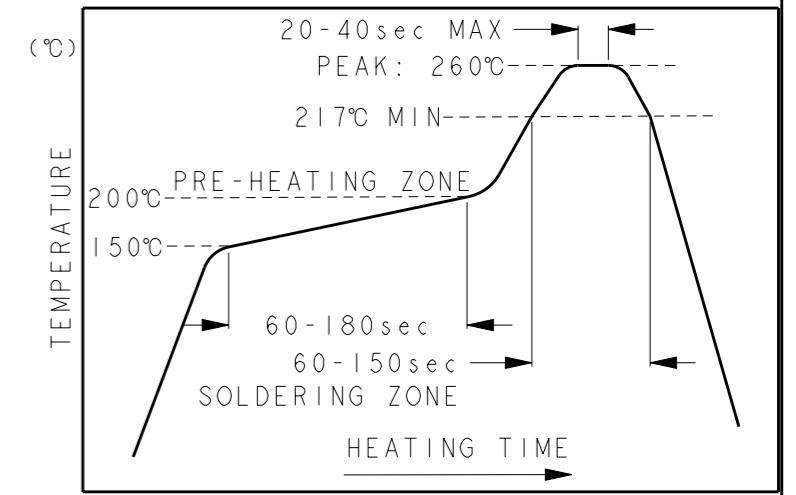


FIG. 6 REFERENTIAL REFLOW TEMPERATURE PROFILE
 (BASED ON IPC/JEDEC J-STD-020C)

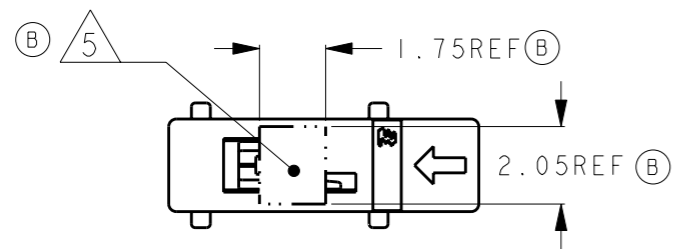


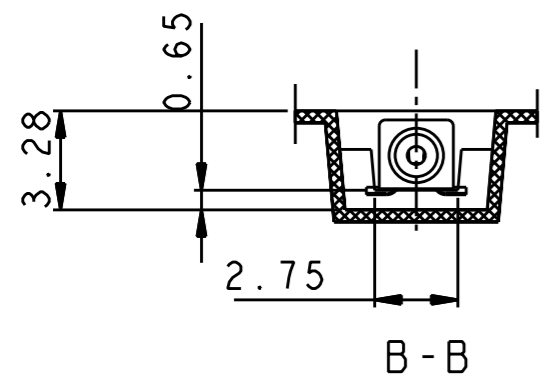
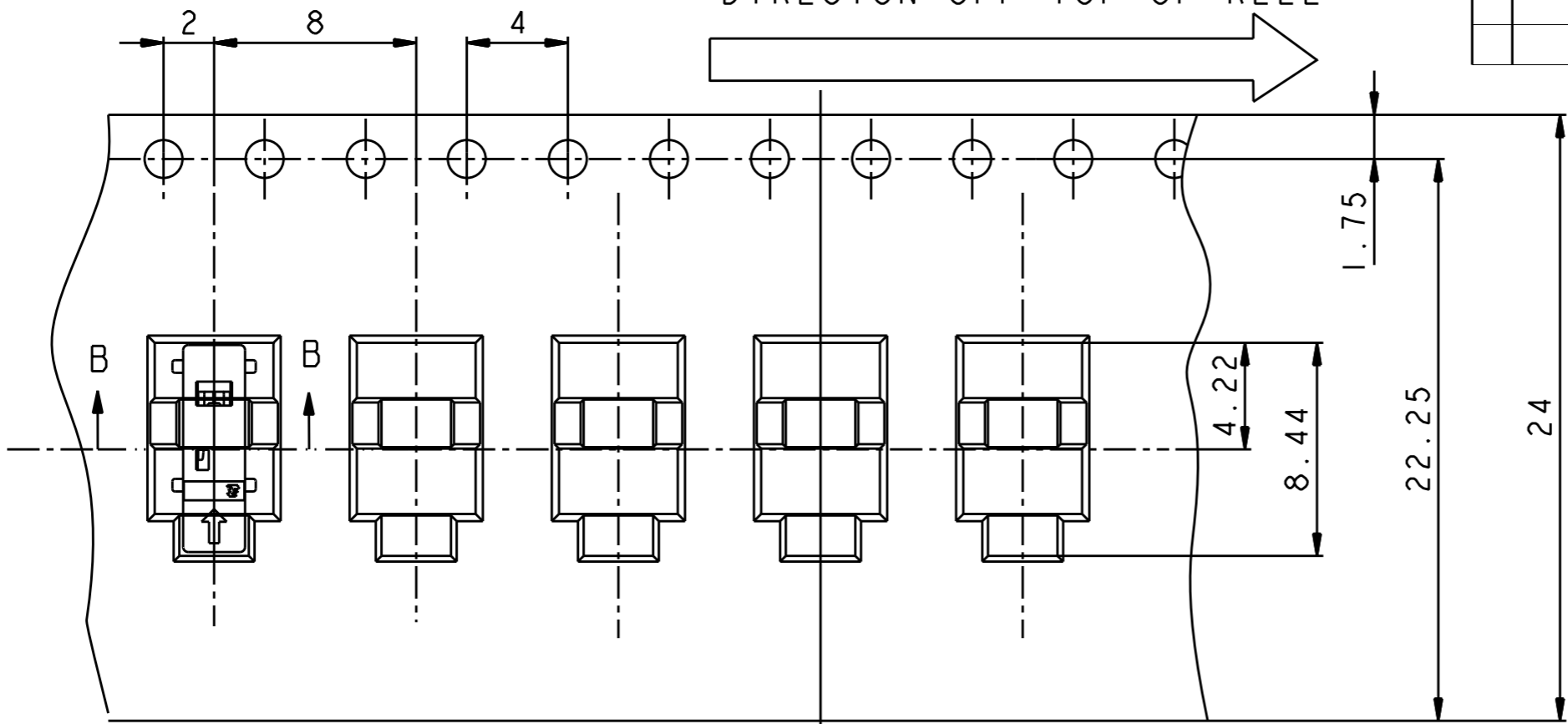
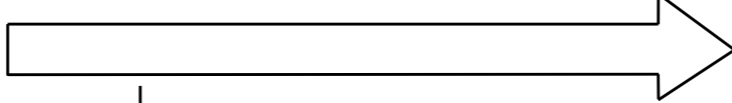
FIG. 4 REFERENTIAL VACUUM AREA

THIS DRAWING IS A CONTROLLED DOCUMENT.		DWN	TE Connectivity			
DIMENSIONS: mm		CHK				
TOLERANCES UNLESS OTHERWISE SPECIFIED: ±0.2		APVD	NAME			
0 PLC ± 1 PLC ± 2 PLC ± 3 PLC ± 4 PLC ± ANGLES ±3°		PRODUCT SPEC	MICRO POKE IN IP ASSEMBLY			
MATERIAL		APPLICATION SPEC	SIZE	CAGE CODE	DRAWING NO	RESTRICTED TO
FINISH		WEIGHT	A3	00779	C-2134611	-
CUSTOMER DRAWING		SCALE	5:1	SHEET	2 OF 3	REV
						F

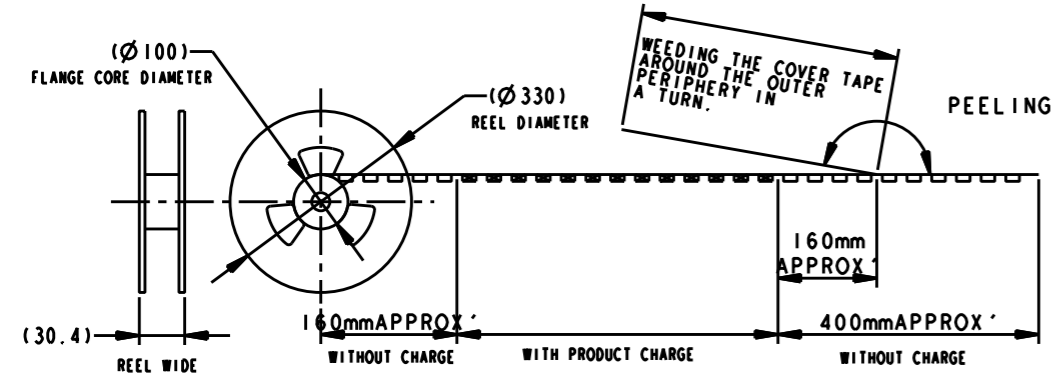
THIS DRAWING IS UNPUBLISHED. RELEASED FOR PUBLICATION 20
 © COPYRIGHT 20 BY - ALL RIGHTS RESERVED.

LOC	DIST	REVISIONS			
P	LTR	DESCRIPTION	DATE	DWN	APVD
J	-	SEE SHEET 1	-	-	-

DIRECTON OFF TOP OF REEL



- (APPLIED TO SHEET 3)
- 1. THE DIRECTION OF EACH CONNECTOR ON AN EMBOSS IS REFERRED TO THIS DRAWING.
 - ⓑ 2. REEL CONFIGURATION AND DIMENSIONS PER EIA 481-D
 - Ⓕ 3. EMBOSS TAPE COLOR : CLEAR



THIS DRAWING IS A CONTROLLED DOCUMENT.		DWN		TE Connectivity NAME MICRO POKE IN IP ASSEMBLY	
DIMENSIONS: mm		CHK			
TOLERANCES UNLESS OTHERWISE SPECIFIED:		APVD			
0 PLC ±0.5 1 PLC ±0.5 2 PLC ±0.5 3 PLC ±0.5 4 PLC ±0.5 ANGLES ±30°		PRODUCT SPEC			
MATERIAL		WEIGHT		APPLICATION SPEC	
FINISH		CUSTOMER DRAWING		RESTRICTED TO	
		SCALE NTS		SHEET 3 OF 3 REV F	